



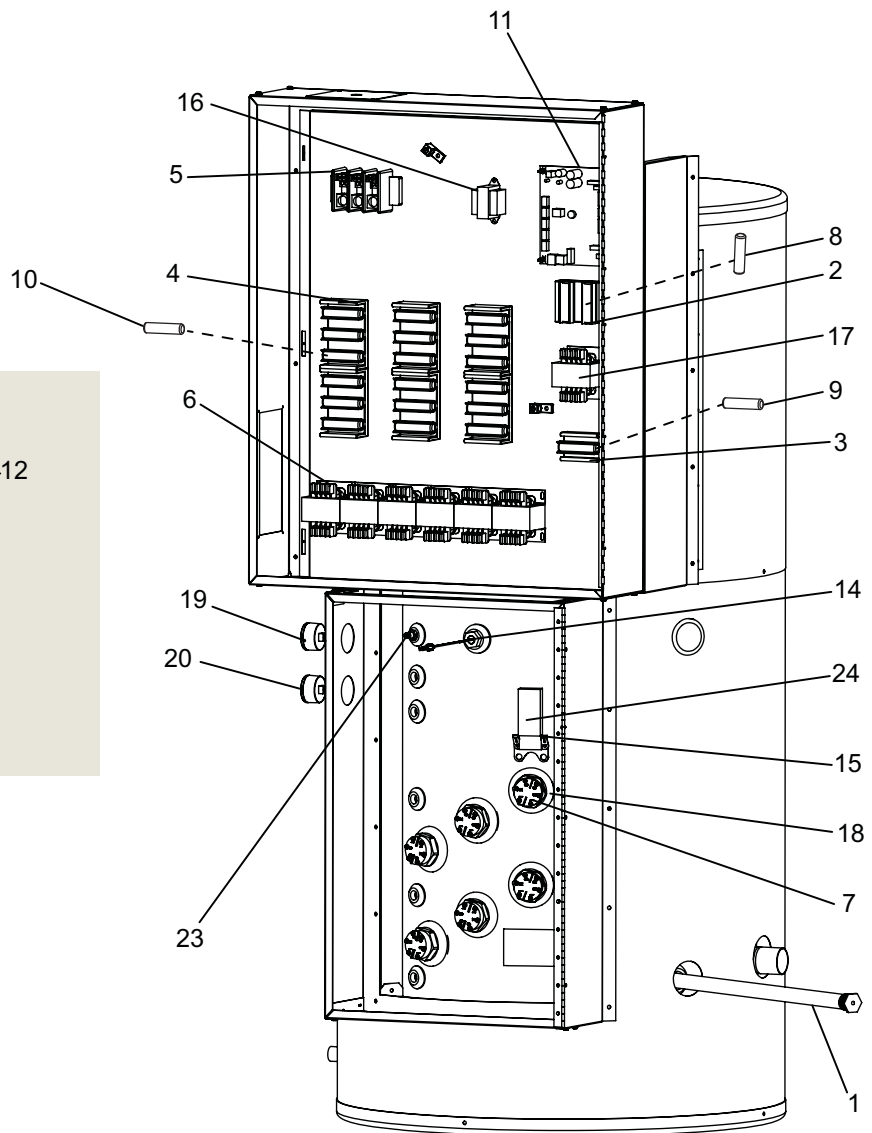
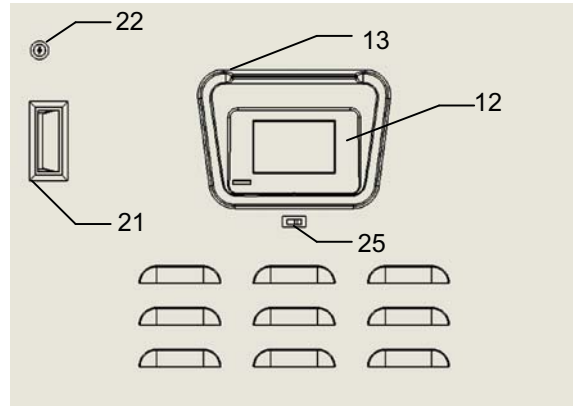
PARTS & SERVICE DEPARTMENT
 Nashville, Tennessee
 615-889-8900 • Fax: 615-882-2918
 parts_team@lochinvar.com
 www.Lochinvar.com

Replacement Parts List

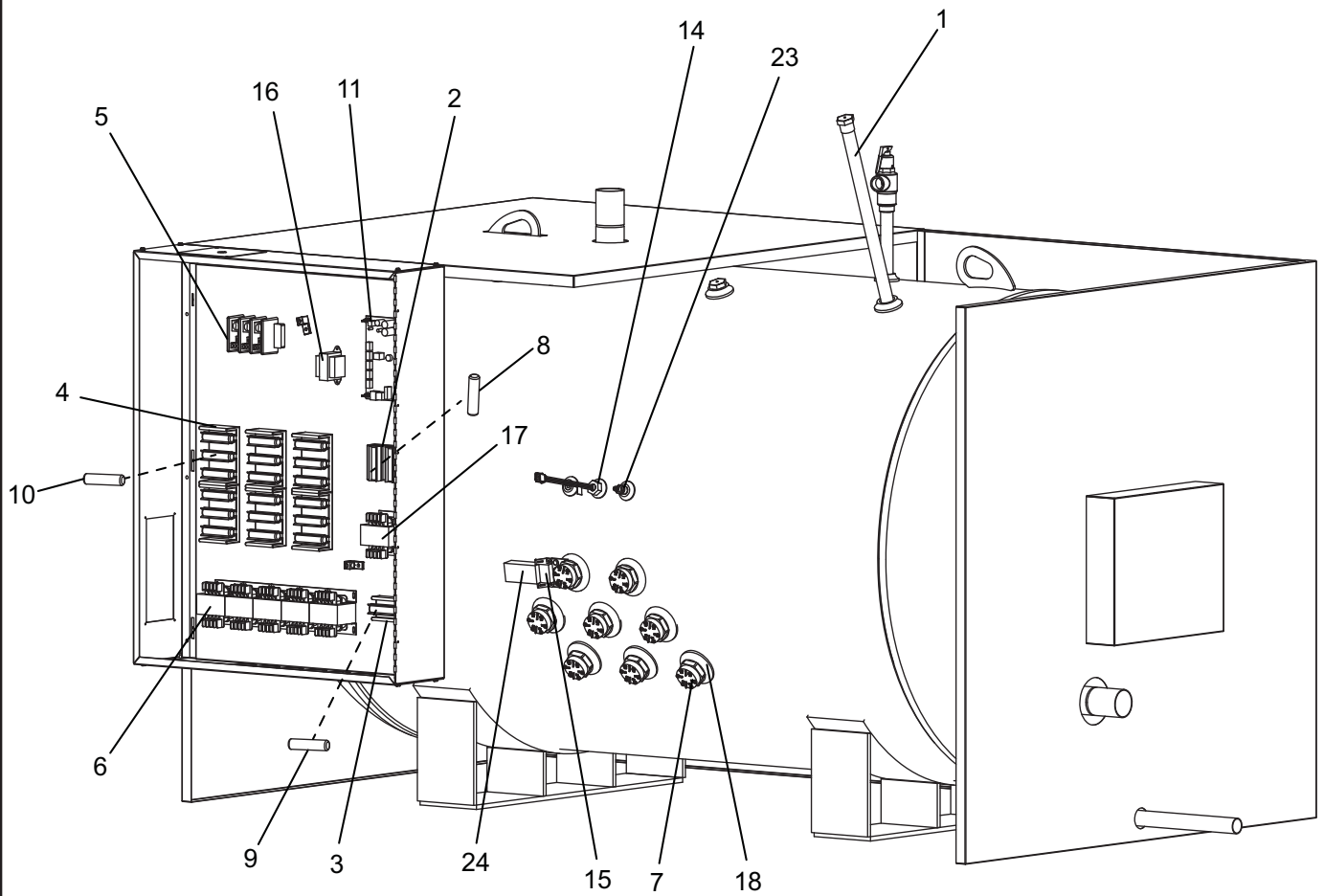
**Commercial Electric
 Custom Hi-Power®
 CHV and CHH 0150 - 1000**

CHV MODELS

PANEL DOOR VIEW



CHH MODELS



ITEM NO.	PART NO.	DESCRIPTION	MODEL NO.					
ANODE RODS								
1	100208654	ANODE ROD, 1" NPT X 24" LONG	CHV 150 GAL & 200 GAL (2 REQ) CHH 250 GAL & 300 GAL (3 REQ)					
1	100232745	ANODE ROD, 1" NPT X 36" LONG	CHV 500 - 600 GAL (3 REQ) CHH 400 - 600 GAL (3 REQ) CHV & CHH 800 - 1000 GAL (4 REQ)					
1	100208663	ANODE ROD, 1" NPT X 48" LONG	CHV & CHH 1250 - 1500 GAL (4 REQ)					
1	100173722	ANODE ROD, 1" NPT X 62" LONG	CHV 250 GAL & 300 GAL (1 REQ) CHV & CHH 2000 - 2500 GAL (4 REQ)					
1	100208664	ANODE ROD, 3/4" NPT X 52" LONG	CHV 400 GAL (2 REQ)					
FUSE BLOCKS								
2	100134585	FUSE BLOCK (PRIMARY CONTROL CIRCUIT)	600V, 30A*					
2	100134587	FUSE BLOCK (PRIMARY CONTROL CIRCUIT)	250V, 30A*					
3	100134586	FUSE BLOCK (SECONDARY CONTROL CIRCUIT)	ALL					
4	100134576	FUSE BLOCK	300V, 60A*					
4	100134577	FUSE BLOCK	600V, 60A*					
TERMINAL BLOCKS								
5	100134578	TERMINAL BLOCK	600V, 310A, 2 POLE					
5	100134580	TERMINAL BLOCK	600V, 175A, 3 POLE					
5	100134581	TERMINAL BLOCK	600V, 310A, 3 POLE					
5	100134582	TERMINAL BLOCK	600V, 380A, 3 POLE					
CONTACTORS								
6	100208805	CONTACTOR, 50 AMP	ALL					
SCREW-IN TYPE ELEMENTS - 1 1/2" NPT								
	WATTAGE	208 VOLT	240 VOLT	380 VOLT	400 VOLT	415 VOLT	480 VOLT	600 VOLT
		PART NO.	PART NO.	PART NO.	PART NO.	PART NO.	PART NO.	PART NO.
7	12000	100142621	100142620	100142627	100142595	100142624	100142619	100142633
7	15000	100142618	100142617	100142626	100142596	100142623	100142616	100442632
7	18000	100142615	N/A	100142622	100142597	100142625	100142613	100142631
FUSES								
8	100208810	FUSE, 600V (PRIMARY CONTROL CIRCUIT)	15 AMP*					
9	100146032	FUSE, 250V	15 AMP*					
10	100208813	FUSE, 300V	35 AMP*					
10	100146027	FUSE, 300V	40 AMP*					
10	100146028	FUSE, 300V	50 AMP*					
10	100208814	FUSE, 300V	60 AMP*					
10	100146020	FUSE, 600V	35 AMP*					
10	100208812	FUSE, 600V	40 AMP*					
10	100146022	FUSE, 600V	50 AMP*					
10	100146030	FUSE, 600V	60 AMP*					
THERMOSTATS								
11	100191726	BOARD, CONTROL	ALL					
12	100054257	BOARD, DISPLAY, COMMUNICATION	ALL					
13	100055737	BEZEL, DISPLAY	ALL					
14	100055771	PROBE, TEMPERATURE	ALL					
15	100148391	HI LIMIT	ALL					
TRANSFORMERS								
16	100055977	TRANSFORMER, 120-24V	ALL					
17	100170196	TRANSFORMER, 240/480-120V	UP TO 100VA					
17	100170195	TRANSFORMER, 240/480-120V	101-150VA					
17	100170194	TRANSFORMER, 240/480-120V	151-250VA					
17	100170198	TRANSFORMER, 240/480-120V	251-350VA					
PLEASE HAVE MODEL NUMBER AND SERIAL NUMBER WHEN ORDERING PARTS.								
*VOLTAGE AND AMPERAGE INFORMATION IS ON THE PART								

ITEM NO.	PART NO.	DESCRIPTION	MODEL NO.
TRANSFORMERS (CONTINUED)			
17	100170197	TRANSFORMER, 380/208-120V	UP TO 100VA
17	100170199	TRANSFORMER, 380/208-120V	101-250VA
17	100170202	TRANSFORMER, 415/600-120V	UP TO 50VA
17	100170203	TRANSFORMER, 415/600-120V	51 - 250VA
MISCELLANEOUS			
18	100208099	GASKET, ELEMENT SCREW-IN	ALL
19	100146974	GAUGE, TEMPERATURE 30 - 240°F	OPTIONAL
20	100146975	GAUGE, PRESSURE 0 - 160 PSI	OPTIONAL
21	100162622	HANDLE, DOOR	ALL
22	100163065	LOCK, KEY	ALL
23	100208662	PROBE, LWCO	ALL
23	100077601	PROBE, LWCO	OPTIONAL
23	100155464	PROBE, LWCO EXTENTION, 7-1/2"	OPTIONAL
24	100089388	COVER, HI LIMIT	ALL
25	100162634	PILOT SWITCH WITH LIGHT	ALL
-	100208445	RELIEF VALVE 125# W.P.	ALL
-	100208444	RELIEF VALVE 150# W.P.	OPTIONAL
-	100148421	HINGE	ALL
-	100163058	SAFETY DOOR INTERLOCK	OPTIONAL
-	100167652	RELAY, 120V (USED WITH MULTIPLE CONTROL BOARDS)	ALL
-	100055435	CABLE COMMUNICATION	ALL
-	100055820	OVERLAY DISPLAY	ALL
-	100173640	BOOT, LWCO	ALL
-	100170098	PUMP	CHH
-	100146294	GASKET, HAND HOLE 4" X 6", ONE BOLT	OPTIONAL
-	100208765	GASKET, MANWAY 11" X 15"	OPTIONAL
-	100208766	GASKET, MANWAY 12" X 16"	OPTIONAL
-	100163051	ALARM BELL	OPTIONAL
-	100233706	GASKET, SIX BOLT ASME	ALL
-	100162873	COVER, CLEANOUT SIX BOLT ASME	ALL
-	100163048	BLOCK-OFF PLATE, ELEMENT ACCESS SCREW-IN TYPE	ALL

PLEASE HAVE MODEL NUMBER AND SERIAL NUMBER WHEN ORDERING PARTS.

*VOLTAGE AND AMPERAGE INFORMATION IS ON THE PART