

Balanced Flue Direct Vent Residential Gas Water Heaters

Direct Vent / Sealed Combustion

Lochinvar's Balanced Flue models are available in capacities of 30 & 40 gallons and feature a sealed combustion direct vent system. All models meet or exceed the NAECA and ASHRAE Energy Efficiency Standards. All models are FVIR compliant.

Standard Features

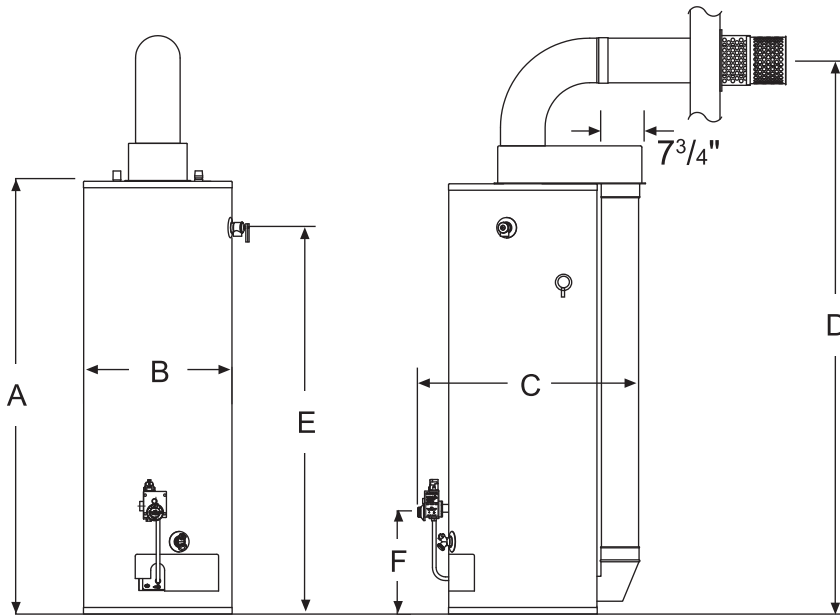
- **Sealed Combustion / Direct Vent System** - The co-axial vent rotates 360° providing installation flexibility. The concentric vent system draws all combustion air from outside the building through the outer pipe and exhausts the by-products of combustion through the inner pipe, of the two-pipe system, directly outdoors. The reinforced seals surrounding the combustion chamber and inner door prevent the ignition of flammable vapors outside the water heater.
- **Piezo Ignitor** - provides easy pilot ignition with the push of a button.
- **Low NOx Burner** - This whisper quiet, 360° burner incorporates aluminized steel into its die-formed design. The large burner diameter transfers more heat, while providing clean and efficient combustion. Satisfies local codes and emissions standards.
- **Non-CFC Foam Insulation** - Improved formulation provides uniform tank coverage with a thick blanket of insulating foam. This non-CFC polyurethane closed cell foam minimizes standby losses and maximizes heat retention.
- **Glass-Lined Steel Tank** - The tank is automatically formed, rolled, and welded to ensure a continuous seam for the glass lining. The durable glass lining is fused to the interior of the tank at 1600°F to assure lasting protection against rust and corrosion while providing clean, clear hot water.
- **Magnesium Tank Saver Anode** - High capacity anode rod provides protection from the effects of electrolytic corrosion.
- **Adjustable Thermostat** - This accurate control provides an easy way to reset water temperature for best economy. Automatic over-heat safety device is standard.
- **Heat Traps** - Factory installed, minimizes heat loss through piping.
- **Dielectric Nipples** - Factory installed waterways protect the tank from the corrosive action between dissimilar metals, while providing piping convenience.
- **Temperature & Pressure Relief Valve**
- **Brass Drain Valve**
- **6 Year Limited Warranty***
(See warranty for details)
- **10 Year Extended Warranty Available**
(In residential applications)

* 3 year limited warranty on tank and 1 year limited warranty on Parts when installed in commercial applications



All models include vent pipe and outside vent cap as shown in the images.

Dimensions and Specifications



Optional Vent Kits

Kit Number	Dimensions
DRH1145	4 - 8 ft
DRH1148	4-3/4" – 5-3/4"
DRH1149	6-1/2" – 9-1/4"
DRH1150	14" – 24"

Note: Proper installation permits a maximum vertical rise of 48" and a maximum horizontal run of 96".

FOR EASE IN ORDERING BY MODEL NUMBER

LB	N	040	G
Balanced Flue	Natural Gas	Gallon Capacity	MECA Compliant

This is a Balanced Flue, residential, natural gas 40 gallon water heater.

Model Number	Natural Gas			LP Gas		1st Hour Energy Factor	A	B	C	D	E	F	Vent Size*	Ship. Wt.
	Gal. Cap.	Btu/hr Input	GPH @ 90°F Rise	Input Btu/hr	GPH @ 90°F Rise									
LBN040G	40	38,000	41	36,000	39	0.59	49-3/4"	20"	31-1/4"	63-1/4"	43-1/2"	15"	3"/5"	162
LBN050G	50	42,000	45	40,000	43	0.58	58-3/4"	20"	31"	72-1/4"	52-1/4"	15"	3"/5"	181

Notes: Replace "N" with "L" for LP gas models.
 All LP models are equipped with a cast iron burner
 All gas connections are 1/2".
 All water connections are 3/4" NPT.
 Performance data is based on manufacturer test results.

*Internal exhaust vent is 3" diameter
 *External air intake is 5" diameter.

Certified for Potable Water and Space Heating Applications

This water heater is suitable for water heating and space heating. Toxic chemicals, such as those used for boiler water treatment shall NEVER be introduced into this system. This water heater may NEVER be connected to any existing heating system or components previously used with non-potable water heating appliances.



Lochinvar Corporation • 300 Maddox Simpson Pkwy • Lebanon, TN 37090 • 615-889-8900 / Fax: 615-547-1000
 www.Lochinvar.com