

Balanced Flue Direct Vent Residential Gas Water Heaters

Balanced Flue Direct Vent Models

Lochinvar's Balanced Flue Direct Vent residential gas models are available in 40 and 50 gallon capacities and feature a sealed combustion, direct vent system for sidewall or rooftop termination.

Standard Features

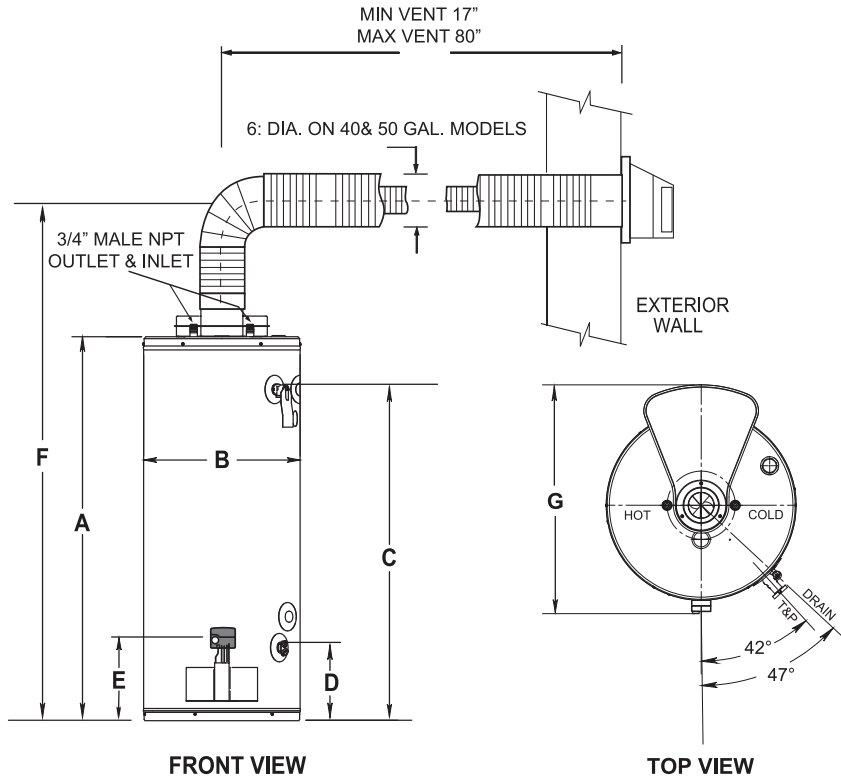
- **Code Compliance** – Complies with the Federal Energy Conservation Standards effective April 16, 2015, in accordance with the Energy Policy and Conservation Act, (EPCA), as amended.
- **Balanced Flue Direct Vent System** – This 2-pipe closed combustion system utilizes a vent to exhaust the byproducts of combustion and a separate air intake to provide fresh combustion air. Each model comes with the concentric vent pipe up to 80 inches plus termination cap. The design is also Flammable Vapor Ignition Resistant.
- **Electronic Gas Control** – The gas valve features electronic ignition, control logic for precise temperature control and an LED status indicator for simplified service diagnostics. The valve is powered by a thermopile pilot requiring no external power source.
- **Glass-Lined Steel Tank** – The durable glass lining is fused to the steel tank at 1600°F to assure lasting protection against rust and corrosion while providing clear, clean hot water. 300 PSI test pressure; 150 PSI working pressure.
- **Non-CFC Foam Insulation** – A uniform coverage of thick closed-cell foam insulation minimizes standby heat loss, maximizes heat retention and delivers a high Energy Factor.
- **Tank Saver Anode** – A large diameter, high capacity anode inhibits corrosion of the tank interior for long, trouble-free service.
- **Heat Trap** – Heat traps are built into the inlet and outlet connections to eliminate heat migration and heat loss in the water piping.
- **Sight Glass** – A built-in sight glass provides an unobstructed view of the burner and pilot flame.
- **Temperature & Pressure Relief Valve** – Factory installed for optimum safety.
- **Brass Drain Valve** – An enhanced ball valve design for effective drainage and positive shut-off.
- **6 Year Limited Tank & Parts Warranty*** – See warranty sheet for details.
- **10 Year Extended Warranty** – Available for residential applications only.

* 1-year limited tank & parts warranty when installed in a commercial application.



All models include vent pipe and outside vent cap as shown in the images.

Dimensions and Specifications



FOR EASE IN ORDERING BY MODEL NUMBER

G	B	N	050	40
Residential Gas	Balanced Flue	Natural Gas	Gallon Capacity	Btu/hr Input

This is a Balanced Flue, Direct Vent, natural gas 50 gallon water heater with 40,000 Btu/hr input.

Model Number	Nominal Gal. Cap.	Rated Storage Cap.	Btu/Hr Input	UEF	1st Hr. Rating	GPH @ 90°F Rise	A	B	C	D	E	F	G	Gas Conn.	Water Conn.	Coaxial Vent	Ship. Wt.
GBN040 40*	40	39	38,000	0.60	64	41	49-3/4"	22"	42-1/2"	15-1/4"	13-1/4"	64"	29"	1/2"	3/4"	3" vent/6" air	178
GBN050 40*	50	48	40,000	0.66	77	43	59"	22"	51-3/4"	15-1/4"	13-1/4"	73"	29"	1/2"	3/4"	3" vent/6" air	200
GBN050 50*	50	48	47,000	0.65	83	51	60"	22"	52-3/4"	15-1/4"	13-1/4"	74"	29"	1/2"	3/4"	3" vent/6" air	215

Notes: In the model number, "N" indicates Natural gas; replace "N" with "L" to indicate L.P. gas models.
 * Optional Side Tappings are available on these models. Add "ST" to the end of the model number (Ex: GBN04040ST)

Certified for Potable Water and Space Heating Applications
 This water heater is suitable for water heating and space heating. Toxic chemicals, such as those used for boiler water treatment shall NEVER be introduced into this system. This water heater may NEVER be connected to any existing heating system or components previously used with non-potable water heating appliances.



Lochinvar
 HIGH EFFICIENCY BOILERS & WATER HEATERS

Lochinvar, LLC
 300 Maddox Simpson Parkway
 Lebanon, Tennessee 37090
 P: 615.889.8900 / F: 615.547.1000
 f t in Lochinvar.com



