



**Lochinvar**<sup>®</sup>  
High Efficiency Water Heaters, Boilers and Pool Heaters

**DIRECT VENT GAS  
WATER HEATER  
Submittal Sheet**

**RBF-Sub-07**

**DIRECT VENT / BALANCED FLUE RESIDENTIAL GAS WATER HEATERS**

**JOB NAME** \_\_\_\_\_  
**LOCATION** \_\_\_\_\_  
**ARCH./ENGR.** \_\_\_\_\_  
**WHOLESALE** \_\_\_\_\_  
**MECH. CONTRACTOR** \_\_\_\_\_  
**MODEL NO.** \_\_\_\_\_  
**TYPE GAS** \_\_\_\_\_  
**Btu/hr INPUT** \_\_\_\_\_  
**RECOVERY RATE IN GPH** \_\_\_\_\_ @ \_\_\_\_\_ °F RISE  
**GALLON CAPACITY** \_\_\_\_\_  
**NOTES**

**Standard Features**

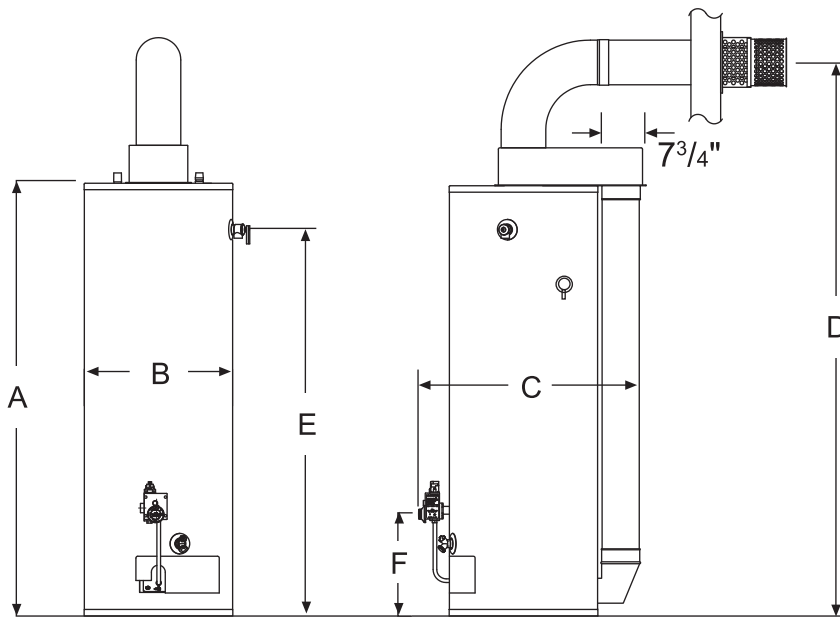
- Horizontal Venting
- Piezo Ignitor
- Low NOx Burner
- Non-CFC Foam Insulation
- Glass-Lined Steel Tank
- Large Access Door to Burner
- Adjustable Thermostat  
w/ Over-Heat Protection
- Factory Installed Heat Traps
- Factory Installed Dielectric Nipples
- Factory Installed T&P Relief Valve
- Magnesium Tank Saver Anode
- Acrylic Enamel Finished Steel Jacket
- Brass Drain Valve
- 6 or 10 Year Limited Tank Warranty  
(See warranty for details)

**Optional Equipment**

Place an X in the box by all options that apply

<u>Kit Number</u>	<u>Part Number</u>
4'-8' FT Extention	DRH1145
4-3/4" - 5-3/4" Extention	DRH1148
6-1/2" - 9-1/4" Extention	DRH1149
14" - 24" Extention	DRH1150

# Direct Vent / Balanced Flue Residential Gas Water Heater Dimensions & Specifications



### Optional Vent Kits

Kit Number	Dimensions
DRH1145	4 - 8 ft
DRH1148	4-3/4" - 5-3/4"
DRH1149	6-1/2" - 9-1/4"
DRH1150	14" - 24"

Note: Proper installation permits a maximum vertical rise of 48" and a maximum horizontal run of 96".

Model Number	Natural Gas			LP Gas		1st Hour Gals.	Energy Factor	A	B	C	D	E	F	Vent Size*	Ship. Wt.
	Gal. Cap.	Btu/hr Input	GPH @ 90°F Rise	Input Btu/hr	GPH @ 90°F Rise										
LBN040G	40	38,000	41	36,000	39	65	0.59	49-3/4"	20"	31-1/4"	63-1/4"	43-1/2"	15"	3"/5"	162
LBN050G	50	42,000	45	40,000	43	80	0.58	58-3/4"	20"	31"	72-1/4"	52-1/4"	15"	3"/5"	181

Notes: Replace "N" with "L" for LP gas models.  
 All LP models are equipped with a cast iron burner  
 All gas connections are 1/2".  
 All water connections are 3/4" NPT.  
 Performance data is based on manufacturer test results.

\*Internal exhaust vent is 3" diameter  
 \*External air intake is 5" diameter.



Lochinvar Corporation • 300 Maddox Simpson Pkwy • Lebanon, TN 37090 • 615-889-8900 / Fax: 615-547-1000  
[www.Lochinvar.com](http://www.Lochinvar.com)