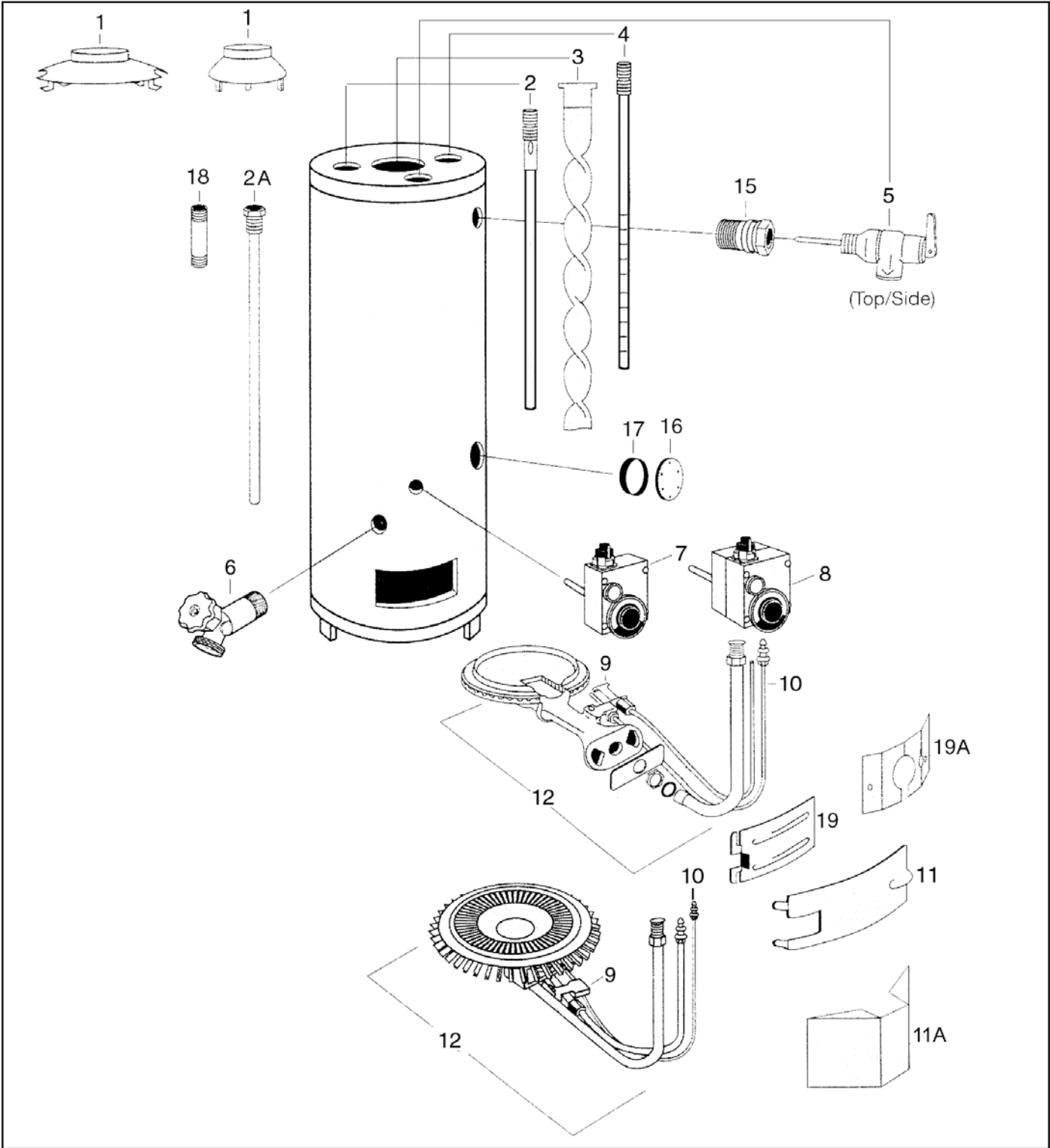




**PARTS & SERVICE DEPARTMENT**  
Nashville, Tennessee  
615-889-8900 • Fax: 615-547-1000  
www.Lochinvar.com

**Replacement Parts List**

**Residential Gas  
ES, ET, SS, ST, Models**  
\*From July 1986 (Serial # CG) to present



ITEM NO.	DESCRIPTION	MODEL/PART NUMBERS				
		ET(N,L)030 - 050 ES(N,L)030 - 040	ET(N,L)040-4	ET(N,L)050-4	ET(N,L)051	ET(N,L)065
1	DRAFT HOOD	DRH1020	DRH1021	DRH1021	DRH1021	DRH1021
2	ANODE, MAGNESIUM 3/4" DIA.	WTR1019	WTR1019	WTR1019	WTR1019	WTR1019
2	ANODE, ALUMINUM 3/4" DIA.	WTR1040	WTR1040	WTR1040	WTR1040	WTR1040
3	FLUE BAFFLE	*****SEE BELOW	JKT1011	JKT1011	JKT1011	JKT1011
4	DIP TUBE 3/4" DIA	WTR1018	WTR1018	WTR1018	WTR1018	WTR1018
5	T&P RELIEF VALVE	RLV1001	RLV1001	RLV1001	RLV1001	RLV1001
6	BRASS DRAIN VALVE	DRV1007	DRV1007	DRV1007	DRV1007	DRV1007
7	THERMOSTAT NATURAL	TST1114-K	TST1114-K	TST1114-K	TST1115	TST1116
8	THERMOSTAT LPG	TST1160	TST1160	TST1160	TST1125	TST1128
9	PILOT NATURAL	PLT1017	PLT1017	PLT1017	PLT1017	PLT1017
9	PILOT LPG	PLT1018	PLT1018	PLT1018	PLT1018	PLT1018
10	THERMOCOUPLE, NAT. & LPG	PLT1112	PLT1112	PLT1112	PLT1112	PLT1112
11	OUTER DOOR	JKT1049	JKT1049	JKT1049	JKT1049	JKT1049
17	INNER DOOR	JKT1109	JKT1109	JKT1109	JKT1109	JKT1109

		DD(N,L)050♦	DD(N,L)075♦	ET(N,L)075†	ET(N,L)076†	ET(N,L)100†
1	DRAFT HOOD	DRH1020	DRH1028	DRH1028	DRH1028	DRH1021
2	ANODE, MAGNESIUM 3/4" DIA.	WTR1019	-	WTR1019	-	-
2A	ANODE, MAGNESIUM 3/4" DIA HEX	-	WTR1013*	WTR1013	-	WTR1013
2A	ANODE, ALUMINUM 3/4" DIA.	WTR1040	-	WTR1040	-	-
2A	ANODE, ALUMINUM 3/4" DIA HEX	-	WTR1041	WTR1041	WTR1041	WTR1041
3	FLUE BAFFLE	JKT1052	JKT1056	JKT1070	JKT1070	-
4	DIP TUBE 3/4" DIA	WTR1018	WTR1018**	WTR1018	WTR1018	-
4	DIP TUBE 1" DIA	-	WTR1100**	WTR1100	WTR1100	-
4	DIP TUBE 1 1/4"	-	-	-	-	WTR1020
5	RELIEF VALVE	RLV1001	RLV1001	RLV1001	RLV1001	RLV1001
6	BRASS DRAIN VALVE	DRV1007	DRV1007	DRV1007	DRV1007	DRV1007
7	THERMOSTAT NATURAL	TST1127	TST1193	TST1116	TST1116	TST1193
8	THERMOSTAT LPG	TST1161	TST1161	TST1160	TST1160	TST1161
9	PILOT NATURAL	PLT1051	PLT1021	PLT1021	PLT1021	PLT1019
9	PILOT LPG	PLT1018	PLT1022	PLT1022	PLT1022	PLT1022
10	THERMOCOUPLE NATURAL	PLT1010	PLT1010	PLT1010	PLT1010	PLT1010
10	THERMOCOUPLE LPG	PLT1010	PLT1010	PLT1010	PLT1010	PLT2005
11	OUTER DOOR (BEFORE SERIAL # SG)	JKT1049	-	JKT1049 ***	-	-
11A	OUTER DOOR (AFTER SERIAL # SG)	-	JKT1028	JKT1028 ***	JKT1028	JKT1028
13	T&P EXTENDER	-	-	-	-	MSC1060
14	HANDHOLE PLATE	-	-	-	-	WTR1016 ***
15	O RING CLEANOUT GASKET	-	-	-	-	GKT1010 ****
16	NIPPLE OUTLET 1"	-	WTR1048	WTR1048	WTR1048*	-
16	NIPPLE OUTLET 1" 1/4	-	-	-	-	WTR1050
17	INNER DOOR (BEFORE SERIAL # SG)	JKT1109	-	JKT1109 ***	-	-
17A	INNER DOOR (AFTER SERIAL # SG)	-	JKT1110	JKT1110 ***	JKT1110	JKT1110

REPLACE "E" WITH "S" TO INDICATE 10 YEAR TANK WARRANTY MODEL.

\*USE 3/4" WTR1019 NIPPLE/ANODE BEFORE SERIAL NUMBER SG, USE 3/4" WTR1013 ANODE & 1" WTR1048 NIPPLE AFTER SERIAL NUMBER SG

\*\*USE 3/4" WTR1018 DIP TUBE BEFORE SERIAL NUMBER SG, USE 1" WTR1100 DIP TUBE AFTER SERIAL SG

\*\*\*USE JKT1049 (OUTER) & JKT1109 (INNER) BEFORE SERIAL SG, USE JKT1028 (OUTER) & JKT1110 (INNER) AFTER SERIAL NUMBER SG

\*\*\*\*USE JKT1005 FOR ES(N,L)030; USE JKT1013 FOR ET(N,L)030; USE JKT1010 FOR ES(N,L)040; USE JKT1008 FOR ET(N,L)040; USE JKT1009 FOR ET(N,L)050

†INDICATES MODELS EQUIPPED WITH SIDE TAPPINGS FOR SPACE HEATING APPLICATIONS

♦ INDICATES MODELS EQUIPPED FOR DOMESTIC HOT WATER AND SPACE HEATING APPLICATION (DOUBLE DUTY)

#### LPG BURNER ASSEMBLIES

		ETL030 ESL030	ETL040 ETL040-4	ESL040 ETL050 ETL050-4	ETL051 ETL065	ETL 075 ETL076
12	BURNER ASSEMBLY LPG	BNR1213	BNR1214	BNR1215	BNR1215	BNR1216
12	BURNER ASSEMBLY LPG	ETL100	DDL050	DDL075		
12	BURNER ASSEMBLY LPG	BNR1141	BNR1215	BNR1216		

#### NAT BURNER ASSEMBLIES

		ESN030 ETN040 ETN030	ESN040 ETN050 ETN040-4	ESN040 ETN050 ETN050-4	ETN051 ETN065	ETN075 ETN100
12	BURNER ASSEMBLY NAT	BNR1203	BNR1204	BNR1205	BNR1206	BNR1240
12	BURNER ASSEMBLY NAT	ETN - 100	DDN050	DDN075		
12	BURNER ASSEMBLY NAT	BNR1265	BNR1205	BNR1265		

PLEASE PROVIDE MODEL & SERIAL NUMBER WHEN ORDERING PARTS.