



Large Capacity Gas Water Heaters

Large Capacity Models

Lochinvar's Large Capacity gas models are available in 75 and 100 gallon capacities for residential and light commercial applications.

Standard Features

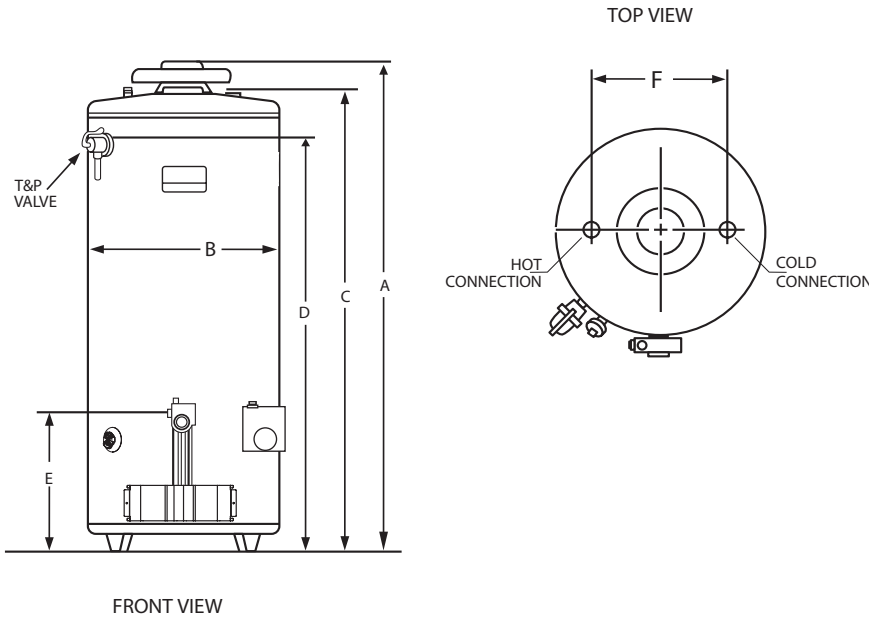
- **Code Compliance** – Complies with the Federal Energy Conservation Standards effective April 16, 2015, in accordance with the Energy Policy and Conservation Act, (EPCA), as amended.
- **Gas Control** – The gas valve features simple operation, accurate temperature control and a push-button piezo igniter. The valve is powered by a thermopile pilot requiring no external power source.
- **Glass-Lined Steel Tank** – The durable glass lining is fused to the steel tank at 1600°F to assure lasting protection against rust and corrosion while providing clear, clean hot water. 300 PSI test pressure; 150 PSI working pressure.
- **Non-CFC Foam Insulation** – A uniform coverage of thick closed-cell foam insulation minimizes standby heat loss and maximizes heat retention.
- **Tank Saver Anode** – A large diameter, high capacity anode inhibits corrosion of the tank interior for long, trouble-free service.
- **Temperature & Pressure Relief Valve** – Factory installed for optimum safety.
- **Brass Drain Valve** – An enhanced ball valve design for effective drainage and positive shut-off.
- **6 Year Limited Tank & Parts Warranty*** – See warranty sheet for details.
- **10 Year Extended Warranty** – Available for residential applications only.

*1-year limited tank & parts warranty when installed in a commercial application.



All models meet or exceed Federal and ASHRAE Energy Efficiency Standards

Dimensions and Specifications:



**FOR EASE IN ORDERING
BY MODEL NUMBER**

L	T	N	075	75
Residential Gas	Tall	Natural Gas	Gallon Capacity	Input Rate

This is a tall residential natural gas 75 gallon water heater with 75,100 Btu/Hr input rate.

Model Number	Nominal Gallon Cap.	Rated Storage Cap.	Nat. Gas Btu/Hr Input	LP Gas Btu/Hr Input	UEF	1st Hr Rating	GPH @ 90°F Rise	A	B	C	D	E	F	Gas Conn.	Water Conn.	Vent Size	Ship. Wt.
Large Capacity Models																	
LTN075 75*	74	71	75,100	75,100	0.60	125	81	61"	26-1/2"	58-1/2"	50-1/4"	15-1/4"	16"	1/2"	1"	4"	275
LTN100 75	98	95	75,100	75,100	0.58	170	81	68-1/2"	27-3/4"	66-1/2"	57-1/2"	15-1/4"	16"	1/2"	1-1/4"	4"	350

*Notes: In the model number, "N" indicates Natural gas; replace "N" with "L" to indicate L.P. gas models.
In the model number, change "L" to "X" for 10-year tank and 6-year parts warranty.
* Optional Side Tappings are available on the LTN07575 models only. Add "ST" to the end of the model number (Ex: LTN07575ST).*

Certified for Potable Water and Space Heating Applications

This water heater is suitable for water heating and space heating. Toxic chemicals, such as those used for boiler water treatment shall NEVER be introduced into this system. This water heater may NEVER be connected to any existing heating system or components previously used with non-potable water heating appliances.



Lochinvar, LLC
300 Maddox Simpson Parkway
Lebanon, Tennessee 37090
P: 615.889.8900 / F: 615.547.1000
Lochinvar.com

