



Lochinvar[®]
HIGH EFFICIENCY BOILERS & WATER HEATERS

**SOLUTION™
BOILER
Submittal Sheet
RSB-Sub-06a**

SOLUTION™ GAS FIRED HEATING BOILERS

JOB NAME _____

LOCATION _____

ENGINEER _____

MECH. CONTRACTOR _____

MODEL NO. _____

TYPE GAS _____

Btu/hr INPUT _____ **Btu/hr OUTPUT** _____

NOTES

Standard Features

- ASME Copper Finned Tube Heat Exchanger
- Gasketless Heat Exchanger Design
- Built-In Performance Loop
- Vertical Water Connections
- 24 Volt Control System
- Self Diagnostic Ignition Control
- Terminal Strip
- Intermittent Electronic Ignition
- Two Stage Solid State Temperature Control
- Outdoor Reset with Outdoor Sensor
- Domestic Hot Water Prioritization
- Two Stage Gas Valve w/ Built In Manual Shut-Off
- 160 PSI Working Pressure
- Pump Relay
- Automatic Reset High Limit
- ASME Pressure Relief Valve
- Temperature & Pressure Gauge
- Automatic Vent Damper
- Built-In Draft Diverter
- Stainless Steel Burners
- Loch-Heat Ceramic Tile Combustion Chamber
- CSA Design Certified for Installation on Combustible Floors
- CSA Design Certified for Alcove Installation
- 20 Year Limited Warranty on the Heat Exchanger (see warranty for details)
- 2 Year Parts Warranty

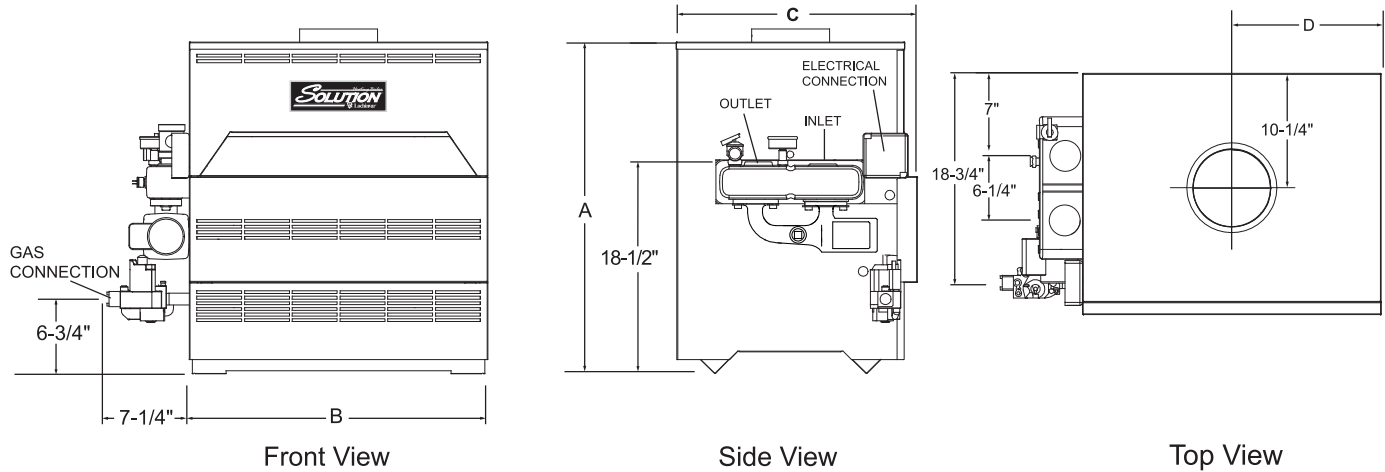
Optional Equipment

- Adjustable High Limit w/ Manual Reset
- Flow Switch
- Low Water Cut-Off
- Stack Frame
- Pump Delay w/ Freeze Protection
- MP2 Sequencer
- PVC/CPVC Venting Kit (CB 45-135)
- O2 Barrier Waterways

Firing Control Systems

- M9 Two Stage, Intermittant Spark Ignition (Standard)
- M7 California Code (CB 215-260 only)

Solution Gas Fired Heating Boiler Dimensions & Specifications



Model Number	Input MBH	AFUE %	Heating Net AHRI		A	B	C	D	Gas Conn.	Vent Size	Shipping Weight
			Capacity MBH	Rating MBH							
CBN045	45	84.0	37	32	29-1/2"	11-1/2"	21-1/2"	5-3/4"	1/2"	4"	145
CBN075	75	84.0	62	54	29-1/2"	15-1/2"	21-1/2"	7-3/4"	1/2"	5"	155
CBN090	90	84.0	75	65	29-1/2"	15-1/2"	21-1/2"	7-3/4"	1/2"	5"	155
CBN135	135	84.0	112	97	29-1/2"	19-1/2"	21-1/2"	9-3/4"	1/2"	6"	175
CBN180	180	84.0	149	130	29-1/2"	23-1/2"	21-1/2"	11-3/4"	3/4"	7"	195
CBN215	215	84.0	178	155	29-1/2"	26-1/2"	21-1/2"	13-1/4"	3/4"	7"	220
CBN260	260	84.0	216	188	29-1/2"	29-1/2"	21-1/2"	14-3/4"	3/4"	8"	225

Notes: Change 'N' to 'L' to denote L.P. gas models
 Net ratings based on piping and pick-up allowance of 1.15
Electrical Requirements: 120 VAC / 2 AMP
 Approved for indoor installation only
 Water connections are 1-1/2" NPT
 Performance data based on manufacturer test results.



Lochinvar, LLC
 300 Maddox Simpson Parkway
 Lebanon, Tennessee 37090
 P: 615.889.8900 / F: 615.547.1000
 www.Lochinvar.com

