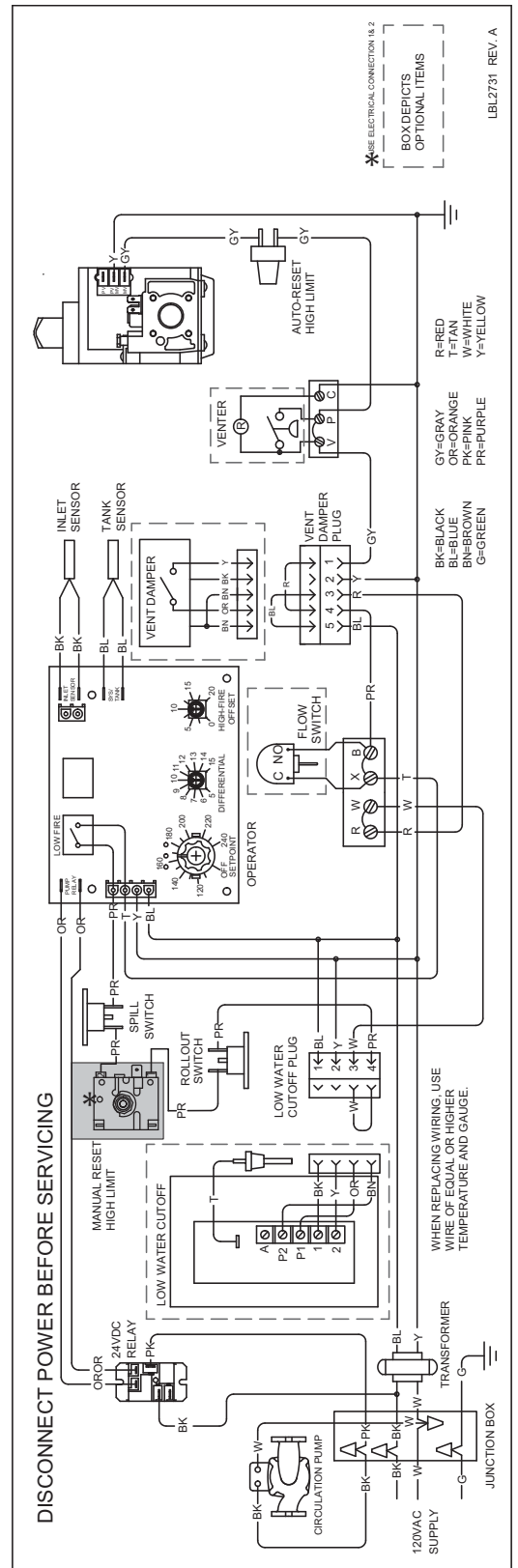
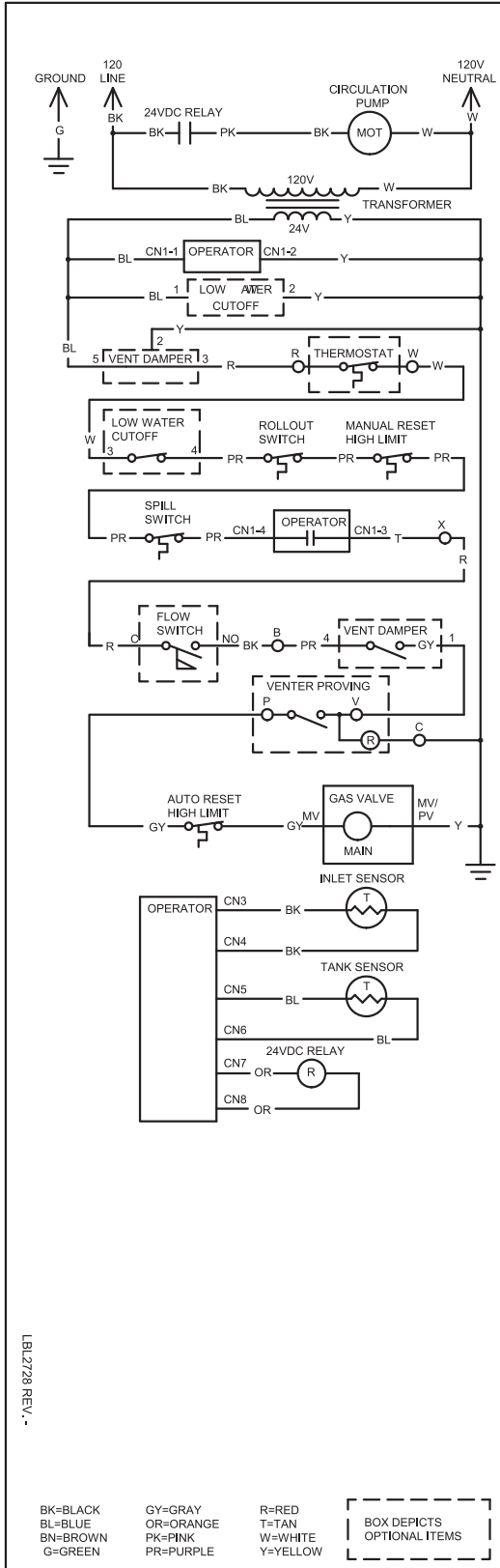


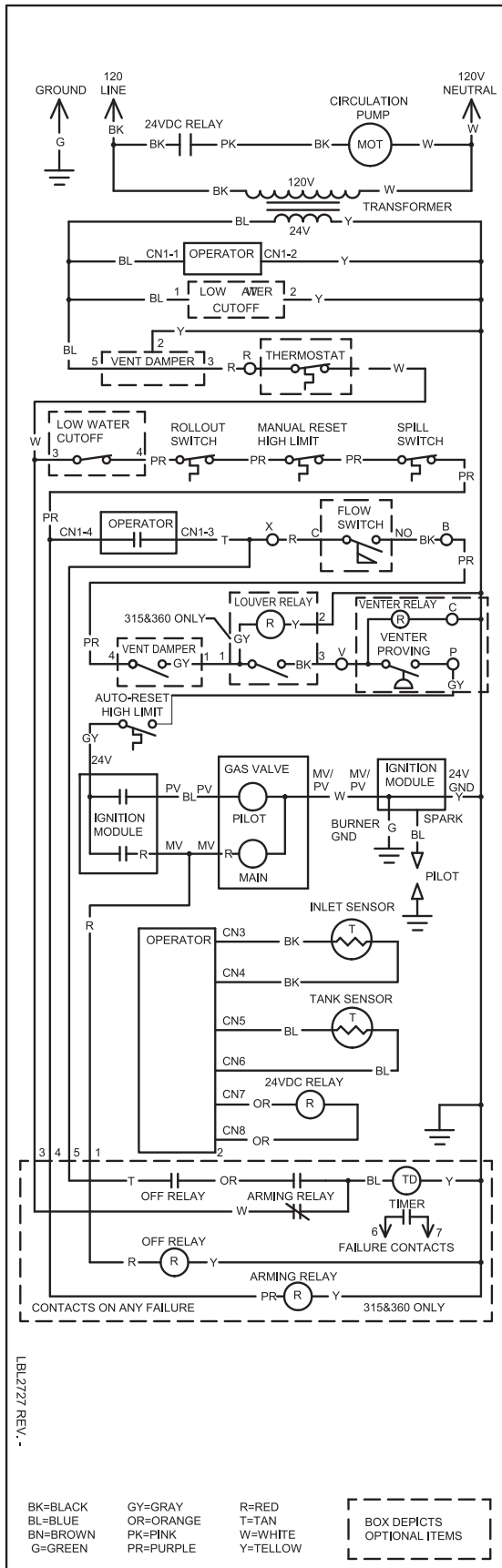
COPPER-FIN (SOLUTION) ATMOSPHERIC BOILERS / WATER HEATERS WIRING DIAGRAMS

Schematic Diagram – F1 Unit 90,000 - 270,000 Btu/hr Models

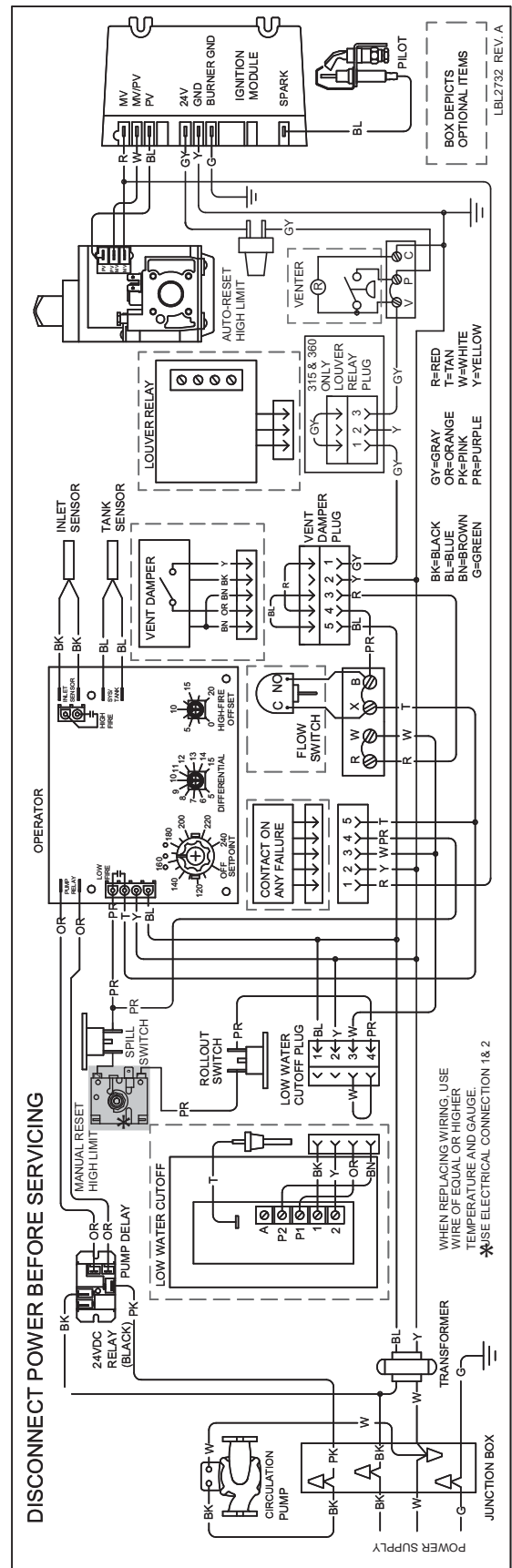
Wiring Diagram – F1 Unit 90,000 - 270,000 Btu/hr Models



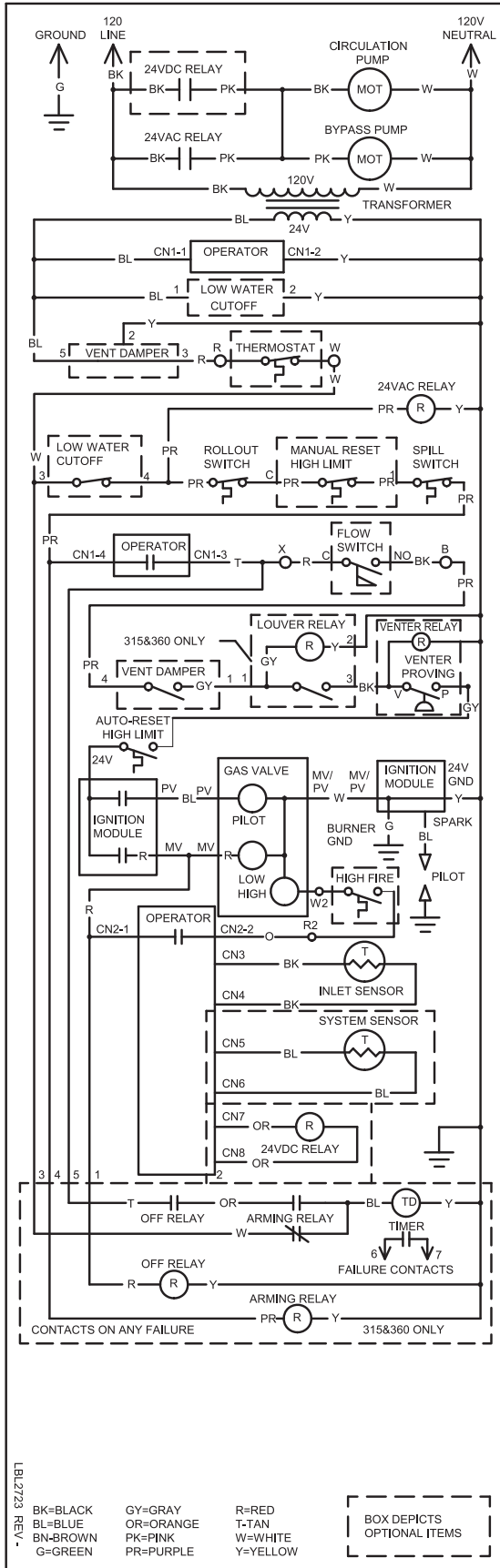
Schematic Diagram – F9 Unit 90,000 - 399,999 Btu/hr Models



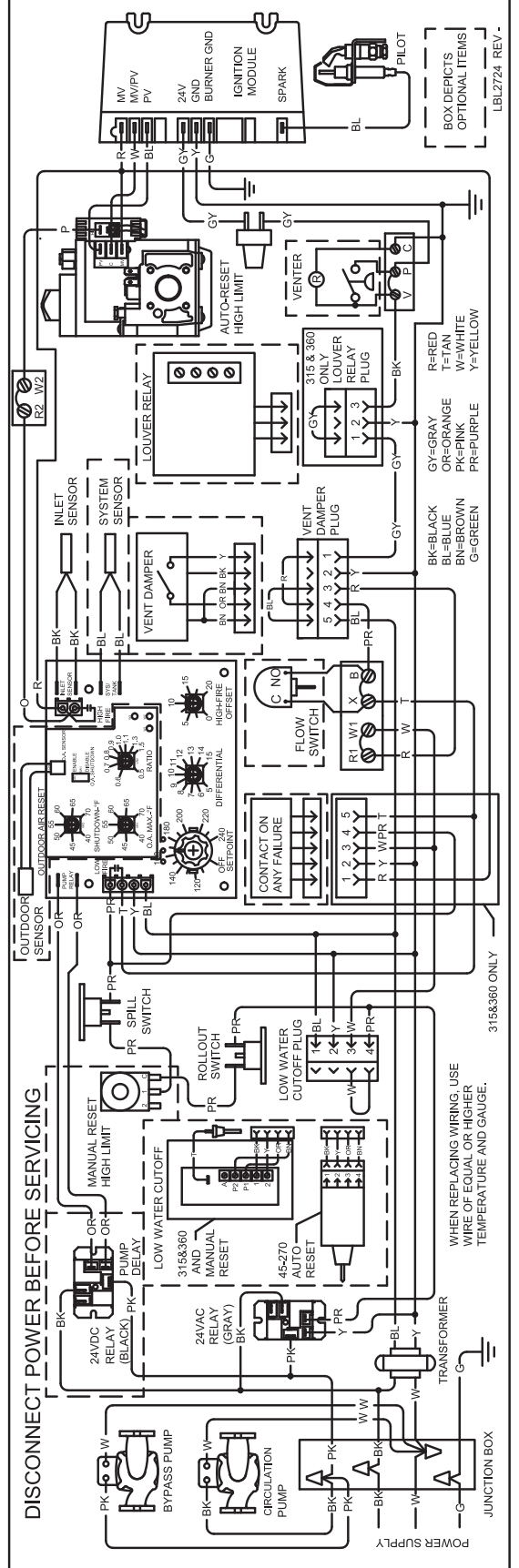
Wiring Diagram – F9 Unit 90,000 - 399,999 Btu/hr Models



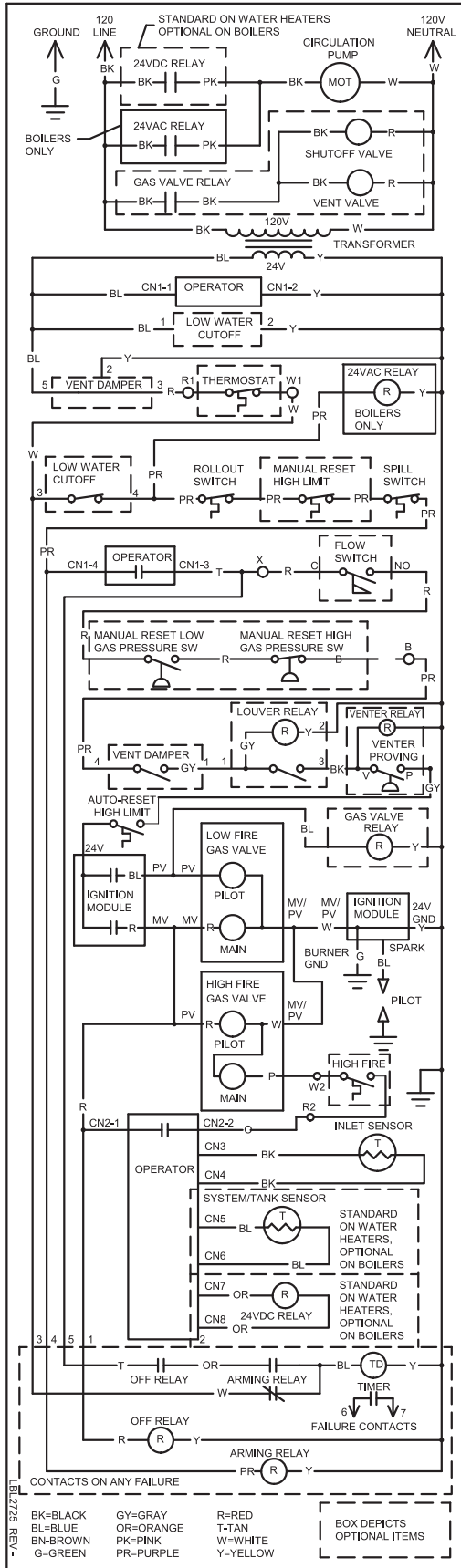
Schematic Diagram – M9 Unit 45,000 - 399,999 Btu/hr Models



Wiring Diagram – M9 Unit 45,000 - 399,999 Btu/hr Models



Schematic Diagram – F9/M9 Unit 500,000 Btu/hr Models



Wiring Diagram – F9/M9 Unit 500,000 Btu/hr Models

