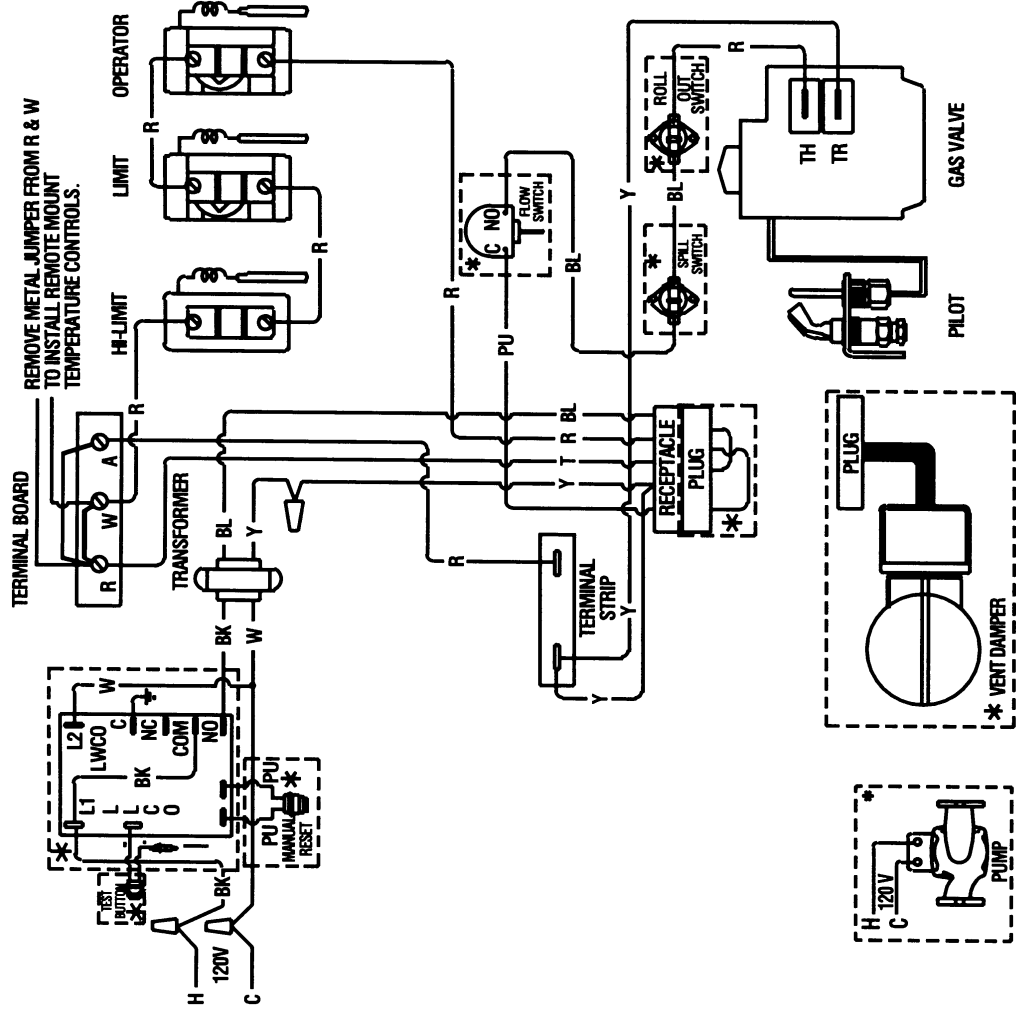


COPPER-FIN® WATER HEATER WIRING DIAGRAMS

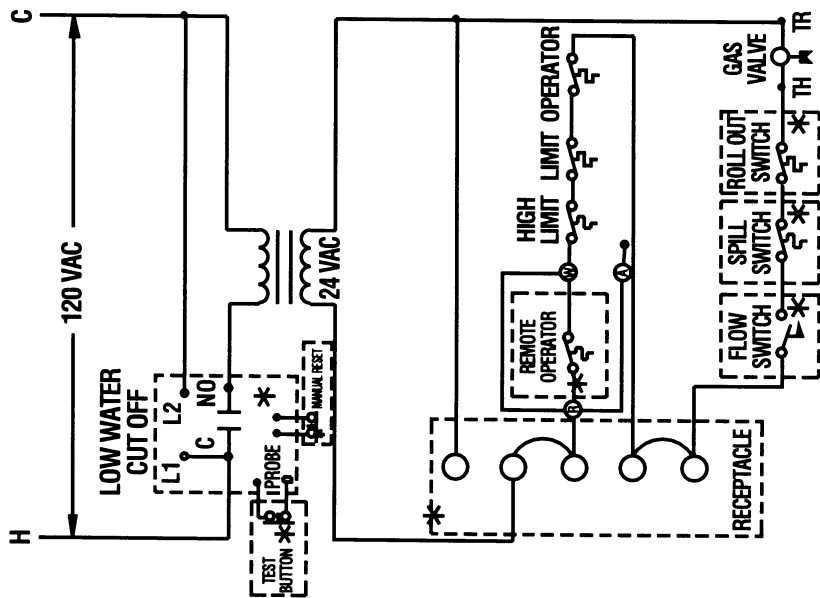
STANDING PILOT-F1 WATER HEATER NATURAL & L.P. GAS WIRING DIAGRAM

MODELS RW90-270

CONNECTION

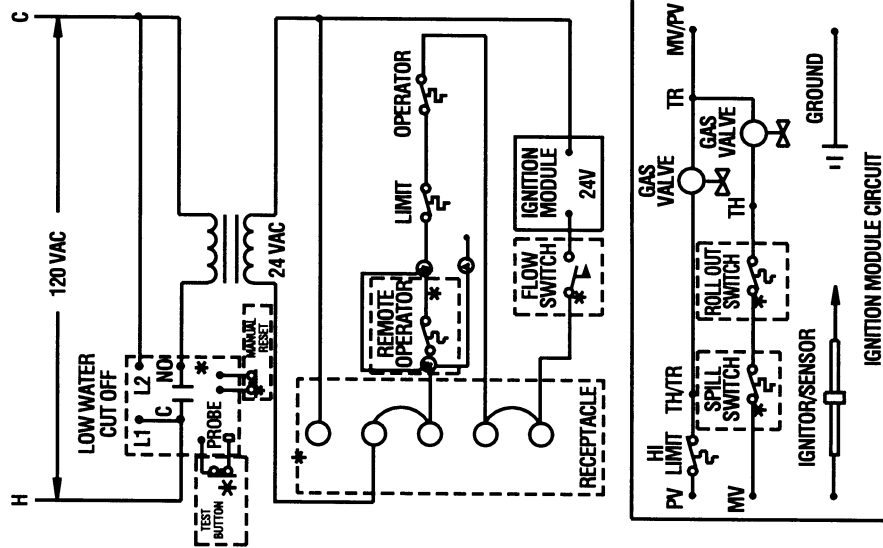


LADDER



IF EQUIPPED OPTION: STANDARD

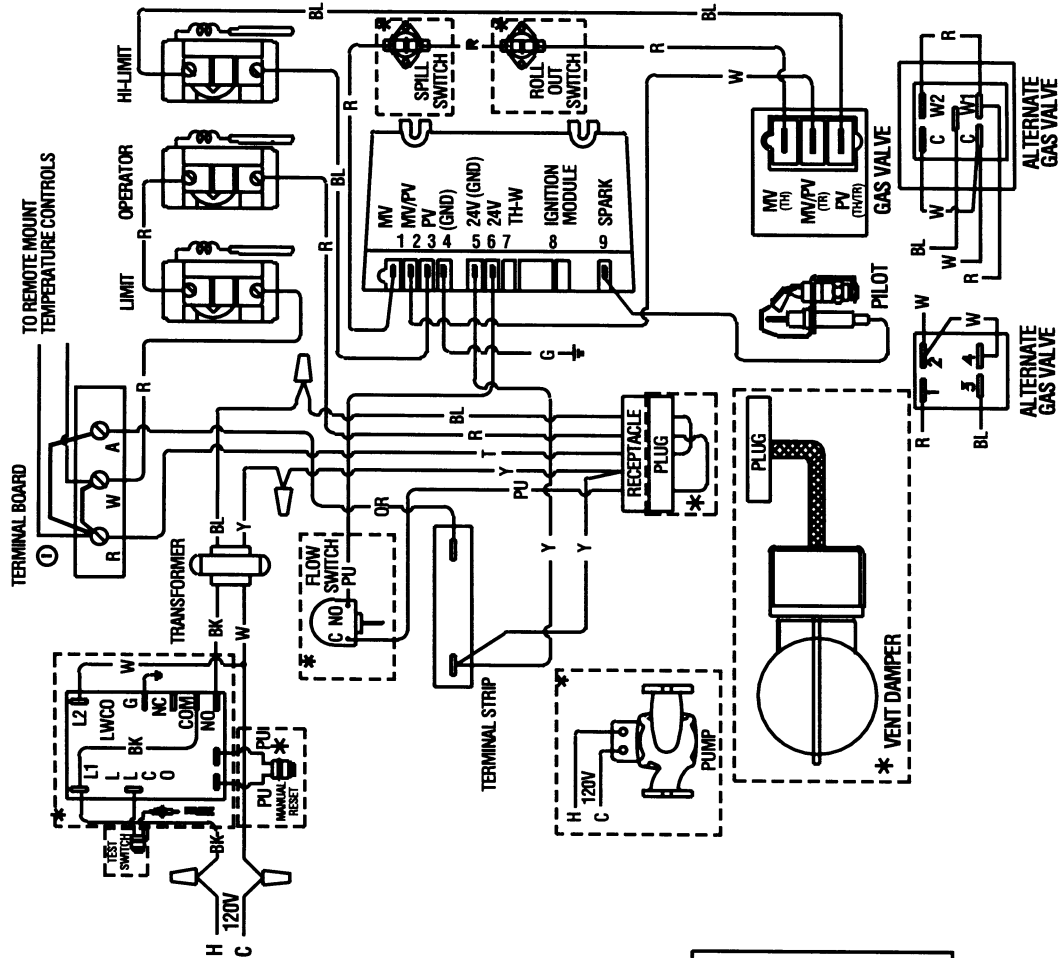
LADDER

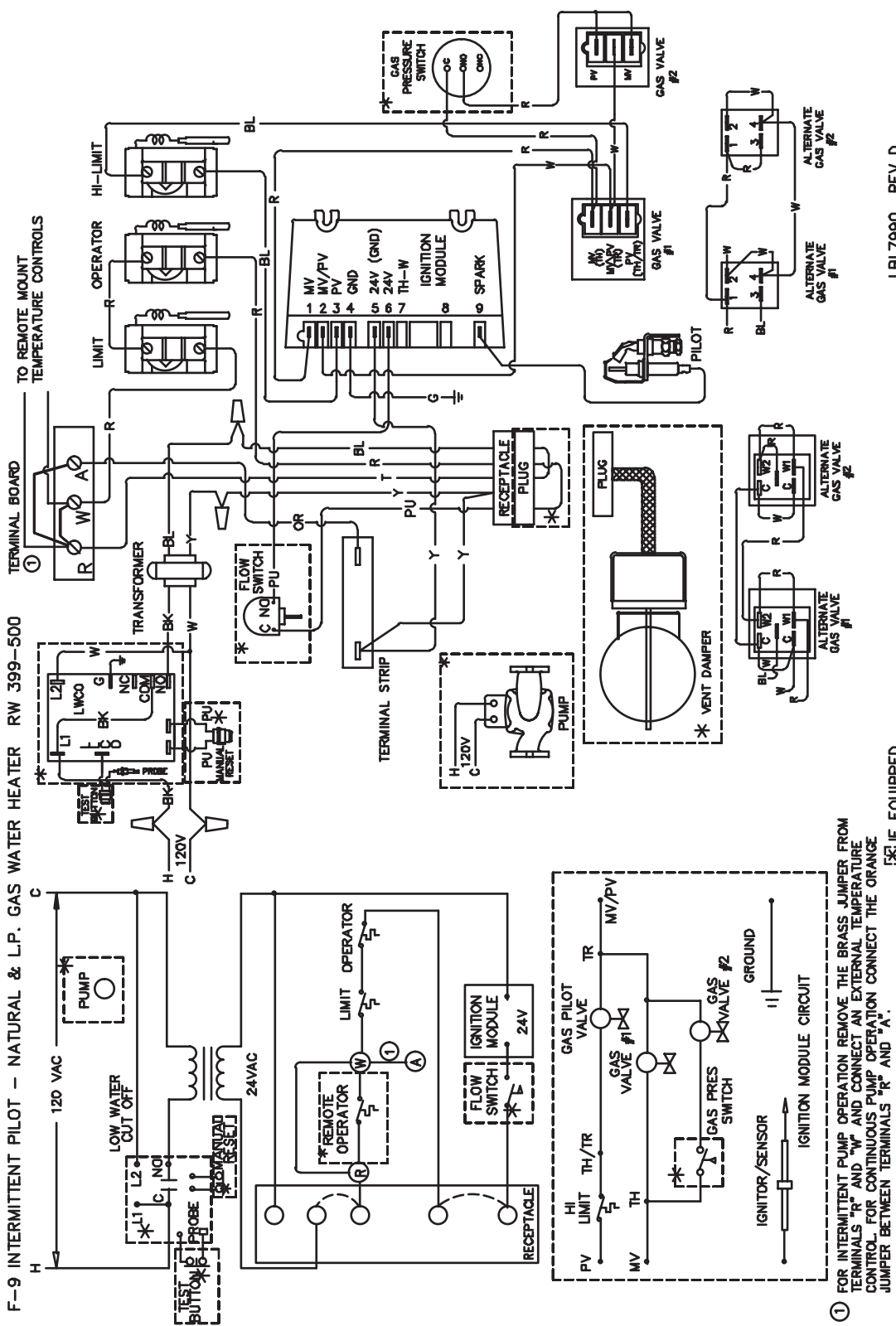


IF EQUIPPED

① (REMOVE METAL JUMPER FROM "R" AND "W" FOR REMOTE TEMPERATURE CONTROL)

CONNECTION

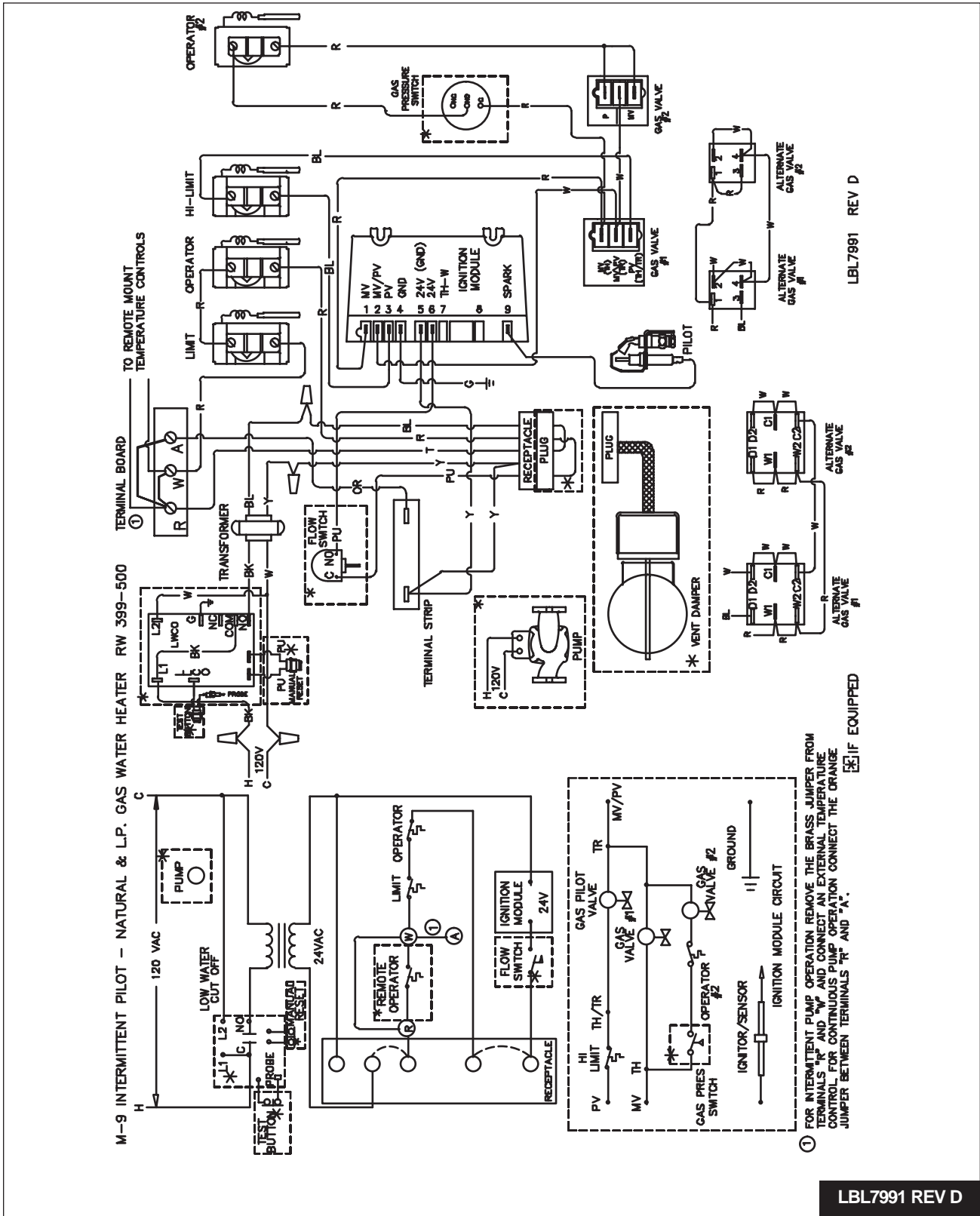




① FOR INTERMITTENT PUMP OPERATION REMOVE THE BRASS JUMPER FROM TERMINALS "R" AND "W" AND CONNECT AN EXTERNAL TEMPERATURE CONTROL JUMPER FOR CONTINUOUS PUMP OPERATION CONNECT THE ORANGE JUMPER BETWEEN TERMINALS "R" AND "A".

IF EQUIPPED

LBL7990 REV D



LBL7991 REV D



Lochinvar Corporation • 300 Maddox Simpson Pkwy • Lebanon, TN 37090 • 615-889-8900 / Fax: 615-547-1000

www.Lochinvar.com