

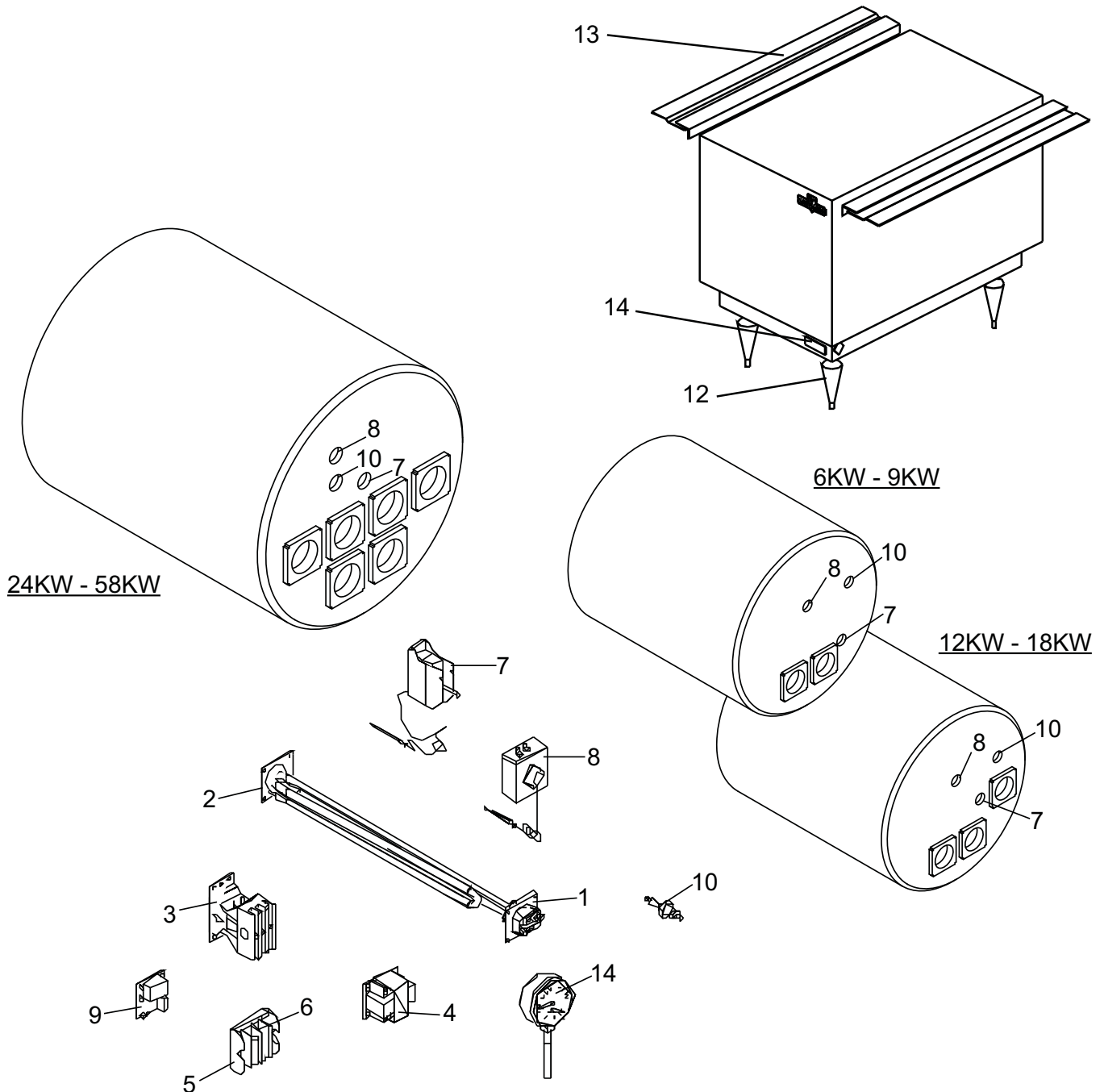


PARTS DEPOT

Nashville, Tennessee
615-889-8900 • Fax: 615-547-1000
www.Lochinvar.com

Replacement Parts List

**Space Saver
Electric Booster
Model "SB"**



ITEM NO.	PART NO.	DESCRIPTION	MODEL NO.
1	ELEMENTS (COPPER SHEATH, TIN COATED, 4 BOLT-FLANGED)		
	WATTAGE	208V PART NO.	240V PART NO.
		480V PART NO.	
	3000	ELE1109	ELE1085
	4000	ELE1133	ELE1109
	4500	ELE1120	ELE1121
	5000	ELE1132	ELE1133
	6000	ELE1153	ELE1120
	7500	ELE1258	ELE1259
	9000	ELE1260	ELE1261
	9750	ELE1262	ELE1263
			ELE1266
			REQUIRED NUMBER OF ELEMENTS
			6 KW - 9KW = 2 ELEMENTS
			12 KW - 18KW = 3 ELEMENTS
			24 KW - 58KW = 6 ELEMENTS
2	GKT2512	GASKET, ELEMENT	ALL
CONTACTORS			
3	CTR2506	3 POLE CONTRACTOR	ALL 6-9KW, ALL 480V, 15KW 208/240V 3Ø, 18-36KW 240V 3Ø 18KW 208V 1Ø, 24-30KW 208V 3Ø
3	CTR1003	4 POLE CONTRACTOR	12 & 15KW 240V 1Ø, 15KW 208V 1Ø, 36-58KW 208V 3Ø, 45-58KW 240V 3Ø
TRANSFORMERS			
4	TRF1027	208/240V-120V	ALL 208 & 240 VOLT
4	TRF1028	480V-120V	ALL 480 VOLT
FUSE BLOCKS			
5	BLK1031	FUSE BLOCK, IN-LINE	ALL 208 & 240 VOLT
5	BLK1051	FUSE BLOCK, MAIN	ALL 208 & 240 VOLT
5	BLK2533	FUSE BLOCK, IN-LINE	ALL 480 VOLT
5	BLK2509	FUSE BLOCK, MAIN	ALL 480 VOLT
5	BLK1050	TERMINAL BLOCK	ALL 480 VOLT 54-58KW
FUSES			
6	FUS2509	JJS-40 600V 40A	480 VOLT
6	FUS2510	JJS-50 600V 50A	480 VOLT
6	FUS2517	JJN-40 300V 40 A	208/240 VOLT
6	FUS2519	JJN-50 250V 50A	208/240 VOLT
6	FUS2523	JJN-60 250V 60A	208/240 VOLT
6	FUS1031	SC-2 480V 2A	ALL 208/240 VOLT
6	FUS1032	JJS-1 600V 1A	ALL 480 VOLT
THERMOSTATS			
7	HLC1022	HIGH LIMIT	ALL
8	TST1046	THERMOSTAT	6-18KW
8	TST1047	THERMOSTAT	24-58KW
MISCELLANEOUS			
9	WTR1212	LOW WATER CUT OFF	OPTIONAL
10	WTR2222	PROBE, LOW WATER CUT OFF	OPTIONAL
11	JKT1059	LEG	ALL
12	JKT1058	BRACKET, SLIDE OUT MOUNTING	OPTIONAL
13	MSC1051	SWITCH, TOGGLE	ALL
14	GTP1055	TEMPERATURE & PRESSURE GAUGE (1/2" THREADED)	ALL
—	WTR1058	SHOCK ABSORBER	OPTIONAL
—	WTR1108	VALVE, PRESSURE REDUCING	OPTIONAL
—	WTR1111	DIFFUSER, INLET	6-18KW
—	WTR1109	DIFFUSER, INLET	24-58 KW
—	WTR1110	DIFFUSER, OUTLET	24-58KW
—	MSC1050	LIGHT, INDICATOR RED	ALL
—	RLV1006	RELIEF VALVE	ALL
PLEASE HAVE MODEL NUMBER AND SERIAL NUMBER WHEN ORDERING PARTS			