

Solar Brazed Plate Heat Exchanger

Designed to work under pressure

Lochinvar/Tisun brazed plate heat exchangers are precision made right down to the smallest detail. Plates are pressed and stacked on automated press-lines and computer controlled furnaces closely monitor the brazing process. All units are subjected to rigorous pressure and leak testing before leaving the factory and we aim for shortest delivery times on all orders.

Outstanding Features

Safety Chamber

The Safety Chamber absorbs the stress from thermal shock and pressure pulsations that would damage other brazed plate heat exchangers. When overloaded, encapsulated contact points around the ports take up the forces and stretch, protecting against internal leaks and premature failure, an exclusive safety feature.

Robust Plate Design

The Rolled Edge Lock System, guarantees a consistent braze joint at the plate overlap and results in a stronger and more leak-proof heat exchanger. The contact points, extended and larger in design, provide stronger braze joints between the plates, thus guaranteeing high heat exchanger strength.

Full-Flow System

Every Solar Brazed Plate Heat Exchanger is equipped with a unique flow system that ensures continuous flow around the port area to prevent freezing. They also feed the working fluid equally over the channel to guarantee maximum use of the heat transfer area.



A Variety of Applications:

- Solar
- Heating and Hot Water Production
- Radiant Floor Heating
- Snow Melting

Built for Performance

Plate material: 316L Stainless Steel

Brazing material: Copper

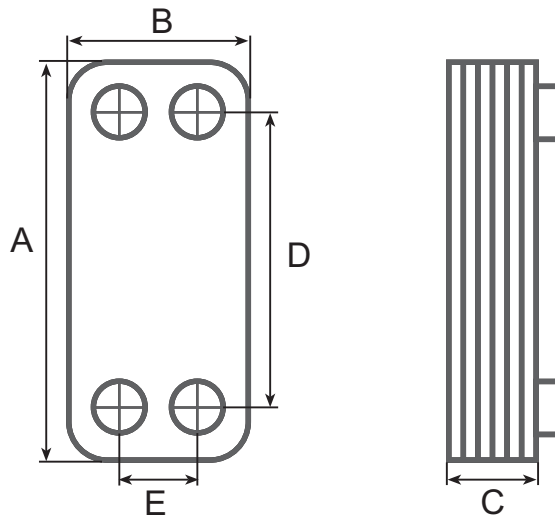
Performance:

Single Wall - Up to 450 psig at 350°F

Double Wall - Up to 653 psig at 392°F

Third party approval: UL listed

Solar Brazed Plate Heat Exchanger Dimensions & Specifications



Model Number	A	B	C	D	E	Connection Size	Collector Area Covered Ft ²	Weight (.lbs)
Single Wall								
HEX20025	12-3/4"	3-1/2"	1-1/2"	11"	1-3/4"	3/4"	107	5
HEX20026	12-3/4"	3-1/2"	2"	11"	1-3/4"	3/4"	215	6
HEX20027	12-3/4"	3-1/2"	2-1/2"	11"	1-3/4"	3/4"	323	7
HEX20028	12-3/4"	3-1/2"	4"	11"	1-3/4"	3/4"	538	10
HEX20029	21"	5"	4"	18-3/4"	3"	1"	861	25
HEX20030	21"	5"	4-3/4"	18-3/4"	3"	1-1/4"	1076	30
HEX20031	21"	5"	9-1/4"	18-3/4"	3"	1-1/4"	2153	54
HEX20032	21-1/2"	11"	5-3/4"	18"	7-3/4"	2"	3229	84
HEX20033	21-1/2"	11"	8-3/4"	18"	7-3/4"	2-1/2"	5382	117
Double Wall								
HEX20071	13-1/4"	5"	1-1/2"	11"	3"	1"	107	7
HEX20072	13-1/4"	5"	2-1/2"	11"	3"	1"	215	10
HEX20073	13-1/4"	5"	2-3/4"	11"	3"	1"	323	11
HEX20074	13-1/4"	5"	4-1/4"	11"	3"	1"	538	15
HEX20075	21"	5"	5-1/4"	19"	3"	1-1/4"	861	34
HEX20076	21"	5"	7"	19"	3"	1-1/4"	1076	46
HEX20077	21"	5"	8"	19"	3"	1-1/4"	1614	52
HEX20078	21"	5"	12"	19"	3"	1-1/4"	2691	76

NOTE: All water connections are NPT.

STANDARD FEATURES

- › 316L Stainless Steel Plates
- › 304L Stainless Steel Connectors
- › UL Listed
- › 450 PSI Max Working Pressure (Single Wall)
- › 350°F Max Working Temperature (Single Wall)
- › 653 PSI Max Working Pressure (Double Wall)
- › 392°F Max Working Temperature (Double Wall)



Lochinvar, LLC
300 Maddox Simpson Parkway
Lebanon, Tennessee 37090
P: 615.889.8900 / F: 615.547.1000
www.Lochinvar.com

