

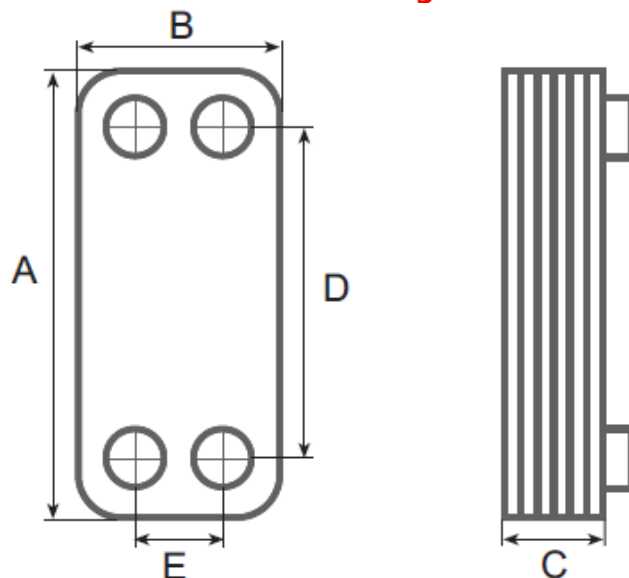
Typical Specification for Lochinvar-TiSun® Brazed Plate Heat Exchangers Models HEX20025-HEX20033

The **Brazed Plate Heat Exchanger** shall be a **LOCHINVAR** Model **SBP** _____ heat exchanger. The **Heat Exchanger** shall be UL listed.

The **Brazed Plate Heat Exchanger** plates shall be made of 316L Stainless Steel and shall use copper as the brazing medium. The connection points will be constructed out of 304 Stainless Steel. The brazed plate heat exchanger will feature a rolled edge lock design.

The **Brazed Plate Heat Exchanger** shall sustain pressures up to 450psi @ 350°F. Safety features shall include encapsulated contact points around the tapping ports to protect against internal leaks and premature failure.

Solar Brazed Plate Heat Exchanger Dimensions & Specifications



Model Number	A	B	C	D	E	Connection Size	Collector Area Covered Ft ²	Weight (.lbs)
HEX20025	12-3/4"	3-1/2"	1-1/2"	11"	1-3/4"	3/4"	107	5
HEX20026	12-3/4"	3-1/2"	2"	11"	1-3/4"	3/4"	215	6
HEX20027	12-3/4"	3-1/2"	2-1/2"	11"	1-3/4"	3/4"	323	7
HEX20028	12-3/4"	3-1/2"	4"	11"	1-3/4"	3/4"	538	10
HEX20029	21"	5"	4"	18-3/4"	3"	1"	861	25
HEX20030	21"	5"	4-3/4"	18-3/4"	3"	1-1/4"	1076	30
HEX20031	21"	5"	9-1/4"	18-3/4"	3"	1-1/4"	2153	54
HEX20032	21-1/2"	11"	5-3/4"	18"	7-3/4"	2"	3229	84
HEX20033	21-1/2"	11"	8-3/4"	18"	7-3/4"	2-1/2"	5382	117

NOTE: All water connections are NPT.