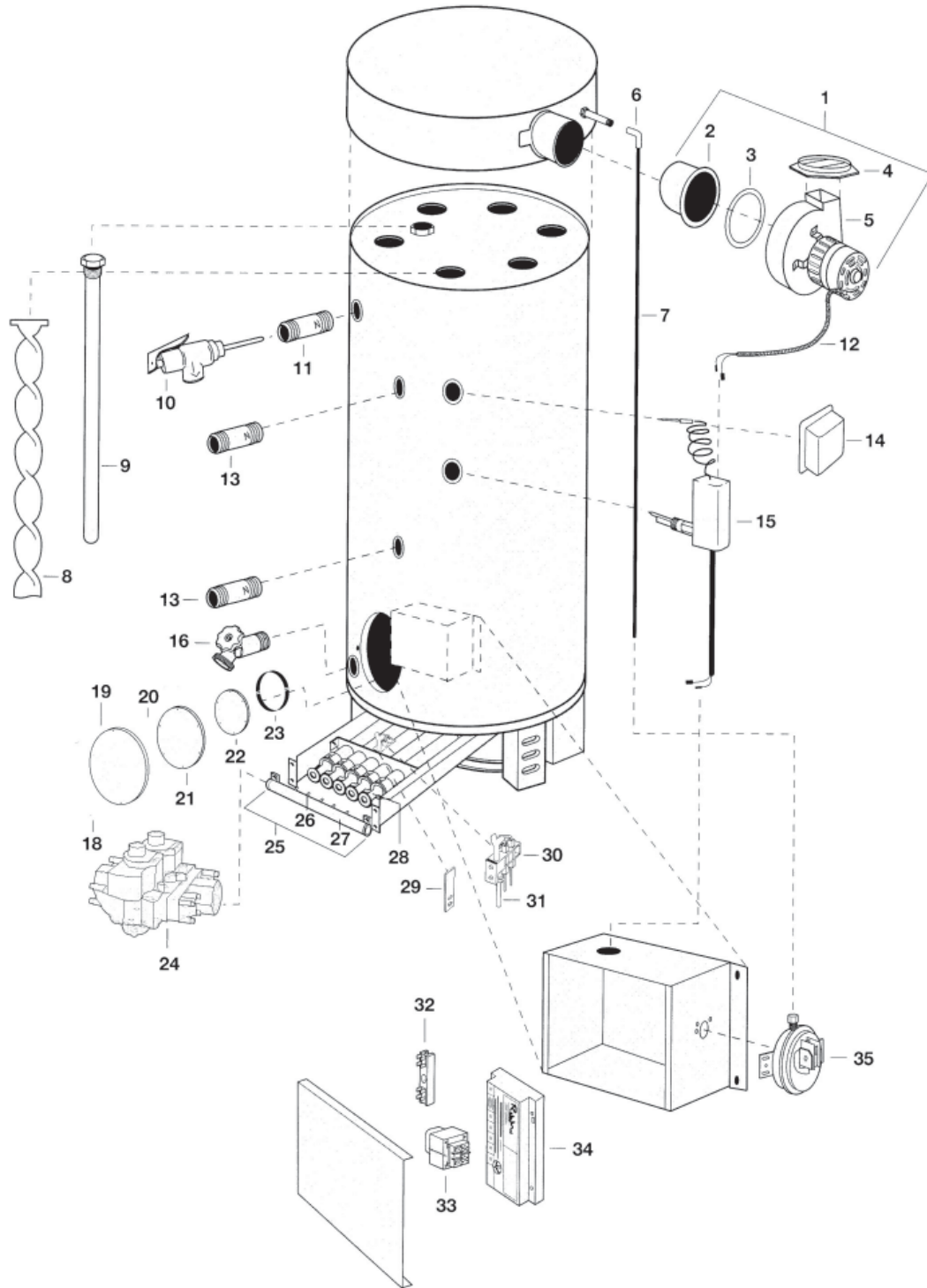




**PARTS & SERVICE DEPARTMENT**  
 Nashville, Tennessee  
 615-889-8900 • Fax: 615-547-1000  
 www.Lochinvar.com

**Replacement Parts List**

**Commercial Gas Charger Series  
 Models CNR(A)/CLR(A)  
 625-080-DF9 thru 726-080-DF9**



| ITEM NO. | PART NO.   | DESCRIPTION                       | MODEL NO.                                     |
|----------|------------|-----------------------------------|---|
| 1        | PVT1003    | BLOWER ASSEMBLY                   | ALL   |
| 2        | PVT1030    | BLOWER MOUNTING FLANGE            | ALL   |
| 3        | GKT1033    | BLOWER GASKET                     | ALL   |
| 4        | DRH1170    | BLOWER VENT ADAPTER               | ALL   |
| 6        | MSC1097    | BULKHEAD FITTING                  | ALL   |
| 7        | MSC2933    | ALUMINUM TUBING (45")             | ALL   |
| 8        | JKT1053    | FLUE BAFFLE                       | ALL   |
| 9        | WTR1085    | MAG ANODE ROD                     | ALL   |
| 10       | RLV1016    | T & P RELIEF VALVE                | ALL   |
| 11       | GLV2849    | NIPPLE, 1" X 3"                   | ALL   |
| 12       | WRE1052    | WIRE HARNESS T-STAT TO BLOWER     | ALL   |
| 13       | WTR1081    | NIPPLE SIDE CONNECT HOT & COLD    | ALL   |
| 14       | JKT1200    | SENSOR COVER                      | ALL   |
| 15       | TST1084    | DUAL SENSOR THERMOSTAT            | ALL   |
| 16       | DRV2508    | BRASS DRAIN VALVE                 | ALL   |
| 18       | BLT1041    | BOLT FOR HANDHOLE COVER           | ALL   |
| 19       | WTR1101    | HANDHOLE CLEAN OUT COVERPLATE     | ALL   |
| 20       | BLT1040    | BOLT FOR HANDHOLE                 | ALL   |
| 21       | WTR1016    | PLATE HANDHOLE COVER NON-ASME     | CNR625-080 THRU 725-080-DF9                   |
| 21       | WTR1039    | PLATE HANDHOLE COVER ASME         | CNA626-080 THRU 726-080-DF9                   |
| 22       | GKT2101    | GASKET, 4 X 6 HANDHOLE ASME       | CNA626-080 THRU 726-080-DF9                   |
| 23       | GKT1010    | GASKET, 4 X 6 HANDHOLE NON-ASME   | CNR625-080 THRU 725-080-DF9                   |
| 24       | VAL1063    | GAS VALVE NAT                     | CNR(A)625(6)-080 THRU<br>CLR(A)725(6)-080-DF9 |
| 24       | VAL1065    | GAS VALVE LPG                     | CLR(A)625(6)-080 THRU<br>CLR(A)725(6)-080-DF9 |
| 25       | BNR1162    | BURNER ASSEMBLY NAT               | CNR(A)725(6)-080-DF9                          |
| 25       | BNR1253    | BURNER ASSEMBLY NAT               | CNR(A)625(6)-080-DF9                          |
| 25       | BNR1163    | BURNER ASSEMBLY LPG               | CLR(A)725(6)-080-DF9                          |
| 25       | BNR1254    | BURNER ASSEMBLY LPG               | CLR(A)625(6)-080-DF9                          |
| 26       | ORF1020-25 | ORIFICE MAIN BURNER(#25)(9 EACH)  | CNR(A)625(6)-080-DF9                          |
| 26       | ORF1020-40 | ORIFICE MAIN BURNER(#40)(9 EACH)  | CLR(A)625(6)-080-DF9                          |
| 26       | ORF1020-20 | ORIFICE MAIN BURNER (#20)(9 EACH) | CNR(A)725(6)-080-DF9                          |
| 26       | ORF1020-37 | ORIFICE MAIN BURNER (#37)(9 EACH) | CLR(A)725(6)-080-DF9                          |
| 27       | MAN1021-9  | MANIFOLD, NINE ORIFICE BURNER     | ALL   |
| 28       | BNR1059    | MAIN BURNER                       | ALL   |
| 29       | JKT3003    | PILOT SHIELD                      | ALL   |
| 30       | PLT1140    | PILOT ASSEMBLY NAT.               | ALL   |
| 30       | PLT1121    | PILOT ASSEMBLY LPG.               | ALL   |
| 31       | MSC2933    | ALUMINUM TUBING                   | ALL   |
| 32       | BLK1040    | TERMINAL BLOCK ESB1-4-4           | ALL   |
| 33       | TRF1038    | TRANSFORMER                       | ALL   |
| 34       | RLY2900    | IGNITION CONTROL                  | ALL   |
| 35       | PRS1001    | PRESSURE SWITCH                   | ALL   |

Please provide model & serial number when ordering parts.