



Lochinvar[®]
HIGH EFFICIENCY BOILERS & WATER HEATERS

**STAINLESS STEEL
INDIRECT WATER HEATER**

Submittal Sheet

SDW-Sub-02

STAINLESS STEEL DOUBLE WALL INDIRECT WATER HEATERS

JOB NAME _____

LOCATION _____

ARCH./ENGR. _____

WHOLESALE _____

MECH. CONTRACTOR _____

MODEL NO. _____

GALLON CAPACITY _____

NOTES

Standard Features

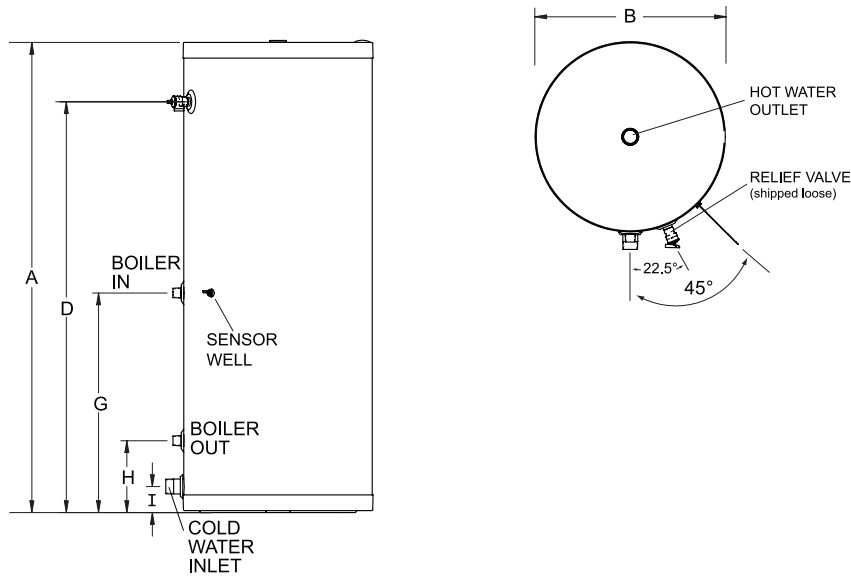
- Fully Welded Construction
- 100% Stainless Steel Construction
- Built in U.S.A. at Lochinvar World Headquarters
- 316L Passivated Stainless Steel Tank
- 316L Stainless Steel Heating Coil
- 1" Boiler Supply and Return Connections
- 1" Domestic Water Connections (40, 50 models)
- 1-1/2" Domestic Water Connections (65, 80, 119 models)
- Non-HCFC High Density Foam Insulation
- Temperature and Pressure Relief Valve (Shipped Loose)
- Factory Supplied Tank Sensor
- Warranty - *Limited Lifetime*
Five year limited tank warranty on all models when used in a commercial application.
One year warranty on parts.
(See warranty for details)

Optional Equipment

Place an X in the box by all options that apply

Aqua Stat

Stainless Steel Indirect Water Heater Dimensions & Specifications



Model Number	A	B	D	G	H	I	Domestic Water Conn.	Coil Connection Size	Shipping Wt. (lbs.)
SIT040DW	38 -1/4"	24"	30-3/4"	25"	9"	3-1/2"	1"	1"	130
SIT050DW	48"	24"	39-3/4"	25-1/2"	9-1/4"	3-1/4"	1"	1"	150
SIT065DW	60"	24"	53"	29-1/4"	9-1/4"	3"	1-1/2"	1"	229
SIT080DW	69-1/2"	24"	61-3/4"	29-1/4"	9-1/4"	3"	1-1/2"	1"	245
SIT119DW	69"	28"	60-1/4"	29-1/2"	9-1/2"	3"	1-1/2"	1"	315

Model Number	Capacity (Gallons)	Heat Source Water Volume (Gallons)	Standby Loss (°F/Hr)	First Draw Gals.	Continuous Delivery (GPH)	1st Hour Delivery (Gallons)	Min. Coil Load (Btu/Hr)	Flow Rate (GPM)	Friction Loss (Ft. Hd.)
SIT040DW	38	1.6	1.5	33	120	153	90,000	14.00	5.3
SIT050DW	50	1.6	0.9	45	120	165	90,000	14.00	5.3
SIT065DW	63	2.5	0.7	61	174	235	120,000	14.00	5.7
SIT080DW	80	2.5	0.6	75	174	249	120,000	14.00	5.7
SIT119DW	113	2.5	0.5	106	174	280	120,000	14.00	5.7

Performance data is based on IWH-TS1 test results. All ratings are based on 180°F boiler water temperature with incoming cold water at 58°F and a Delta T of 77°F.

Includes tank sensor for use with KNIGHT Heating Boiler.

Optional thermostat available for use with other boiler models.



Lochinvar, LLC
 300 Maddox Simpson Parkway
 Lebanon, Tennessee 37090
 P: 615.889.8900 / F: 615.547.1000
 Lochinvar.com

