

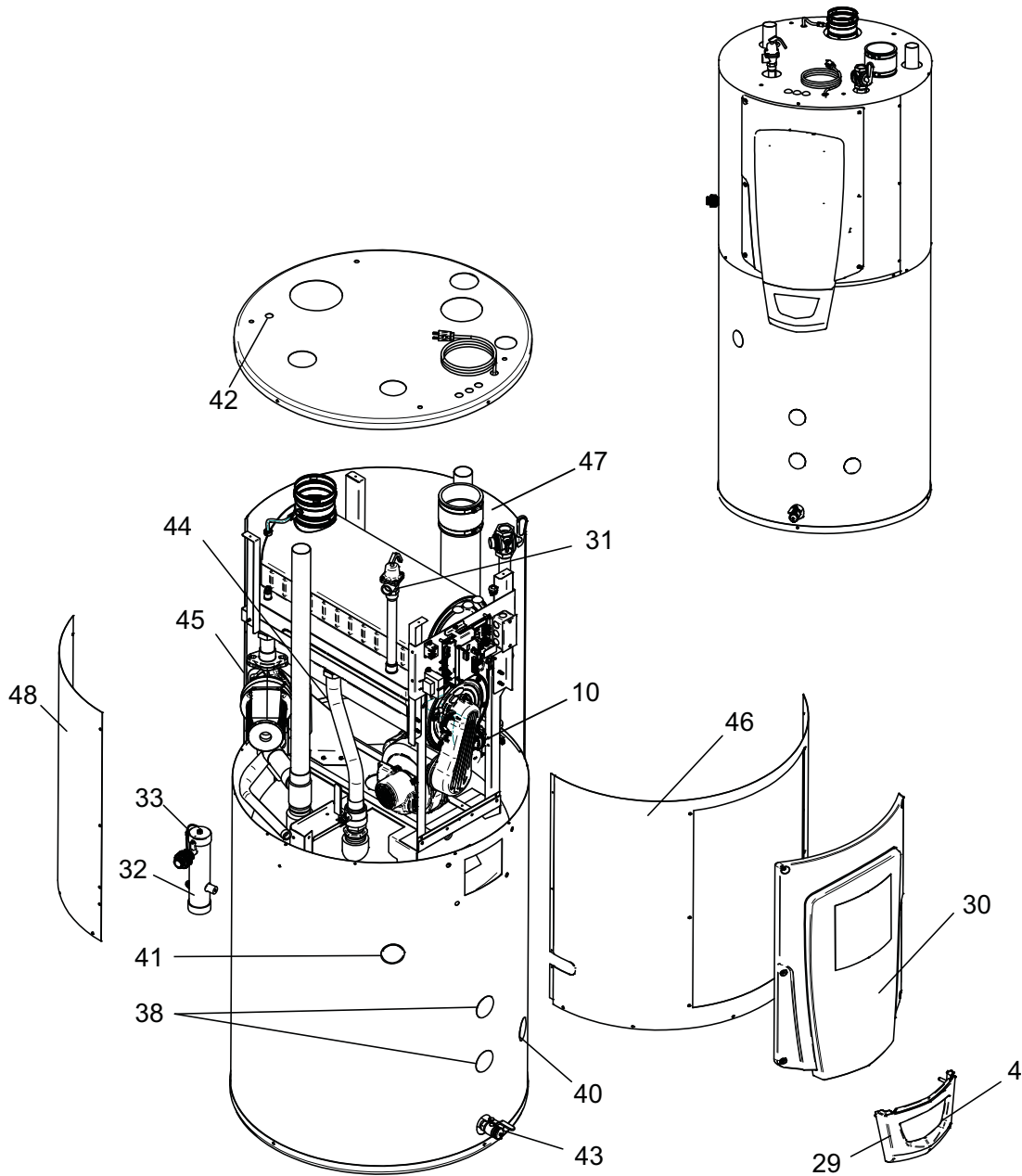


Lochinvar[®]
HIGH EFFICIENCY BOILERS & WATER HEATERS

Replacement Parts List

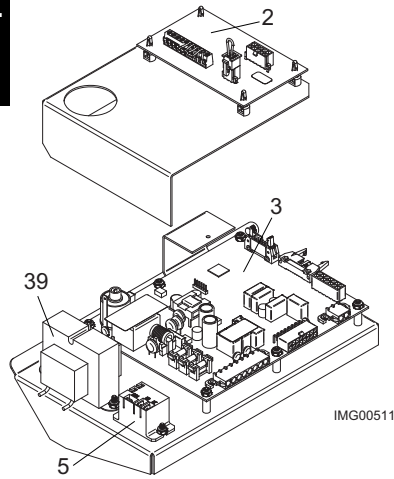
PARTS & SERVICE DEPARTMENT
Nashville, Tennessee
877-554-5544 • Fax: 615-547-1000
parts_team@lochinvar.com
www.Lochinvar.com

SHIELD™
Water Heater
SNR126-065, 151-100, 201-100
SNA151-100, 201-100, 286-125, 401-125, 501-125

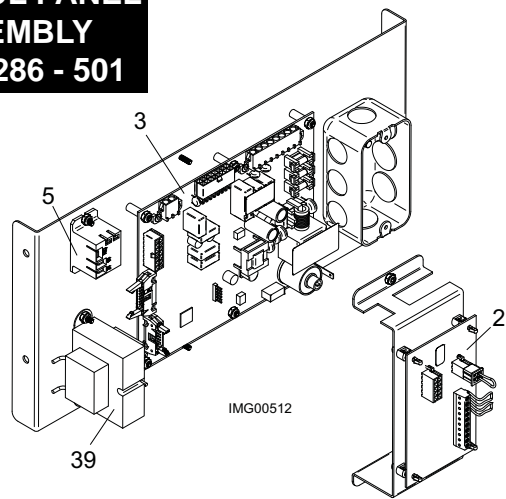


IMG00507

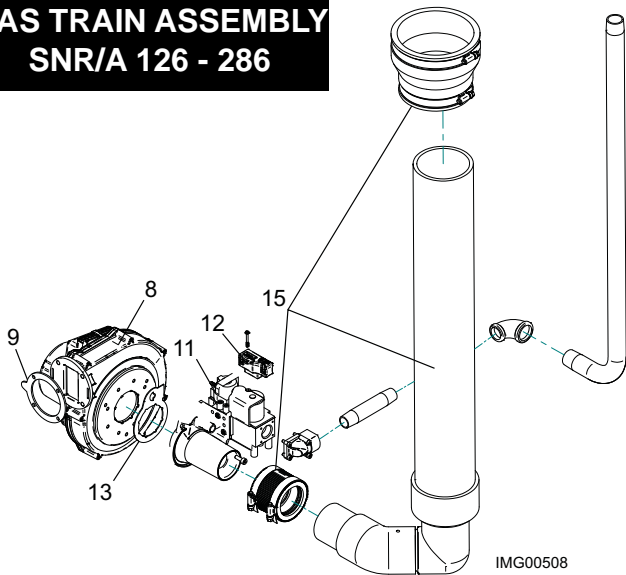
**CONTROL PANEL
ASSEMBLY
SNR/A 126 - 201**



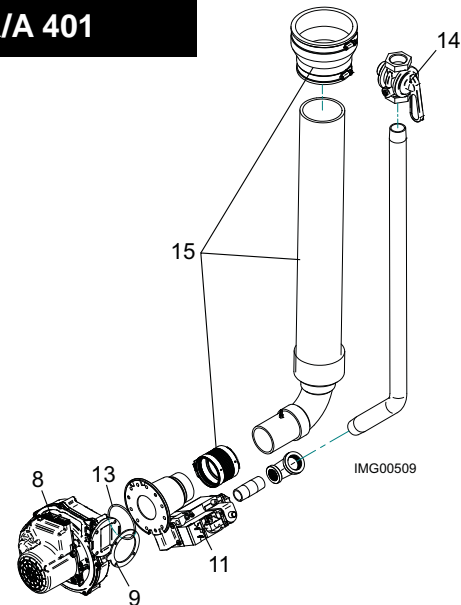
**CONTROL PANEL
ASSEMBLY
SNR/A 286 - 501**



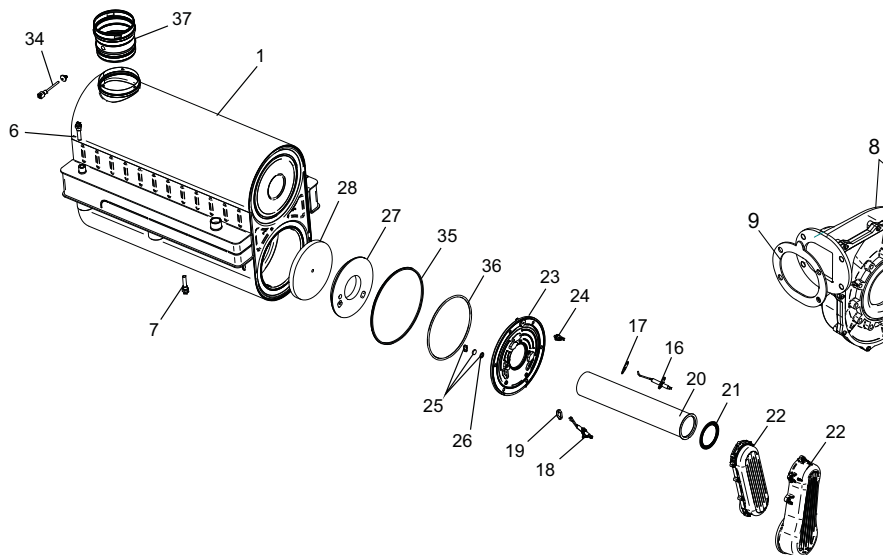
**GAS TRAIN ASSEMBLY
SNR/A 126 - 286**



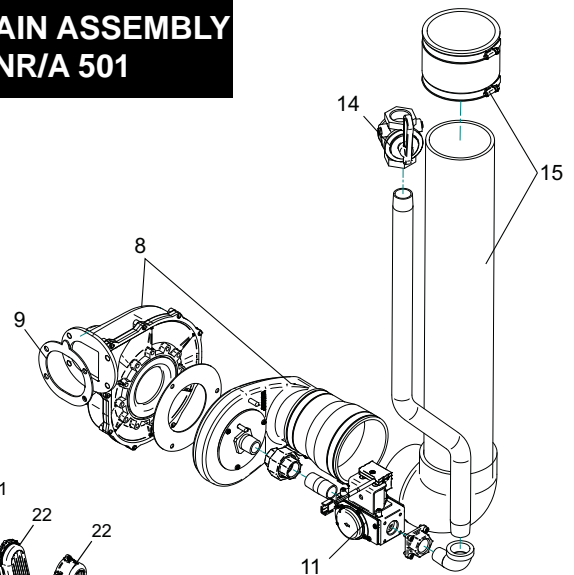
**GAS TRAIN ASSEMBLY
SNR/A 401**



**HEAT EXCHANGER
ASSEMBLY**



**GAS TRAIN ASSEMBLY
SNR/A 501**



ITEM NO.	PART NO.	DESCRIPTION	MODEL
HEAT EXCHANGERS			
1	100276500	HEAT EXCHANGER ASSEMBLY	SNR126-065
1	100276580	HEAT EXCHANGER ASSEMBLY	SNR/A151-100
1	100276591	HEAT EXCHANGER ASSEMBLY	SNR/A201-100
1	100276592	HEAT EXCHANGER ASSEMBLY	SNA286-125
1	100276594	HEAT EXCHANGER ASSEMBLY	SNA401-125
1	100276595	HEAT EXCHANGER ASSEMBLY	SNA501-125
CONTROLS			
2	100277815*	CONNECTION BOARD	ALL
3	100167865*	INTEGRATED CONTROL	SNR126, SNR/A151 &201
3	100167866*	INTEGRATED CONTROL	SNA401
3	100167867*	INTEGRATED CONTROL	SNA286 & 501
3	100167868	HIGH ALTITUDE INTEGRATED CONTROL	SNR126, SNR/A151 &201
3	100167869	HIGH ALTITUDE INTEGRATED CONTROL	SNA401
3	100167870	HIGH ALTITUDE INTEGRATED CONTROL	SNA286 & 501
4	100277816	USER INTERFACE CONTROL	ALL
5	100208509*	RELAY, 120VAC, 60HZ, 10.8 AMP	ALL
6	100208565*	WATER TEMP SENSOR, INLET	ALL
6	100208563	WATER TEMP SENSOR, INLET, SS (OPTIONAL)	ALL
7	100208566*	OUTLET SENSOR/ HIGH LIMIT	ALL
7	100208558	OUTLET SENSOR/ HIGH LIMIT, SS (OPTIONAL)	ALL
8	100145003	FAN ASSEMBLY	SNR126
8	100145004	FAN ASSEMBLY	SNR/A151
8	100145005	FAN ASSEMBLY	SNR/A201
8	100145006	FAN ASSEMBLY	SNA286
8	100145008	FAN ASSEMBLY	SNA401
8	100144984	FAN ASSEMBLY	SNA501
9	100208764*	GASKET, FAN	SNR151
9	100208101*	GASKET, FAN / AIR ARM	SNR126, SNR/A201-401
9	100208759*	GASKET, FAN / AIR ARM	SNA501
10	100208381*	PRESSURE SWITCH - 3.0" WATER COLUMN	SNR126, SNR/A151
10	100289699*	PRESSURE SWITCH - 4.1" WATER COLUMN	SNR/A201
10	100208377*	PRESSURE SWITCH - 3.0" WATER COLUMN	SNA286
10	100208378*	PRESSURE SWITCH - 4.1" WATER COLUMN	SNA401
10	100289703*	PRESSURE SWITCH - 5.3" WATER COLUMN	SNA501
GAS VALVES			
11	100171985	GAS VALVE ASSEMBLY	SNR126
11	100171986	GAS VALVE ASSEMBLY	SNR/A151
11	100171987	GAS VALVE ASSEMBLY	SNR/A201
11	100171988	GAS VALVE ASSEMBLY	SNA286
11	100171989	GAS VALVE ASSEMBLY	SNA401
11	100171990	GAS VALVE ASSEMBLY, NAT	SNA501
11	100171991	GAS VALVE ASSEMBLY, LP	SLA501
12	100208324	GAS VALVE ON/OFF SWITCH	SNR126, SNR/A151, 201 & SNA286
13	100208760	GASKET, GAS VALVE / VENTURI	SNR126, SNR/A151 & 201, SNA286
13	100208761*	GASKET, VENTURI O-RING	SNA401
14	100300201	GAS CUT OFF VALVE 1 X 1	SNA401-501
15	100163233	AIR INLET KIT	SNR126 & SNR/A201
15	100163234	AIR INLET KIT	SNR/A151
15	100163235	AIR INLET KIT	SNA286
15	100163236	AIR INLET KIT	SNA401
15	100163237	AIR INLET KIT	SNA501
PILOT & BURNER ASSEMBLIES			
16	100165930*	FLAME SENSOR W/ GASKET & SCREWS	ALL
17	100208091*	GASKET, FLAME SENSOR	ALL
18	100165929*	IGNITOR W/ GASKET	ALL
19	100208086*	GASKET, IGNITOR	ALL
20	100135278	BURNER ASSEMBLY W/ GASKET	SNR126

PLEASE HAVE SERIAL NUMBER WHEN ORDERING PARTS
*ITEMS DENOTE SUGGESTED INVENTORY PARTS

ITEM NO.	PART NO.	DESCRIPTION	MODEL
PILOT & BURNER ASSEMBLIES (CONTINUED)			
20	100135308	BURNER ASSEMBLY W/ GASKET	SNR/A151
20	100135309	BURNER ASSEMBLY W/ GASKET	SNR/A201
20	100135310	BURNER ASSEMBLY W/ GASKET	SNA286
20	100135311	BURNER ASSEMBLY W/ GASKET	SNA401-501
21	100208085	GASKET, BURNER	ALL
22	100173796	GAS AIR ARM ASSEMBLY W/ GASKET	SNR126
22	100173791	GAS AIR ARM ASSEMBLY W/ GASKET	SNR/A151
22	100173792	GAS AIR ARM ASSEMBLY W/ GASKET	SNR/A201, SNA286-401
22	100173793	GAS AIR ARM ASSEMBLY W/ GASKETS	SNA501
23	100173749	HEAT EXCHANGER ACCESS DOOR KIT	ALL
24	100292715	HEX DOOR TEMP SWITCH, BEGINNING SERIAL #F14	SNA286-501
MISCELLANEOUS			
25	100163249	SIGHT GLASS W/ GASKET	ALL
26	100208762	SIGHT GLASS GASKET	ALL
27	100289429	INSULATION, BURNER PLATE DOOR	ALL
28	100208061	INSULATION BAFFLE, DIVIDER PLATE	ALL
29	100277817	DISPLAY BEZEL LOWER	ALL
30	100189211	DISPLAY BEZEL UPPER	SNR126, SNR/A151 & 201
30	100189212	DISPLAY BEZEL UPPER	SNA286-501
31	100208446	T&P RELIEF VALVE, 3/4", 150 PSI	SNR126
31	100277759	T&P RELIEF VALVE, 3/4", 150 PSI	SNR/A151 & 201
31	100288438	T&P RELIEF VALVE, 3/4", 150 PSI	SNA286-501
32	100208315	CONDENSATE TRAP	ALL
33	100208243*	BLOCKED DRAIN SWITCH	ALL
34	100208556*	FLUE TEMP SENSOR KIT	SNR126, SNR/A151 & 201
34	100170642*	FLUE TEMP SENSOR KIT	SNA286-501
35	100208088	GASKET, DOOR RUBBER	ALL
36	100208107	GASKET, DOOR ROPE	ALL
37	100277782	FLUE COLLAR	SNR126, SNR/A151 & 201
37	100189054	KIT, FLUE COLLAR 4"	SNA286-501
38	100208654	ANODE ROD, MAGNESIUM	ALL
39	100208230	TRANSFORMER, 24V, 40VA	ALL
40	100208552*	SENSOR, SYSTEM / INLET	ALL
-	100233695*	HIGH LIMIT THERMOSTAT BULB WELL, 3/8 NPT	ALL
41	100289672	SEAL, KNOCK OUT	ALL
42	100208330	SEAL, KNOCK OUT 2 1/2"	ALL
43	100288585	VALVE DRAIN, 3/4", BRASS	ALL
44	100233625*	COPPER TUBE GASKET	SNR126, SNR/A151 & 201
44	100278051*	COPPER TUBE GASKET	SNA286
44	100233677*	COPPER TUBE GASKET	SNA401-501
-	100208807*	FUSE, 1.25 AMP	ALL
-	100208231*	FUSE, 3.15 AMP	ALL
-	100208232*	FUSE, 5 AMP	ALL
-	100208652*	LOW WATER CUT-OFF W/ MANUAL RESET	ALL
-	100148402	LIMIT, HEAT EXCHANGER OVER TEMP	SNA286-501
-	100277964	HARNESS, UNIT	SNR126, SNR/A151 & 201
-	100072938	HARNESS, UNIT	SNA286-501
-	100288498	HARNESS, POWER	SNR126, SNR/A151 & 201
-	100288500	HARNESS, POWER	SNA286-501
-	100288484	CORD, POWER	ALL
-	100288511	HARNESS, CONNECTION BOARD	SNR126, SNR/A151 & 201
-	100288512	HARNESS, CONNECTION BOARD	SNA286-501
-	100208620	HARNESS, ELECTRODE SPARK	ALL
-	100208622	HARNESS, ELECTRODE, FLAME SENSOR	ALL
-	100208636	CABLE, RIBBON	SNR126, SNR/A151 & 201
-	100208638	CABLE, RIBBON	SNA286-501
-	100208637	HARNESS, GAS VALVE	SNA401
-	100173314	HARNESS, GAS VALVE	SNA501
-	100159008	LP CONVERSION KIT	SNR126, SNR/A151
-	100159009	LP CONVERSION KIT	SNR/A201
-	100159010	LP CONVERSION KIT	SNA286
-	100159011	LP CONVERSION KIT	SNA401

PLEASE HAVE SERIAL NUMBER WHEN ORDERING PARTS
*ITEMS DENOTE SUGGESTED INVENTORY PARTS

ITEM NO.	PART NO.	DESCRIPTION	MODEL
PUMPS			
45	100208410	PUMP ASSEMBLY, 3-SPEED, 1/6 HP, WET ROTOR, BRONZE	SNR126, SNR/A151 & 201
45	100277785	PUMP ASSEMBLY, 3 SPEED, 1/6 HP, WET ROTOR, 1-1/4" FLANGE, SS	SNA286
45	100277957	PUMP ASSEMBLY, 3/4 HP, WET ROTOR, 2" FLANGE, SS	SNA401 & 501
JACKET ASSEMBLY			
46	100149767	JACKET, OUTER, TOP, FRONT	SNR126, SNR/A151 & 201
46	100149768	JACKET, OUTER, TOP, FRONT	SNA286-501
47	100149769	JACKET, OUTER, UPPER, REAR	SNR126, SNR/A151 & 201
47	100149770	JACKET, OUTER, UPPER, REAR	SNA286-501
48	100149771	JACKET, OUTER, UPPER, SIDE	SNR126, SNR/A151 & 201
48	100149772	JACKET, OUTER, UPPER, SIDE	SNA286-501
PLEASE HAVE SERIAL NUMBER WHEN ORDERING PARTS			
*ITEMS DENOTE SUGGESTED INVENTORY PARTS			

NOTES

NOTES

