



Lochinvar[®]
HIGH EFFICIENCY BOILERS & WATER HEATERS

**STAINLESS STEEL
INDIRECT WATER HEATER
Submittal Sheet**

SIT-Sub-02b

STAINLESS STEEL INDIRECT WATER HEATERS

JOB NAME _____

LOCATION _____

ARCH./ENGR. _____

WHOLESALER _____

MECH. CONTRACTOR _____

MODEL NO. _____

GALLON CAPACITY _____

NOTES

Standard Features

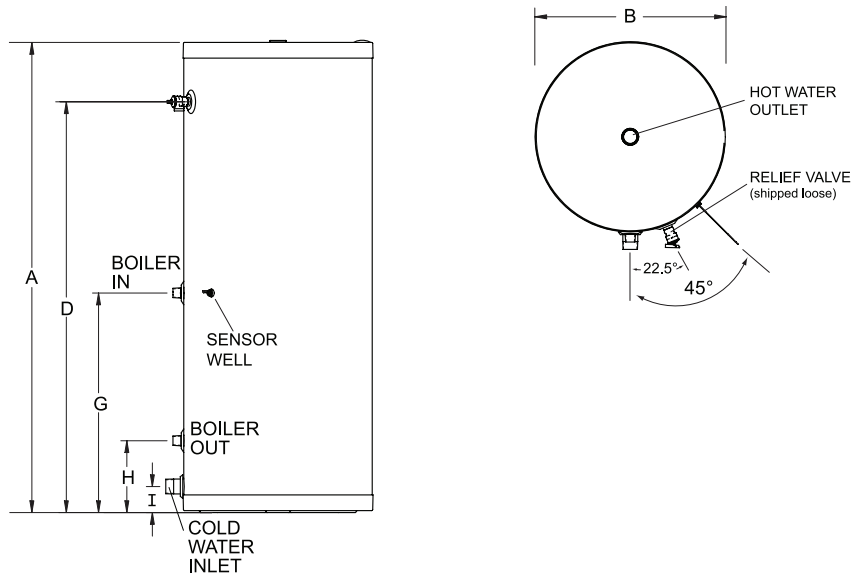
- Fully Welded Construction
- 100% Stainless Steel Construction
- Built in U.S.A. at Lochinvar World Headquarters
- 316L Passivated Stainless Steel Tank
- 316L Stainless Steel Heating Coil
- 1" Boiler Supply and Return Connections
- 1" Domestic Water Connections (30, 40, 50 models)
- 1-1/2" Domestic Water Connections (65, 80, 119 models)
- Non-HCFC High Density Foam Insulation
- Temperature and Pressure Relief Valve (Shipped Loose)
- Factory Supplied Tank Sensor
- Warranty - *Limited Lifetime*
Five year limited tank warranty on
all models when used in a commercial
application.
One year warranty on parts.
(See warranty for details)

Optional Equipment

Place an X in the box by all options that apply

Aqua Stat

Stainless Steel Indirect Water Heater Dimensions & Specifications



Model Number	A	B	D	G	H	I	Domestic Water Conn.	Coil Connection Size	Shipping Wt. (lbs.)
SIT030	39-1/2"	20"	32-1/4"	21-3/4"	8-1/4"	3"	1"	1"	79
SIT040	55-1/2"	20"	48-1/2"	25-1/4"	8-1/4"	3"	1"	1"	105
SIT050	47"	24"	39-3/4"	24-1/2"	9-1/4"	3-3/4"	1"	1"	131
SIT065	60"	24"	52-1/4"	28"	9-1/4"	3-1/4"	1-1/2"	1"	147
SIT080	69-1/2"	24"	61-3/4"	28"	9-1/4"	3-1/4"	1-1/2"	1"	177
SIT119	68-1/4"	28"	60-1/4"	31-3/4"	9-1/4"	3-1/4"	1-1/2"	1"	213

Model Number	Capacity (Gallons)	Heat Source Water Volume (Gallons)	Standby Loss (°F/Hr)	First Draw Gals.	Continuous Delivery (GPH)	1st Hour Delivery (Gallons)	Min. Coil Load (Btu/Hr)	Flow Rate (GPM)	Friction Loss (Ft. Hd.)
SIT030	27	1.1	1.5	24	160	184	99,000	14.0	3.9
SIT040	40	1.6	0.9	27	181	208	115,000	14.0	4.5
SIT050	52	1.7	0.9	45	210	255	133,000	14.0	5.3
SIT065	67	1.9	0.7	65	263	328	154,000	14.0	5.7
SIT080	82	2.1	0.6	74	266	340	160,000	14.0	5.7
SIT119	113	3.2	0.5	109	308	418	199,999	14.0	6.5

Performance data is based on IWH-TS1 test results. All ratings are based on 180°F boiler water temperature with incoming cold water at 58°F and a Delta T of 77°F. Includes tank sensor for use with KNIGHT Heating Boiler.

Optional thermostat available for use with other boiler models.



Lochinvar, LLC
300 Maddox Simpson Parkway
Lebanon, Tennessee 37090
P: 615.889.8900 / F: 615.547.1000
Lochinvar.com

