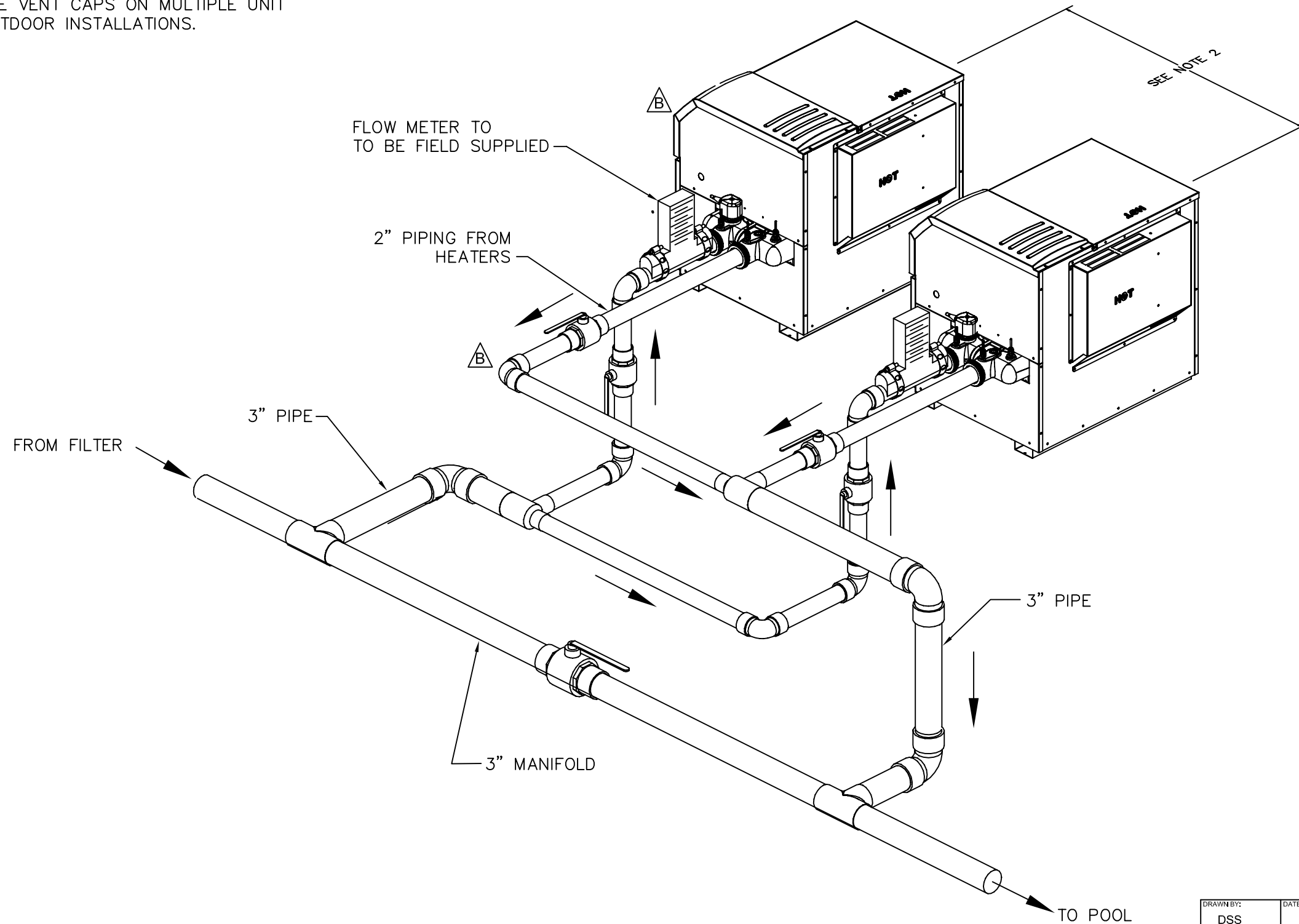


- NOTE:
 1. AN APPROPRIATE RELIEF VALVE MUST BE INSTALLED WHEN ISOLATED VALVES ARE SUPPLIED FOR EACH POOL HEATER.
 2. MAINTAIN A MINIMUM OF 48" BETWEEN THE VENT CAPS ON MULTIPLE UNIT OUTDOOR INSTALLATIONS.

RV	DESCRIPTION	ECO	DATE	APV
-	INITIAL RELEASE	4858	4-21-98	JM
A	ADD PIPE SIZES	061130-3	12-15-06	DG
B	UPDATE PIPE & UNITS	071001-2	11-12-07	CG
C	UPDATE PIPING POR TO MARKINGS		01/07/09	MC



DRAWN BY: DSS	DATE: 4-15-98
CHECKED BY: MC	DATE: 11-13-07
APPROVED BY: CG	DATE: 11-12-07
BLANK:	
MATERIAL:	

UNLESS OTHERWISE SPECIFIED
 DIMENSIONS ARE IN INCHES
 FINISH IN MICRONS

DECIMAL
 .X ±.125
 .XX ±.060
 .XXX ±.031

ANGULAR
 ± 1°

FINISH: $\sqrt{63}$

DEBURR AND BREAK
 ALL SHARP EDGES .005 MAX
 DO NOT SCALE THIS DRAWING



Lochinvar Corporation*
 300 Maddox Simpson Parkway
 Lebanon, TN 37090
 TEL 615-889-8900 FAX 615-547-1000
 www.lochinvar.com
 HIGH EFFICIENCY WATER HEATERS AND BOILERS

Title (2) POOL HEATERS W/ REVERSE FLOW	
Model "ER" POOL HEATER	
Dwg No. SLS0136	REV B
SIZE B	DO NOT SCALE
SHEET 1 OF 1	

CONFIDENTIAL
 THIS DRAWING IS THE PROPERTY OF LOCHINVAR CORPORATION
 AND CAN NOT BE ALTERED, REPRODUCED OR DISTRIBUTED
 WITHOUT WRITTEN PERMISSION