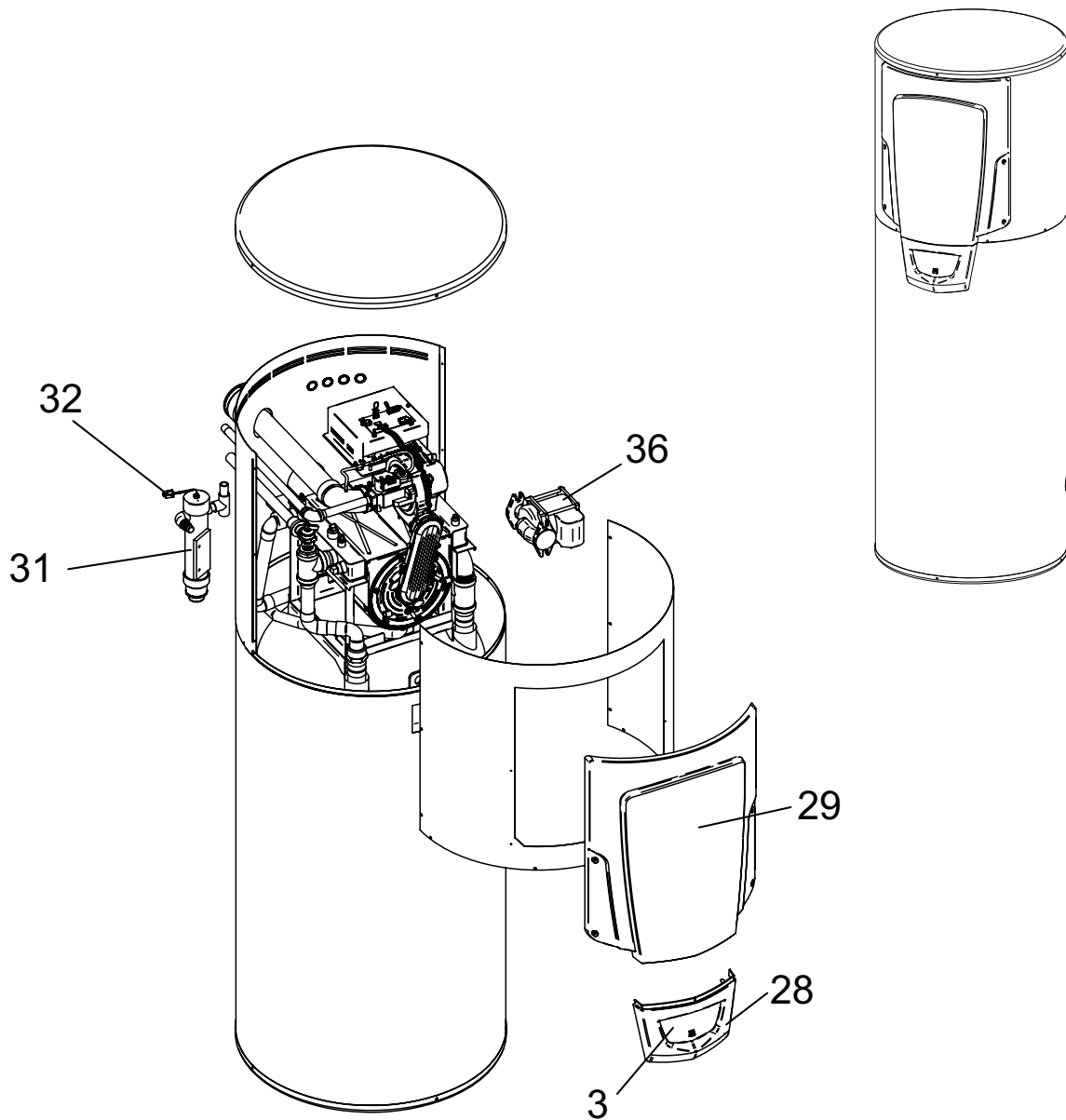




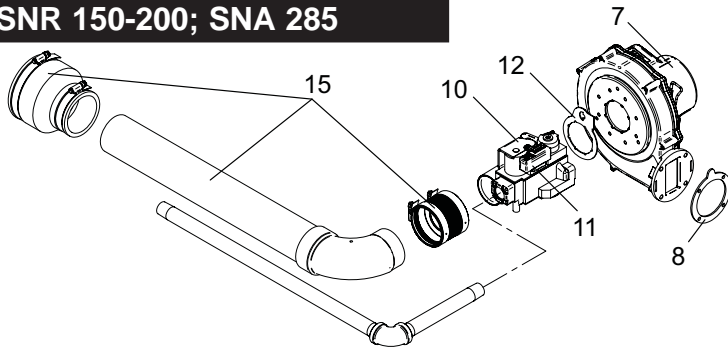
Replacement Parts List

PARTS & SERVICE DEPARTMENT
 Nashville, Tennessee
 615-889-8900 • Fax: 615-882-2918
 parts_team@lochinvar.com
 www.Lochinvar.com

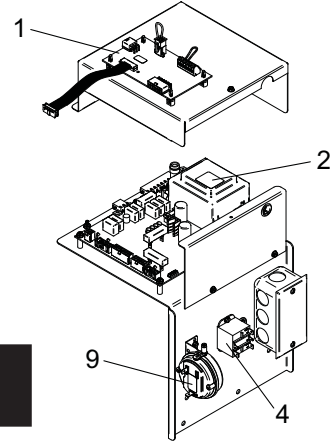
SHIELD™
 Water Heater
SNR150-100, 200-100
SNA285-125, 400-125, 500-125



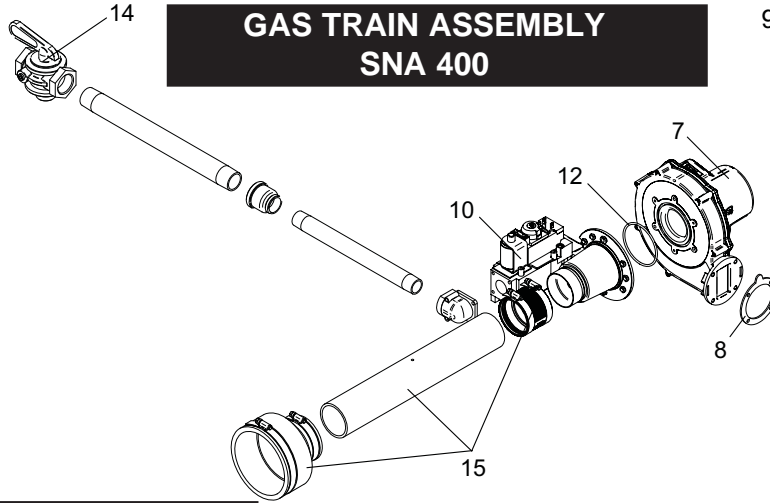
**GAS TRAIN ASSEMBLY
SNR 150-200; SNA 285**



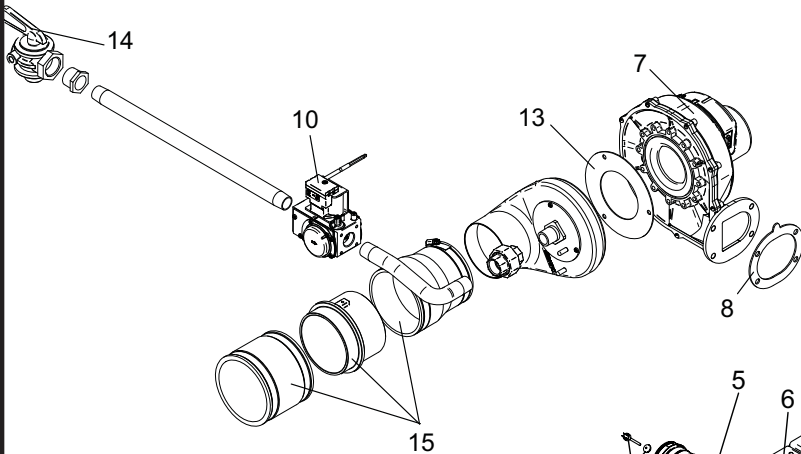
CONTROL PANEL ASSEMBLY



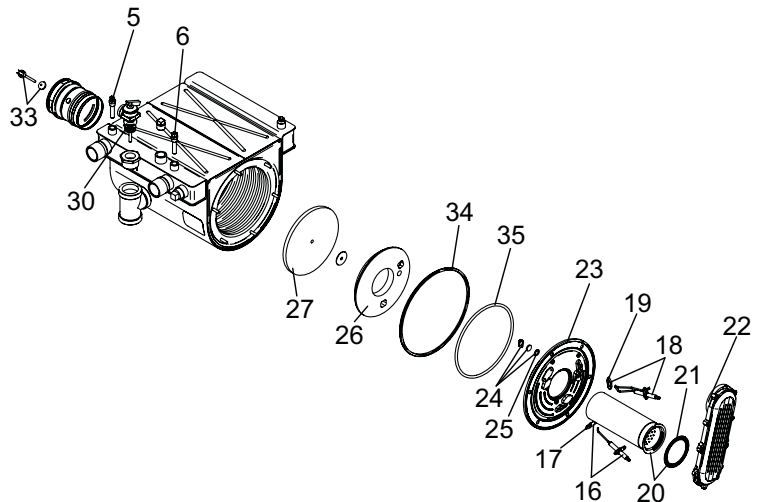
**GAS TRAIN ASSEMBLY
SNA 400**



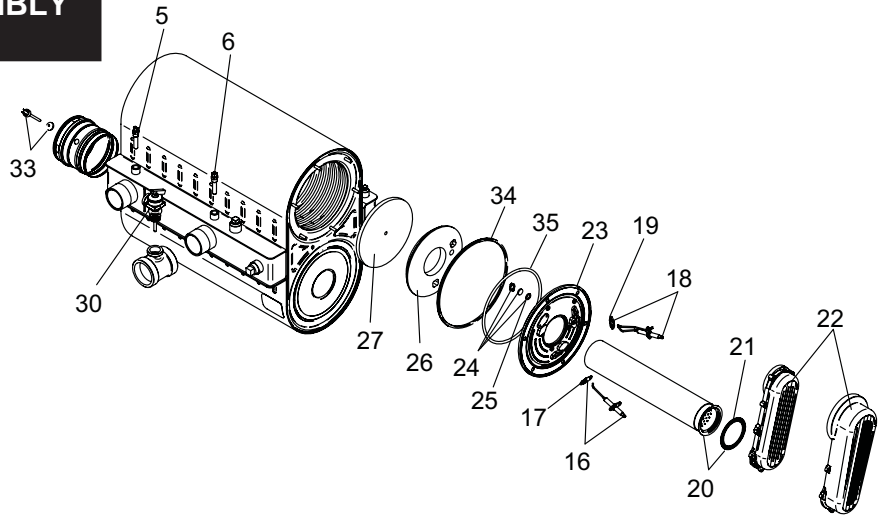
**GAS TRAIN ASSEMBLY
SNA 500**



**HEAT EXCHANGER ASSEMBLY
SNR 150-200**



HEAT EXCHANGER ASSEMBLY SNA 285-500



ITEM NO.	PART NO.	DESCRIPTION	MODEL
CONTROLS			
1	RLY20002	CONNECTION BOARD	ALL
2	RLY20001	INTEGRATED CONTROL	SNR150-200, SNA285
2	RLY20004	INTEGRATED CONTROL	SNA400
2	RLY20005	INTEGRATED CONTROL	SNA500
2	RLY30003	HIGH ALTITUDE INTEGRATED CONTROL	SNR150-200, SNA285
2	RLY30004	HIGH ALTITUDE INTEGRATED CONTROL	SNA400
2	RLY30005	HIGH ALTITUDE INTEGRATED CONTROL	SNA500
3	RLY2210	USER INTERFACE CONTROL	ALL
4	RLY2706	PUMP RELAY	ALL
5	TST2060	WATER TEMP SENSOR, INLET	ALL
6	TST2061	OUTLET SENSOR/ HIGHT LIMIT	ALL
7	FAN3031	FAN ASSEMBLY	SNR150
7	FAN3032	FAN ASSEMBLY	SNR200
7	FAN3033	FAN ASSEMBLY	SNA285
7	FAN3035	FAN ASSEMBLY	SNA400
7	FAN3037	FAN ASSEMBLY	SNA500
8	GKT2456	GASKET/ BLOWER	SNR200
8	GKT2436	GASKET/ BLOWER	SNR150, SNA285-400
8	GKT2438	GASKET/ BLOWER	SNA500
9	PRS20016	PRESSURE SWITCH	SNR150 & SNA285
9	PRS20017	PRESSURE SWITCH	SNR200 & SNA400
9	PRS2052	PRESSURE SWITCH	SNA500
GAS VALVES			
10	VAL3201	GAS VALVE ASSEMBLY	SNR150
10	VAL3202	GAS VALVE ASSEMBLY	SNR200
10	VAL3203	GAS VALVE ASSEMBLY	SNA285
10	VAL3204	GAS VALVE ASSEMBLY	SNA400
10	VAL3207	GAS VALVE ASSEMBLY	SNA500
11	MSC2233	GAS VALVE ON/OFF SWITCH	SNR150-200, SNA285
12	GKT2443	GAS VALVE GASKET	SNR150-200, SNA285
12	GKT2444	GAS VALVE GASKET	SNA400
13	GKT2080	AIR SHROUD GASKET	SNA500
14	GAC2029	GAS CUT OFF VALVE 1X1	SNA400-500
15	MSC30006	AIR INLET KIT	SNR150 & 200
15	MSC30007	AIR INLET KIT	SNA285
15	MSC30008	AIR INLET KIT	SNA400
15	MSC30009	AIR INLET KIT	SNA500

PLEASE HAVE SERIAL NUMBER AVAILABLE WHEN ORDERING PARTS

ITEM NO.	PART NO.	DESCRIPTION	MODEL
PILOT & BURNER ASSEMBLIES			
16	PLT3022	FLAME SENSOR WITH GASKET	ALL
17	GKT2450	FLAME SENSOR GASKET	ALL
18	PLT3021	IGNITER WITH GASKET	ALL
19	GKT2449	IGNITER GASKET	ALL
20	BNR3426	BURNER W/GASKET	SNR150
20	BNR3427	BURNER W/GASKET	SNR200
20	BNR3428	BURNER W/GASKET	SNA285
20	BNR3429	BURNER W/GASKET	SNA400-500
21	GKT2451	BURNER GASKET	ALL
22	WTR3082	GAS/AIR ARM ASSEMBLY W/ GASKET	SNR150
22	WTR3078	GAS/AIR ARM ASSEMBLY W/ GASKET	SNR200, SNA285-400
22	WTR3079	GAS/AIR ARM ASSEMBLY W/ GASKET	SNA500
23	WTR3080	HEAT EXCHANGER ACCESS DOOR KIT	ALL
MISCELLANEOUS			
24	MSC3180	SIGHT GLASS WITH GASKET	ALL
25	GKT2453	SIGHT GLASS GASKET	ALL
26	FIB2168	INSULATION, BURNER PLATE DOOR	ALL
27	FIB2167	INSULATION BAFFLE, DIVIDER PLATE	ALL
28	MSC20007	DISPLAY BEZEL LOWER	ALL
29	MSC20023	DISPLAY BEZEL UPPER	SNR150-200
29	MSC20037	DISPLAY BEZEL UPPER	SNA285-500
30	RLV1006	T & P RELIEF 3/4 X 150M (AFTER SERIALJ09C20011103)	SNR150-200
30	RLV2006	T & P RELIEF 3/4 X 150M (FOR SNR150-200 BEFORE SERIAL J09C20011103)	SNR150-200 & SNA285-400
30	RLV2017	T & P RELIEF 3/4 X 150M	SNA500
31	MSC20036	CONDENSATE TRAP	ALL
32	SWT2011	BLOCKED DRAIN SWITCH	ALL
33	TST3403	FLUE TEMP SENSOR KIT	ALL
34	GKT2455	GASKET DOOR RUBBER	ALL
35	GKT2452	GASKET DOOR ROPE	ALL
-	TST2044	1/4"BULBWELL	ALL
-	TST2032	TANK SENSOR	ALL
-	FUS2000	1.25 AMP	ALL
-	FUS2001	3.15 AMP	ALL
-	FUS2002	5 AMP	ALL
-	KIT30049	MRLWCO WITH TEST	ALL
-	KIT3087	NEUTRALIZER KIT	ALL
-	WTR2500	ANODE ROD, MAGNESIUM	ALL
-	HLC30000	LIMIT, HEAT EXCHANGER OVER TEMP	SNA285-500
-	WRE20003	HARNESS, UNIT	ALL
-	WRE20004	HARNESS, CONNECTION BOARD	ALL
-	WRE20005	HARNESS, POWER	ALL
-	WRE20021	CORD, POWER	ALL
-	WRE20029	HARNESS, AUXILIARY	ALL
-	WRE2200	HARNESS, SPARK ELECTRODE	ALL
-	WRE2211	HARNESS, FLAME SENSE ELECTRODE	ALL
-	WRE2229	CABLE, RIBBON	ALL
-	WRE2206	HARNESS, GAS VALVE	SNA400
-	WRE30000	HARNESS, GAS VALVE	SNA500
PUMPS			
36	PUM3010	PUMP W/ FLANGES AND HARDWARE	SNR150-200
36	PUM3011	PUMP W/ FLANGES AND HARDWARE	SNA285
36	PUM3012	PUMP W/ FLANGES AND HARDWARE	SNA400
36	PUM30003	PUMP W/ FLANGES AND HARDWARE	SNA500
-	TFL2117	PUMP FLANGE AND HARDWARE KIT USED PRIOR TO C08	SNA285
-	TFL2118	PUMP FLANGE AND HARDWARE KIT USED PRIOR TO C08	SNA400-500
PLEASE HAVE SERIAL NUMBER AVAILABLE WHEN ORDERING PARTS			