



Lochinvar[®]
HIGH EFFICIENCY BOILERS & WATER HEATERS

SHIELD™
WATER HEATER
Submittal Sheet

SWH-Sub-05

SHIELD COMMERCIAL GAS WATER HEATER

JOB NAME _____
LOCATION _____
ENGR. _____
WHOLESALER _____
MECH. CONTRACTOR _____
MODEL NO. _____
TYPE GAS _____
Btu/hr INPUT _____
RECOVERY RATE IN GPH _____ @ _____ °F RISE
NOTES

Standard Features

- Modulating Burner with 5:1 Turndown
- Operates at Temperatures up to 180°F for Sanitizing Applications
- Stainless Steel Heat Exchanger
- Glass-Lined Steel Tank
- Magnesium Anode Rods
- 150 PSI Working Pressure
- ASME Construction (SNA151–501)
- ASME Temperature and Pressure Relief Valve
- Zero Clearances to Combustible Material
- PVC, CPVC, Polypropylene and Stainless Steel Venting up to 100 Equivalent Feet
- Direct-Vent Sealed Combustion
- Rooftop and Sidewall Venting
- Sidewall Vent Termination
- Advanced SMART Control, with:
 - LCD Display
 - Time Clock
 - Night Setback
 - Alarm Contacts
 - Runtime Contacts
 - Manual Reset High Limit
 - 3 Water Temperature Sensors
 - Flue Temperature Sensor
 - Contacts for Louvers
 - Adjustable Pump Delay
 - Security Protection

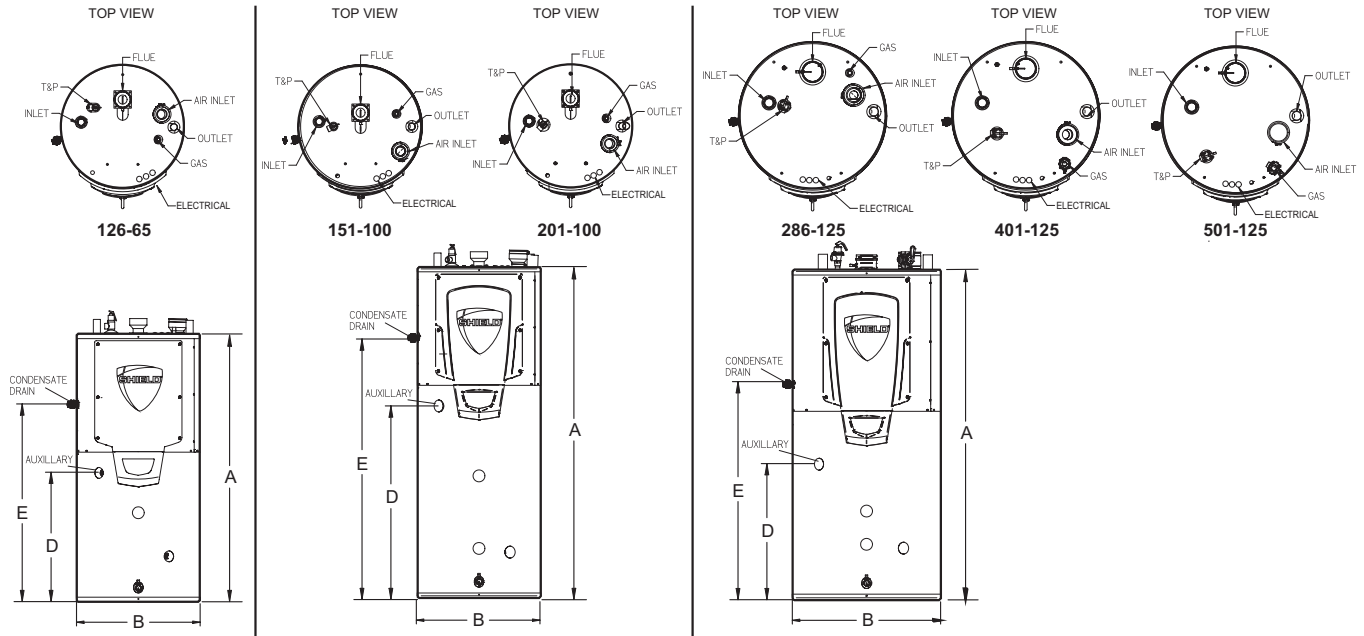
- Ultra Low-NOx Operation
- Low Gas Pressure Operation
- Direct-Spark Ignition
- Certified for Installation on Combustible Floors
- Full Port Brass Drain Valve
- 8-Foot Power Cord
- 3-Year Limited Warranty
- 1-Year Parts Warranty

Optional Equipment

Place an X in the box by all options that apply

- CON-X-US[®] Remote Connectivity
- Alarm Bell
- Concentric Vent Kit
- Condensate Neutralization Kit
- Low Water Cutoff
- Tank Side Tappings for Alternate Heat Source

SHIELD Commercial Gas Water Heater Dimensions & Specifications



Model Number	Btu/hr Input	Capacity (Gal)	GPH @ 100° Rise	First Hour	A	B	D	E	Gas Conn.	Water Conn.	Air Inlet	Vent Size	Shipping Wt. (lbs.)
SNR126-065	125,000	65	138	179	60-1/4"	28"	29-1/2"	45-1/4"	1/2"	1-1/2"	3"	3"	377
SNR151-100	150,000	90	165	227	75-1/2"	28"	44"	59-1/2"	1/2"	1-1/2"	3"	3"	700
SNR201-100	199,999	90	221	272	75-1/2"	28"	44"	59-1/2"	1/2"	1-1/2"	3"	3"	725
SNA151-100	150,000	90	165	227	75-1/2"	28"	44"	59-1/2"	1/2"	1-1/2"	3"	3"	700
SNA201-100	199,999	90	221	272	75-1/2"	28"	44"	59-1/2"	1/2"	1-1/2"	3"	3"	725
SNA286-125	285,000	120	314	380	75-1/2"	34"	31"	49"	3/4"	2"	4"	4"	800
SNA401-125	399,999	120	441	485	75-1/2"	34"	31"	49"	1"	2"	4"	4"	850
SNA501-125	500,000	120	552	576	75-1/2"	34"	31"	49"	1"	2"	4"	4"	875

Change N to L for LP gas. Field convertible to LP Gas Electrical Requirements: 120 VAC/60Hz/Phase A = ASME Construction All Information is subject to change.



Lochinvar, LLC
 300 Maddox Simpson Parkway
 Lebanon, Tennessee 37090
 P: 615.889.8900 / F: 615.547.1000
 Lochinvar.com

