



Lochinvar[®]
HIGH EFFICIENCY BOILERS & WATER HEATERS

**35 - 50 SERIES
COMMERCIAL GAS
WATER HEATER
Submittal Sheet**

SWSC-Sub-01

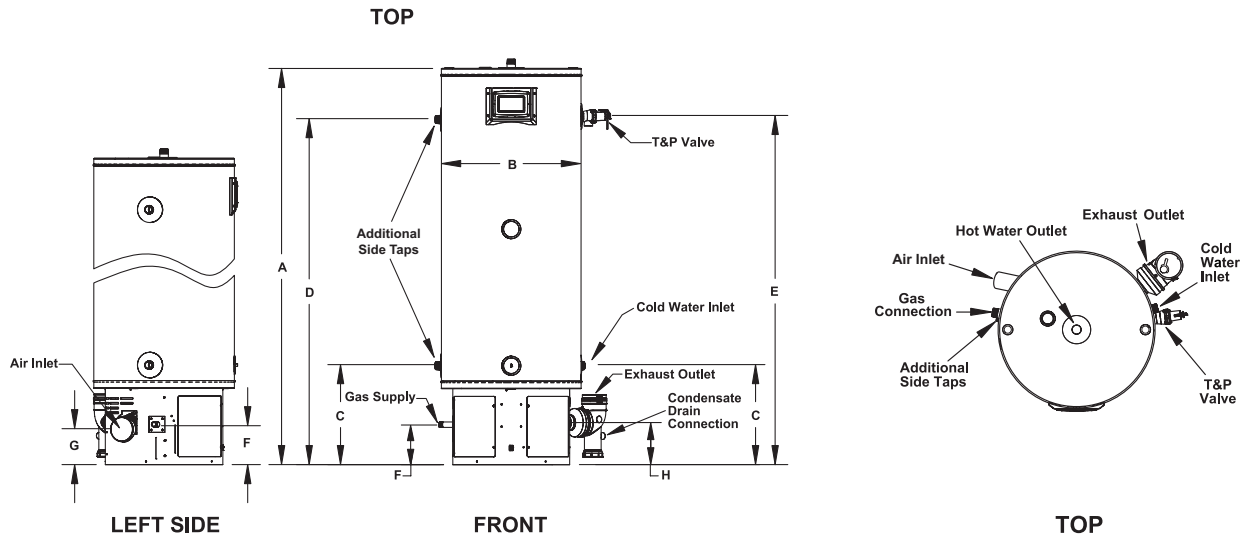
35 - 50 SERIES RESIDENTIAL OR COMMERCIAL GAS WATER HEATERS

JOB NAME _____
LOCATION _____
ENGINEER _____
WHOLESALE _____
MECH. CONTRACTOR _____
MODEL NO. _____
RECOVERY RATE IN GPH _____ @ _____ °F RISE
GALLON CAPACITY _____
VOLTAGE/PHASE _____
KW _____
NOTES

Standard Features

- Stainless Steel Construction
- Advanced Electronic Controls
- Power Direct Vent Design
- Ultra Low NOx Modulating Gas Burner
- Temperature and Pressure Relief Valve
- Residential Warranty - 10-year limited tank warranty, 1 Year Limited Parts Warranty
- Commercial Warranty - 3-year limited tank warranty, 1 Year Limited Parts Warranty
(See warranty for details)

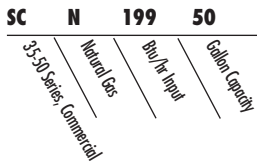
Dimensions & Specifications



| Model Number | Btu/hr Input | Gallon Cap. | GPH @ 90°F Rise | 1st Hour Recovery | Thermal Efficiency | A | B | C | D | E | F | Gas Conn | Water Conn | Vent Diameter | Ship Wt. |
|----------------------------------|--------------|-------------|-----------------|-------------------|--------------------|---------|-----|---------|---------|---------|--------|----------|------------|---------------|----------|
| 35-50 Series, Residential | | | | | | | | | | | | | | | |
| SWN100-035 | 100,000 | 34 | 129 | 156 | 96% | 48-1/2" | 22" | 15-3/4" | 40-1/2" | 41" | 6-1/2" | 1/2" | 1" | 2" or 3" | 150 |
| SWN130-035 | 130,000 | 34 | 165 | 192 | 96% | 48-1/2" | 22" | 15-3/4" | 40-1/2" | 41" | 6-1/2" | 1/2" | 1" | 2" or 3" | 150 |
| SWN150-035 | 150,000 | 34 | 190 | 217 | 94% | 48-1/2" | 22" | 15-3/4" | 40-1/2" | 41" | 6-1/2" | 1/2" | 1" | 2" or 3" | 150 |
| SWN130-050 | 130,000 | 50 | 165 | 205 | 95% | 62-1/2" | 22" | 15-3/4" | 54-1/2" | 55" | 6-1/2" | 1/2" | 1" | 2" or 3" | 176 |
| SWN150-050 | 150,000 | 50 | 190 | 230 | 95% | 62-3/4" | 22" | 15-3/4" | 55-3/4" | 56-1/4" | 6-1/2" | 1/2" | 1" | 2" or 3" | 180 |
| SWN175-050 | 175,000 | 50 | 222 | 262 | 96% | 62-3/4" | 22" | 15-3/4" | 55-3/4" | 56-1/4" | 6-1/2" | 1/2" | 1" | 3" | 180 |
| SWN199-050 | 199,000 | 50 | 253 | 293 | 96% | 62-3/4" | 22" | 15-3/4" | 55-3/4" | 56-1/4" | 6-1/2" | 1/2" | 1" | 3" | 180 |
| 35-50 Series, Commercial | | | | | | | | | | | | | | | |
| SCN130-035 | 130,000 | 34 | 165 | 192 | 96% | 48-1/2" | 22" | 15-3/4" | 40-1/2" | 41" | 6-1/2" | 1/2" | 1" | 2" or 3" | 150 |
| SCN150-035 | 150,000 | 34 | 190 | 217 | 94% | 48-1/2" | 22" | 15-3/4" | 40-1/2" | 41" | 6-1/2" | 1/2" | 1" | 2" or 3" | 150 |
| SCN130-050 | 130,000 | 50 | 165 | 205 | 95% | 62-1/2" | 22" | 15-3/4" | 54-1/2" | 55" | 6-1/2" | 1/2" | 1" | 2" or 3" | 176 |
| SCN150-050 | 150,000 | 50 | 190 | 230 | 95% | 62-3/4" | 22" | 15-3/4" | 55-3/4" | 56-1/4" | 6-1/2" | 1/2" | 1" | 2" or 3" | 180 |
| SCN175-050 | 175,000 | 50 | 222 | 262 | 96% | 62-3/4" | 22" | 15-3/4" | 55-3/4" | 56-1/4" | 6-1/2" | 1/2" | 1" | 3" | 180 |
| SCN199-050 | 199,000 | 50 | 253 | 293 | 96% | 62-3/4" | 22" | 15-3/4" | 55-3/4" | 56-1/4" | 6-1/2" | 1/2" | 1" | 3" | 180 |

* In the model number, "N" indicates natural gas; replace "N" with "L" to indicate LP gas models.
The SWN100-035 model has a 33 gallon rated storage capacity, a 0.90% UEF rating and a 179 GPH First Hour Rating.

FOR EASE IN ORDERING BY MODEL NUMBER



This is a natural gas 35-50 /series water heater. It has standard construction, 199,999 Btu/hr, and 50 gallon storage capacity.



Lochinvar, LLC
300 Maddox Simpson Parkway
Lebanon, Tennessee 37090
P: 615.889.8900 / F: 615.547.1000
Lochinvar.com

