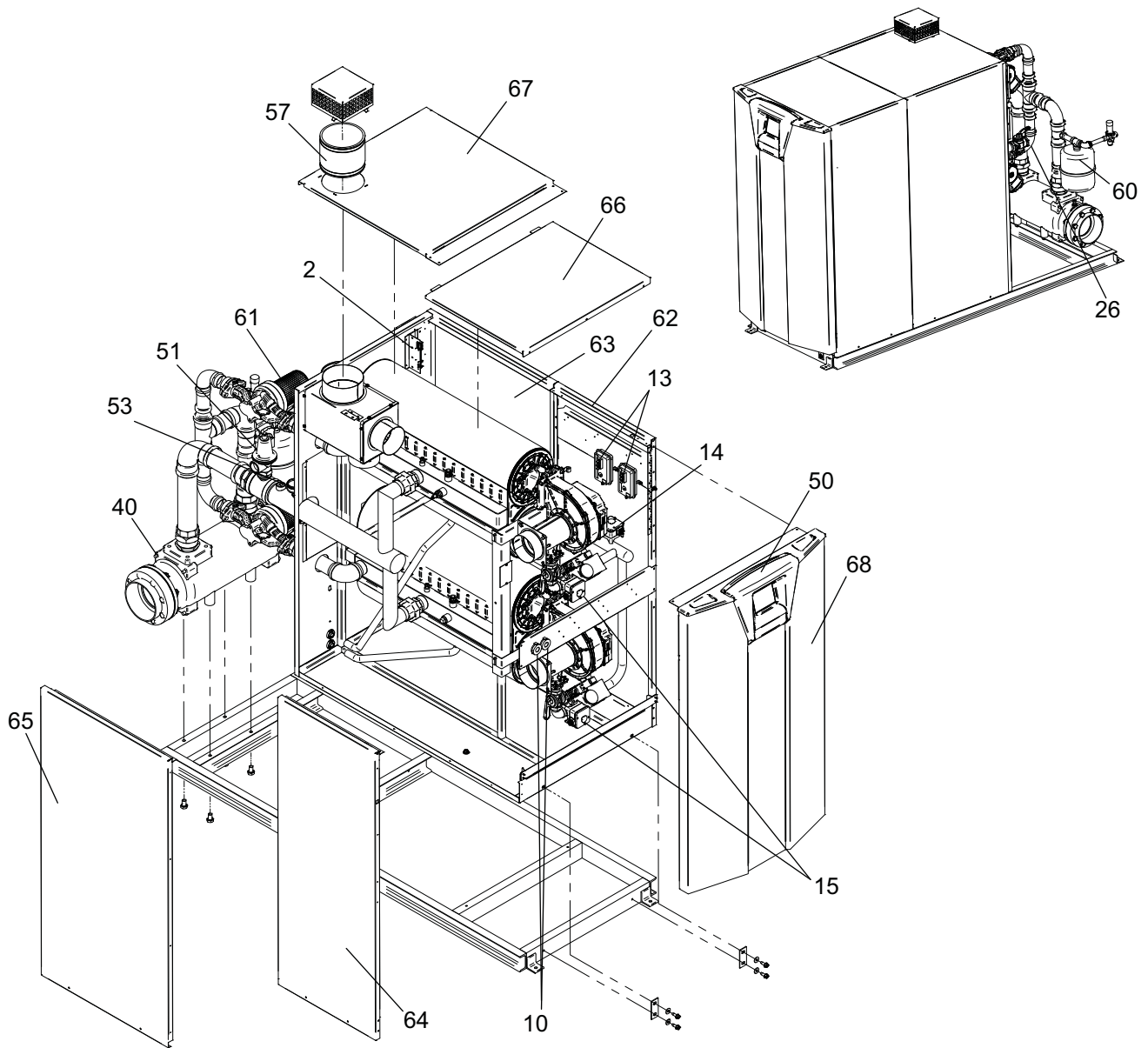




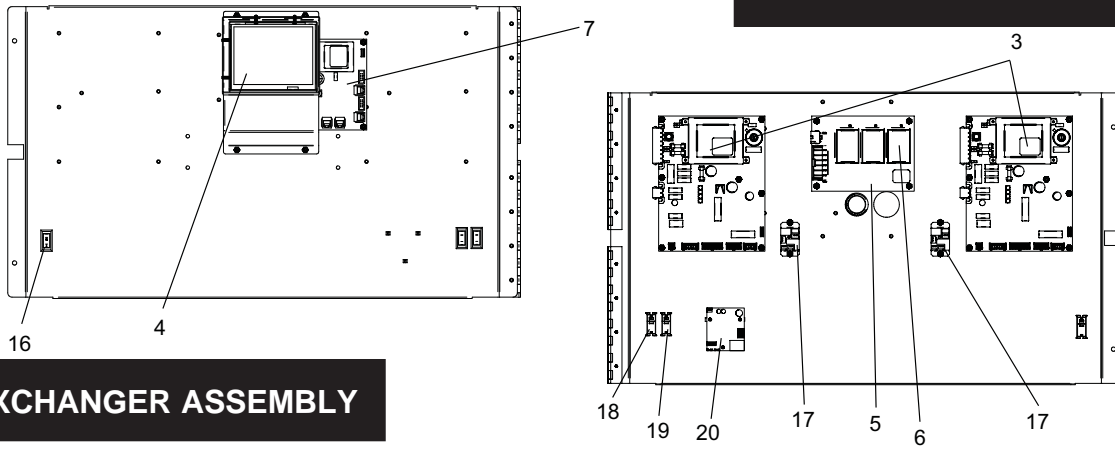
PARTS & SERVICE DEPARTMENT
 Nashville, Tennessee
 615-889-8900 • Fax: 615-882-2918
 parts_team@lochinvar.com
 www.Lochinvar.com

Replacement Parts List

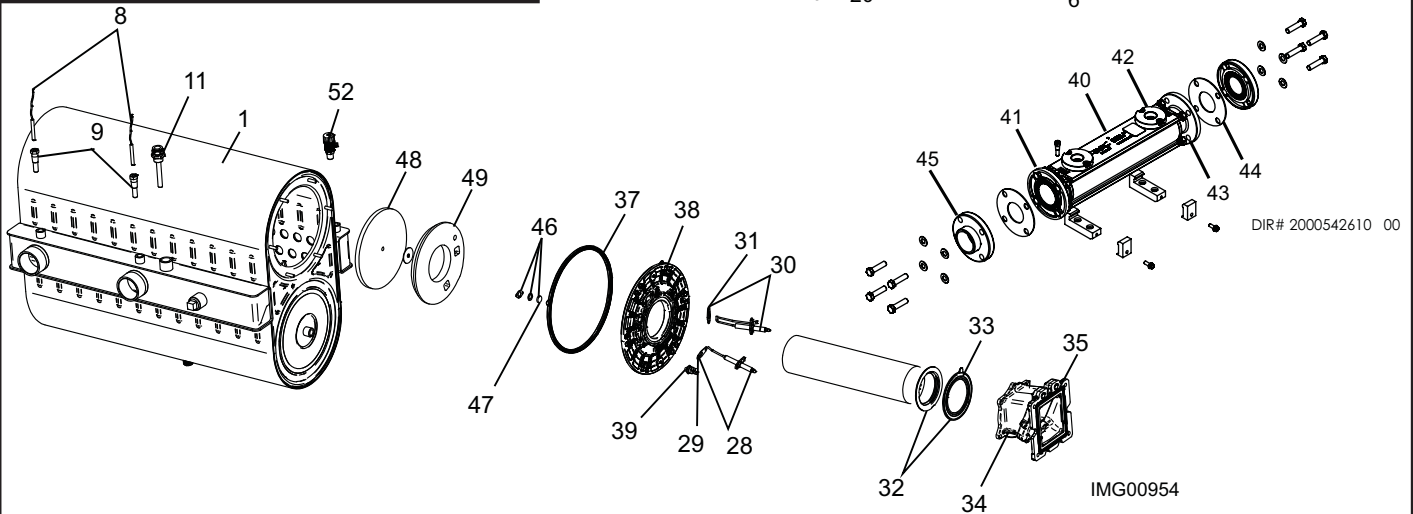
SYNC®
AQUAS™ COMMERCIAL POOL PACKAGE
XPN 1.0 - 1.5



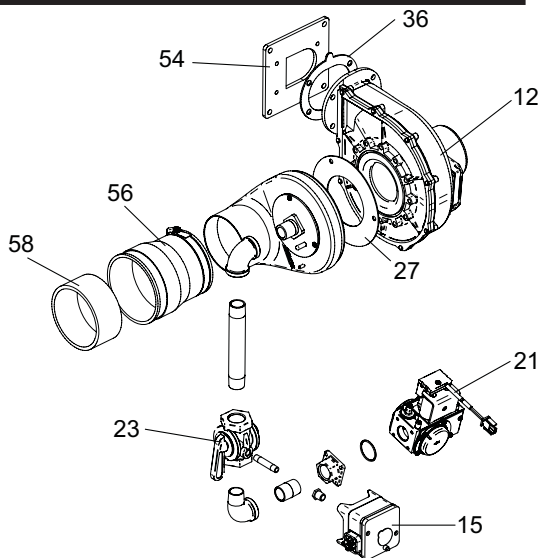
CONTROL PANEL ASSEMBLY



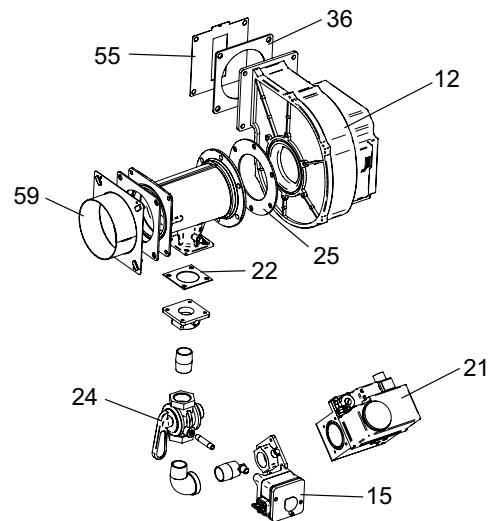
HEAT EXCHANGER ASSEMBLY



GAS TRAIN XPN 1.0



GAS TRAIN XPN 1.3, 1.5



ITEM NO.	PART NO.	DESCRIPTION	MODEL
HEAT EXCHANGER ASSEMBLY			
1	100147302	HEAT EXCHANGER	XP 1000
1	100147303	HEAT EXCHANGER	XP 1300
1	100147304	HEAT EXCHANGER	XP 1500
CONTROLS			
2	100208467	LOW VOLTAGE CONNECTION BOARD	ALL

PLEASE HAVE MODEL AND SERIAL NUMBER WHEN ORDERING PARTS

ITEM NO.	PART NO.	DESCRIPTION	MODEL
CONTROLS (CONTINUED)			
3	100167846	INTEGRADED CONTROL	XP1000
3	100167848	INTEGRADED CONTROL	XP 1300-1500
3	100167847	INTEGRATED CONTROL, HIGH ALTITUDE	XP 1000
3	100167849	INTEGRATED CONTROL, HIGH ALTITUDE	XP 1300-1500
4	100167787	LCD DISPLAY	ALL
5	100208493	PUMP RELAY BOARD	ALL
6	100208502	1.5HP PUMP RELAY	ALL
7	100167571	ECS CONTROL BOARD	ALL
8	100208552	INLET/OUTLET SENSOR	ALL
9	100208569	BULBWELL, INLET/OUTLET SENSOR	ALL
10	100208179	MANUAL RESET HIGH LIMIT	ALL
11	100233695	BULBWELL, HIGH LIMIT	ALL
12	100144984	FAN ASSEMBLY	XP 1000
12	100144980	FAN ASSEMBLY	XP 1300-1500
13	100208393	AIR PRESSURE SWITCH	ALL
13	100166112	AIR PRESSURE SWITCH, HIGH ALTITUDE	ALL
14	100208392	GAS PRESSURE SWITCH, LOW	ALL
15	100166148	GAS PRESSURE SWITCH, HIGH	ALL
16	100208242	ON/OFF SWITCH	ALL
17	100208495	RELAY, 24VAC	ALL
18	100169472	MOMENTARY OFF SWITCH, RED	ALL
19	100169473	MOMENTARY OFF SWITCH, BLACK	ALL
20	100173747	LOW WATER CUT-OFF, MANUAL RESET	ALL
20	100173748	LOW WATER CUT-OFF, AUTO RESET	ALL
-	100173648	PROBE, LWCO	ALL
-	100173640	BOOT, LWCO	ALL
GAS VALVES			
21	100171924	GAS VALVE ASSEMBLY NAT	XPN1000
21	100171925	GAS VALVE ASSEMBLY NAT	XPN1300
21	100171926	GAS VALVE ASSEMBLY NAT	XPN1500
21	100171932	GAS VALVE ASSEMBLY LP	XPL1000
21	100171933	GAS VALVE ASSEMBLY LP	XPL1300
21	100171934	GAS VALVE ASSEMBLY LP	XPL1500
22	100208105	GAS VALVE GASKET	XP 1300-1500
23	100146148	GAS CUT OFF VALVE 3/4"	XP 1000
24	100146149	GAS CUT OFF VALVE 1X1	XP 1300-1500
25	100233705	GASKET, VENTURI	XP 1300-1500
26	100171912	GAS CUT OFF VALVE 1 1/2"	ALL
27	100233703	AIR SHROUD GASKET	XP 1000
PILOT & BURNER ASSEMBLIES			
28	100165931	FLAME SENSOR W/ GASKET	ALL
29	100208091	GASKET, FLAME SENSOR	ALL
30	100165920	IGNITER W/ GASKET	ALL
31	100208086	GASKET, IGNITER	ALL
32	100135261	BURNER W/ GASKET	XP 1000
32	100135262	BURNER W/ GASKET	XP 1300
32	100135263	BURNER W/ GASKET	XP 1500
33	100233594	GASKET, BURNER	ALL
34	100173641	FLAPPER VALVE ASSEMBLY & STABILATOR	ALL
35	100233609	GASKET, FLAPPER VALVE	ALL
36	100208089	GASKET, FAN	XP 1300-1500
36	100208759	GASKET, FAN	XP 1000
37	100208093	GASKET, DOOR, RUBBER	ALL
38	100173799	HEX ACCESS DOOR KIT	ALL
39	100094572	HEX DOOR TEMP SWITCH BEGINNING SN# F14	ALL
INDIRECT HEAT EXCHANGER			
40	100208920	KIT, HEAT EXCHANGER, INDIRECT, CUNI, 1.5, SVC	XP 1000
40	100285797	KIT, HEAT EXCHANGER, INDIRECT, CUNI, 2.0, SVC	XP 1300-1500
PLEASE HAVE MODEL AND SERIAL NUMBER WHEN ORDERING PARTS			

ITEM NO.	PART NO.	DESCRIPTION	MODEL
INDIRECT HEAT EXCHANGERS (CONTINUED)			
40	100208923	KIT, HEAT EXCHANGER, INDIRECT, TI, 1.5, SVC	XP 1000
40	100208924	KIT, HEAT EXCHANGER, INDIRECT, TI, 2.0, SVC	XP 1300-1500
41	100209140	KIT, END CAP FLANGE, 4"	XP 1000
41	100209141	KIT, END CAP FLANGE, 6"	XP 1300-1500
42	100208989	KIT, O-RING, 139.7 X 5.33, END CAP	ALL
43	100232478	KIT, O-RING, 78.97 X 3.53, BOILER CONNECTION	ALL
44	100146433	GASKET, 4", EPDM	XP 1000
44	100146431	GASKET, 6", EPDM	XP 1300-1500
45	100166550	FLANGE, 4", CPVC	XP 1000
45	100166549	FLANGE, 6", CPVC	XP 1300-1500
MISCELLANEOUS			
46	100163249	SIGHT GLASS	ALL
47	100208762	GASKET, SIGHT GLASS	ALL
48	100208061	DIVIDER PLATE, INSULATION BAFFLE	ALL
49	100208059	BURNER PLATE, INSULATION, DOOR	ALL
50	100162957	DISPLAY BEZEL	ALL
51	100167384	RELIEF VALVE, 30 PSI	XP 1000
51	100167564	RELIEF VALVE, 30 PSI	XP 1300-1500
52	100167445	AIR VENT VALVE	ALL
53	100208152	GAUGE, TRIOMETER, 75# PSI	ALL
54	100149666	ADAPTER, FAN	XP 1000
55	100150174	AIR SHUTTER	XP 1300
56	100138385	COUPLING - 4"	XP 1000
57	100138301	COUPLING - 6"	ALL
58	100166490	INLET STIFFENER	XP 1000
59	100151317	INLET ADAPTER	XP 1300-1500
60	100143781	EXPANSION TANK, 2 GAL	ALL
-	100208807	FUSE, 1.25 AMP	ALL
-	100208231	FUSE, 3.15 AMP	ALL
-	100208232	FUSE, 5 AMP	ALL
-	100163242	CONDENSATE TRAP	ALL
-	100208243	BLOCKED DRAIN SWITCH	ALL
-	100170652	FLUE TEMP SENSOR KIT	ALL
-	100157700	NEUTRALIZER KIT	ALL
-	100157719	ALARM BELL KIT	ALL
-	100157612	SIDEWALL VENT KIT	ALL
-	100157628	HEAT EXCHANGER CLEANING KIT	ALL
-	100208308	DOOR CATCH	ALL
-	100208818	DOOR STRIKE	ALL
-	100148402	LIMIT, HEAT EXCHANGER OVER TEMP	ALL
PUMP			
61	100166416	PUMP ASSEMBLY	ALL
JACKET ASSEMBLIES			
62	100149699	JACKET, OUTER SIDE, RIGHT FRONT	ALL
63	100150493	JACKET, OUTER SIDE, RIGHT REAR	XP 1000
63	100150509	JACKET, OUTER SIDE, RIGHT REAR	XP 1300
63	100150510	JACKET, OUTER SIDE, RIGHT REAR	XP 1500
64	100149700	JACKET, OUTER SIDE, LEFT FRONT	ALL
65	100150490	JACKET, OUTER SIDE, LEFT REAR	XP 1000
65	100150506	JACKET, OUTER SIDE, LEFT REAR	XP 1300
65	100150508	JACKET, OUTER SIDE, LEFT REAR	XP 1500
66	100150494	JACKET, OUTER FRONT TOP	ALL
67	100150488	JACKET, OUTER REAR TOP	XP 1000
67	100150504	JACKET, OUTER REAR TOP	XP 1300
67	100150505	JACKET, OUTER REAR TOP	XP 1500
68	100149701	JACKET, FRONT DOOR ASSEMBLY	ALL

PLEASE HAVE MODEL AND SERIAL NUMBER AVAILABLE WHEN ORDERING PARTS