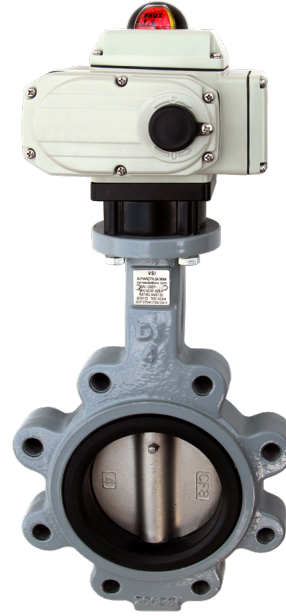


### MOTORIZED VALVE FOR PRIMARY FLOW SYSTEMS

#### DESIGNED FOR USE WITH CREST & FTXL BOILERS

When designing a primary flow boiler system isolating the non-firing boilers from the system is common practice. Lochinvar's two way motorized valve is designed for seamless operation with the Boiler. This helps to optimize the boiler system efficiency while saving energy.

When used with a boiler no external controller is required. The Smart Touch control powers the two way valve open and closed. In cascaded boiler systems the minimum number of valves that are always open is programmable using the Smart Touch control. Each valve is equipped with an external display that indicates the valves position.



### TWO WAY MOTORIZED VALVE DIMENSIONS & SPECIFICATIONS

| SAP Number | Boiler Models     | Pipe Size | Dimensions |        |        |        |         |        | Bolt Hole Pattern | NEMA 4 Certification |
|------------|-------------------|-----------|------------|--------|--------|--------|---------|--------|-------------------|----------------------|
|            |                   |           | A          | B      | C      | D      | E       | F      |                   |                      |
| T00071725  | FTX400 - 600      | 2"        | 3-1/4"     | 6-1/2" | 3"     | 4"     | 10"     | 1-3/4" | 4                 | Indoor               |
| T00071726  | FTX725 - 850      | 2-1/2"    | 3-1/4"     | 7"     | 3"     | 4"     | 10"     | 2"     | 4                 | Indoor               |
| T00266962  | FB 751 - 1251     | 3"        | 4"         | 7-1/4" | 3-1/2" | 5-1/4" | 11"     | 2"     | 4                 | Indoor               |
| T00312760  | FB/OF 751 - 1251  | 3"        | 6-1/2"     | 7-1/4" | 3-3/4" | 5-3/4" | 6-1/2"  | 2"     | 4                 | Yes                  |
| T00157681  | FB 1501 - 4001    | 4"        | 5-1/4"     | 8"     | 4"     | 5-1/2" | 11-1/2" | 2"     | 8                 | Indoor               |
| T00312791  | FB/OF 1501 - 4001 | 4"        | 5-1/2"     | 8"     | 4-1/2" | 5-3/4" | 6-1/2"  | 2"     | 8                 | Yes                  |
| T00280019  | FB/OF 5001 - 6001 | 6"        | 8-1/2"     | 9"     | 5-1/2" | 6-1/4" | 10"     | 2-1/4" | 8                 | Yes                  |

#### STANDARD FEATURES

- 120 VAC Actuator
- End Switch (Crest only)
- Certifications: CSA
- Maximum Working Pressure 200psi
- 416 Stainless Steel Stem
- 304 Stainless Steel Disc
- EPDM Seal
- Junction Box (Crest Only)
- 120 VAC Relay

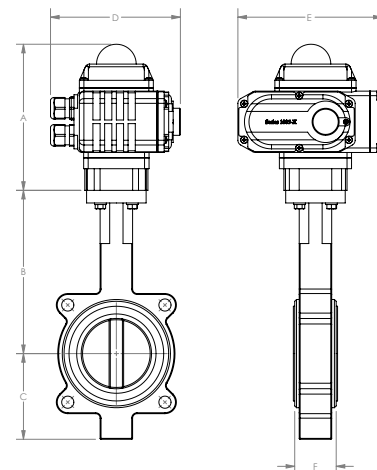


Image representation of NEMA 4 Certified Valve