



Lochinvar[®]
HIGH EFFICIENCY BOILERS & WATER HEATERS

**Two Way Motorized Valve
Submittal Sheet**

TWV-Sub-02

TWO WAY MOTORIZED VALVE

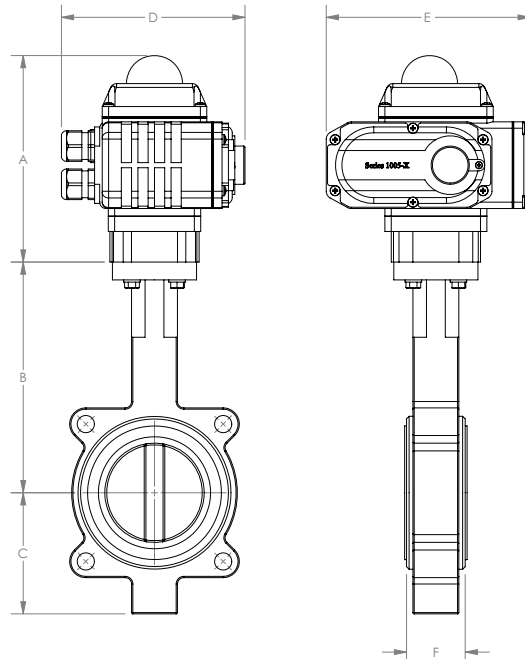
JOB NAME _____
 LOCATION _____
 ENGINEER _____
 WHOLESALER _____
 MECH. CONTRACTOR _____
 MODEL NO. _____
 NOTES _____

TWO WAY MOTORIZED VALVE DIMENSIONS & SPECIFICATIONS

SAP Number	Boiler Models	Pipe Size	Dimensions					
			A	B	C	D	E	F
<input type="checkbox"/> 100266962	FB 751 - 1251	3"	6-1/2"	7-1/4"	3-3/4"	5-3/4"	6-1/2"	2"
<input type="checkbox"/> 100157681	FB 1501 - 5000	4"	6-1/2"	8"	4-1/2"	5-3/4"	6-1/2"	2"

Standard Features

- 120 VAC Actuator
- End Switch
- Certifications: NEMA 4, CSA
- Maximum Working Pressure 200psi
- 416 Stainless Steel Stem
- 304 Stainless Steel Disc
- EPDM Seal
- Junction Box
- 120 VAC Relay



Lochinvar[®]
HIGH EFFICIENCY BOILERS & WATER HEATERS

Lochinvar, LLC
300 Maddox Simpson Parkway
Lebanon, Tennessee 37090
P: 615.889.8900 / F: 615.547.1000

