



**Lochinvar**<sup>®</sup>  
HIGH EFFICIENCY BOILERS & WATER HEATERS

**Variable Speed  
Pump  
Submittal Sheet**

---

**VSP-Sub-03**

**VARIABLE SPEED PUMP**

**JOB NAME** \_\_\_\_\_

**LOCATION** \_\_\_\_\_

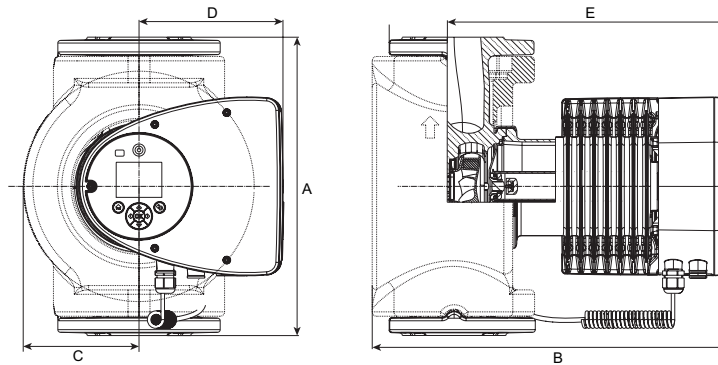
**ENGINEER** \_\_\_\_\_

**WHOLESALER** \_\_\_\_\_

**MECH. CONTRACTOR** \_\_\_\_\_

**MODEL NO.** \_\_\_\_\_

**NOTES**



Model Number	Volt	Max Amps	Pipe Size	A	B	C	D	E
PUM20077	115 VAC	2.5	1-1/2"	8-1/2"	14-3/4"	4-1/4"	6-1/2"	12"
PUM20078	115 VAC	5.6	2"	11"	15-3/4"	5"	6-1/2"	12"
PUM20079	208/230 VAC 1PH	4.6	3"	14-1/4"	17"	6-1/2"	6-1/2"	12-1/2"
PUM20080	208/230 VAC 1PH	7.0	4"	17-3/4"	17-3/4"	7"	6-1/2"	13"

**Standard Features**

- Digital Display
- Composite Rotor Can
- 316 L Stainless Steel Shaft
- Composite Impeller
- Cast Iron Housing
- Pump Status Indicator
- Alarm Contacts



**Lochinvar**<sup>®</sup>  
HIGH EFFICIENCY BOILERS & WATER HEATERS

Lochinvar, LLC  
300 Maddox Simpson Parkway  
Lebanon, Tennessee 37090  
P: 615.889.8900 / F: 615.547.1000

