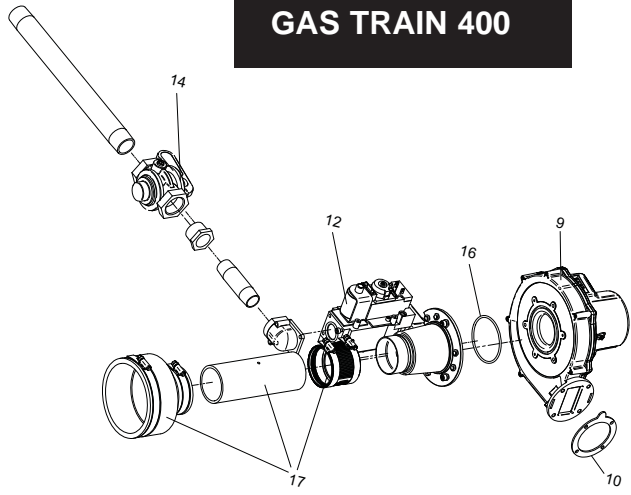
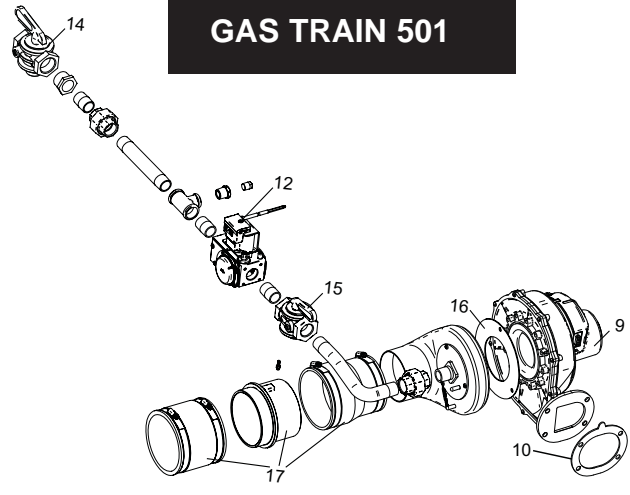


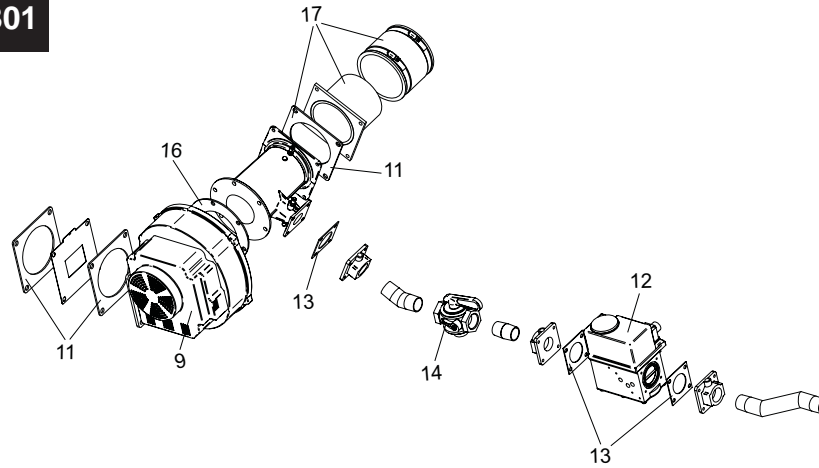
GAS TRAIN 400



GAS TRAIN 501

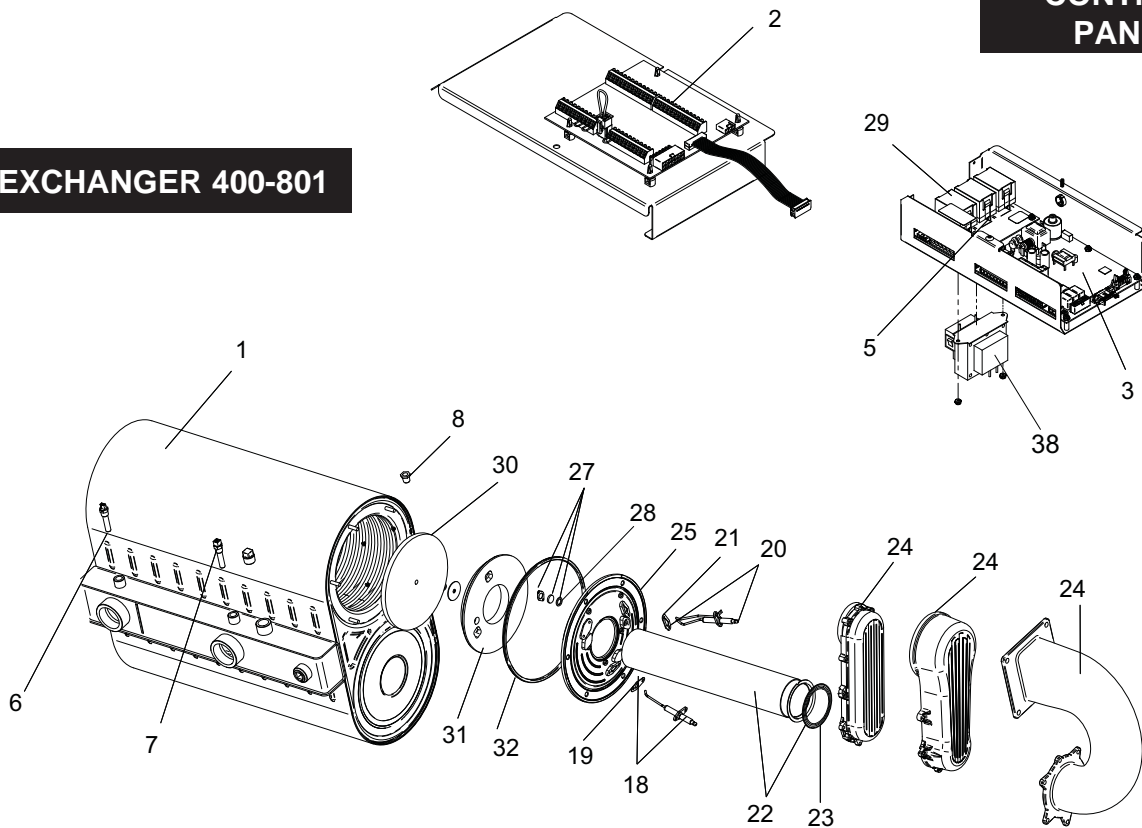


GAS TRAIN 601-801



CONTROL PANEL

HEAT EXCHANGER 400-801



ITEM NO.	PART NO.	DESCRIPTION	MODEL
HEAT EXCHANGER ASSEMBLY			
1	HEX3081	HEAT EXCHANGER	XPN400
1	HEX3082	HEAT EXCHANGER	XPN501
1	HEX3088	HEAT EXCHANGER	XPN601
1	HEX3089	HEAT EXCHANGER	XPN701
1	HEX3090	HEAT EXCHANGER	XPN801
CONTROLS			
2	RLY20062	LOW VOLTAGE CONNECTION BOARD	ALL
3	RLY30058	INTEGRATED CONTROL PRIOR TO H10	XPN400
3	RLY30072	INTEGRATED CONTROL BEGINNING H10	XPN400
3	RLY30059	INTEGRATED CONTROL PRIOR TO H10	XPN501
3	RLY30073	INTEGRATED CONTROL BEGINNING H10	XPN501
3	RLY30060	INTEGRATED CONTROL PRIOR TO H10	XPN601 - 801
3	RLY30074	INTEGRATED CONTROL BEGINNING H10	XPN601 - 801
4	RLY20058	USER INTERFACE CONTROL	ALL
5	RLY2085	RELAY BOARD, 1.5 HP PUMP	ALL
6	TST2060	INLET SENSOR	ALL
7	TST20009	OUTLET SENSOR/ HIGH LIMIT	ALL
8	RLV30000	AIR VENT VALVE	ALL
9	FAN3035	FAN ASSEMBLY	XPN400
9	FAN3037	FAN ASSEMBLY	XPN501
9	FAN30001	FAN ASSEMBLY	XPN601 - 801
10	GKT2436	BLOWER/AIR ARM GASKET	XPN400
10	GKT2438	BLOWER/AIR ARM GASKET	XPN501
11	GKT2034	BLOWER/AIR ARM GASKET	XPN601 - 801
GAS VALVES			
12	VAL3204	GAS VALVE ASSEMBLY	XPN400
12	VAL3207	GAS VALVE ASSEMBLY, NAT	XPN501
12	VAL3212	GAS VALVE ASSEMBLY, NAT	XPN601
12	VAL30006	GAS VALVE ASSEMBLY, NAT	XPN701
12	VAL3213	GAS VALVE ASSEMBLY, NAT	XPN801
12	VAL30011	GAS VALVE ASSEMBLY, LP	XPN501
12	VAL30012	GAS VALVE ASSEMBLY, LP	XPN601
12	VAL30013	GAS VALVE ASSEMBLY, LP	XPN701
12	VAL30014	GAS VALVE ASSEMBLY, LP	XPN801
13	GKT2050	GAS VALVE GASKET	XPN601 - 801
14	GAC2029	GAS CUT OFF VALVE 1X1	XPN400, 601-801
15	GAC2028	GAS CUT OFF VALVE 3/4 X 3/4	XPN501
16	GKT2444	GASKET, VENTURI	XPN400
16	GKT2080	AIR SHROUD GASKET	XPN501
16	GKT2049	GASKET, VENTURI	XPN601 - 801
17	MSC3185	AIR INLET KIT	XPN400
17	MSC3187	AIR INLET KIT	XPN501
17	MSC3186	AIR INLET KIT	XPN601 - 801
PILOT & BURNER ASSEMBLIES			
18	PLT3022	FLAME SENSOR W/ GASKET	XPN400/501
18	PLT3023	FLAME SENSOR W/ GASKET	XPN601 - 801
19	GKT2450	GASKET, FLAME SENSOR	ALL
20	PLT3021	IGNITOR W/ GASKET	XPN400/501
20	PLT30000	IGNITOR W/ GASKET	XPN601 - 801
21	GKT2449	GASKET, IGNITOR	ALL
22	BNR3429	BURNER W/ GASKET	XPN400/501
22	BNR3432	BURNER W/ GASKET	XPN601
22	BNR3433	BURNER W/ GASKET	XPN701
22	BNR3434	BURNER W/ GASKET	XPN801
23	GKT2451	GASKET, BURNER	XPN400/501
23	GKT2062	GASKET, BURNER	XPN601 - 801
24	WTR3078	GAS/AIR ARM ASSEMBLY W/GASKET	XPN400
24	WTR3079	GAS/AIR ARM ASSEMBLY W/GASKET	XPN501
24	WTR3085	GAS/AIR ARM ASSEMBLY W/GASKET	XPN601 - 801
25	WTR3080	HEAT EXCHANGER ACCESS DOOR KIT	XPN400/501
25	WTR3086	HEAT EXCHANGER ACCESS DOOR KIT	XPN601 - 801
INDIRECT HEAT EXCHANGER			
26	HEX20016	HEAT EXCHANGER, INDIRECT	XPN400 - 601
26	HEX20017	HEAT EXCHANGER, INDIRECT	XPN701 - 801
PLEASE HAVE MODEL AND SERIAL NUMBER WHEN ORDERING PARTS			

ITEM NO.	PART NO.	DESCRIPTION	MODEL
MISCELLANEOUS			
27	MSC3180	SIGHT GLASS	ALL
28	GKT2453	GASKET, SIGHT GLASS	ALL
29	RLY2222	RELAY, 1.5 HP PUMP	ALL
30	FIB2167	DIVIDER PLATE, INSULATION BAFFLE	ALL
31	FIB2168	BURNER PLATE, INSULATION, DOOR	XPN400/501
31	FIB2146	BURNER PLATE, INSULATION, DOOR	XPN601 - 801
32	GKT2455	GASKET DOOR RUBBER	XPN400/501
32	GKT2063	GASKET DOOR RUBBER	XPN601 - 801
33	MSC2177	DISPLAY BEZEL	ALL
34	BLT2104	LEVELING LEGS	ALL
35	MSC20063	CONDENSATE TRAP	ALL
	SWT2011	BLOCKED DRAIN SWITCH	ALL
36	SWT2006	ON/OFF SWITCH	ALL
37	PRS20002	PRESSURE SWITCH	XPN400
37	PRS20020	PRESSURE SWITCH	XPN501
37	PRS20019	PRESSURE SWITCH	XPN601 - 801
38	TRF20000	TRANSFORMER, 40VA	XPN400-701
38	TRF20002	TRANSFORMER, 60VA	XPN801
39	MSC20123	KNOB, FLUTED W/ SKIRT	ALL
40	RLV2002	RELIEF VALVE 50 PSI	ALL
41	GTP2900	GAUGE TRIOMETER, 75# PSI	ALL
42	WTR2210	FLOW SWITCH	ALL
	FUS20001	0.8 AMP	ALL
	FUS2001	3.15 AMP	ALL
	FUS2002	5 AMP	ALL
	MSC2514	HIGH VOLTAGE CONNECTION BOARD	ALL
	TST30011	FLUE TEMP SENSOR KIT	ALL
	KIT3078	SYSTEM SENSOR KIT	ALL
	WTR20009	MRLWCO WITH TEST	ALL
	KIT3087	NEUTRALIZER KIT	XPN400/501
	KIT3046	NEUTRALIZER KIT	XPN601 - 801
	KIT3085	ALARM BELL	ALL
	LPK3949	LP CONVERSION KIT	XPN400
	LPK3950	LP CONVERSION KIT	XPN501-801
	TST2032	SYSTEM SENSOR	ALL
	TST2044	BULBWELL, 1/4"	ALL
	HLC30000	LIMIT, HEAT EXCHANGER OVER TEMP	ALL
	HLC2503	HIGH LIMIT	ALL
PUMP			
43	PUM30013	PUMP	XPN400-601
43	PUM3013	PUMP	XPN701/801
JACKET ASSEMBLY			
44	JKB30009	JACKET, TOP	XPN400
44	JKB30010	JACKET, TOP	XPN501
44	JKB30011	JACKET, TOP	XPN601
44	JKB30012	JACKET, TOP	XPN701
44	JKB40030	JACKET, TOP	XPN801
45	JKB40041	JACKET, FRONT	XPN400 - 501
45	JKB30006	JACKET, FRONT	XPN601 - 801
46	JKB40102	JACKET, LEFT SIDE	XPN400
46	JKB40084	JACKET, LEFT SIDE	XPN501
46	JKB40085	JACKET, LEFT SIDE	XPN601
46	JKB40086	JACKET, LEFT SIDE	XPN701
46	JKB40087	JACKET, LEFT SIDE	XPN801
47	JKB60250	JACKET, RIGHT SIDE	XPN400
47	JKB60258	JACKET, RIGHT SIDE	XPN501
47	JKB60263	JACKET, RIGHT SIDE	XPN601
47	JKB60265	JACKET, RIGHT SIDE	XPN701
47	JKB60267	JACKET, RIGHT SIDE	XPN801
PLEASE HAVE MODEL AND SERIAL NUMBER WHEN ORDERING PARTS			