



XLP Pool Heater Package

COMMERCIAL POOL HEATING APPLICATIONS

Outstanding Features

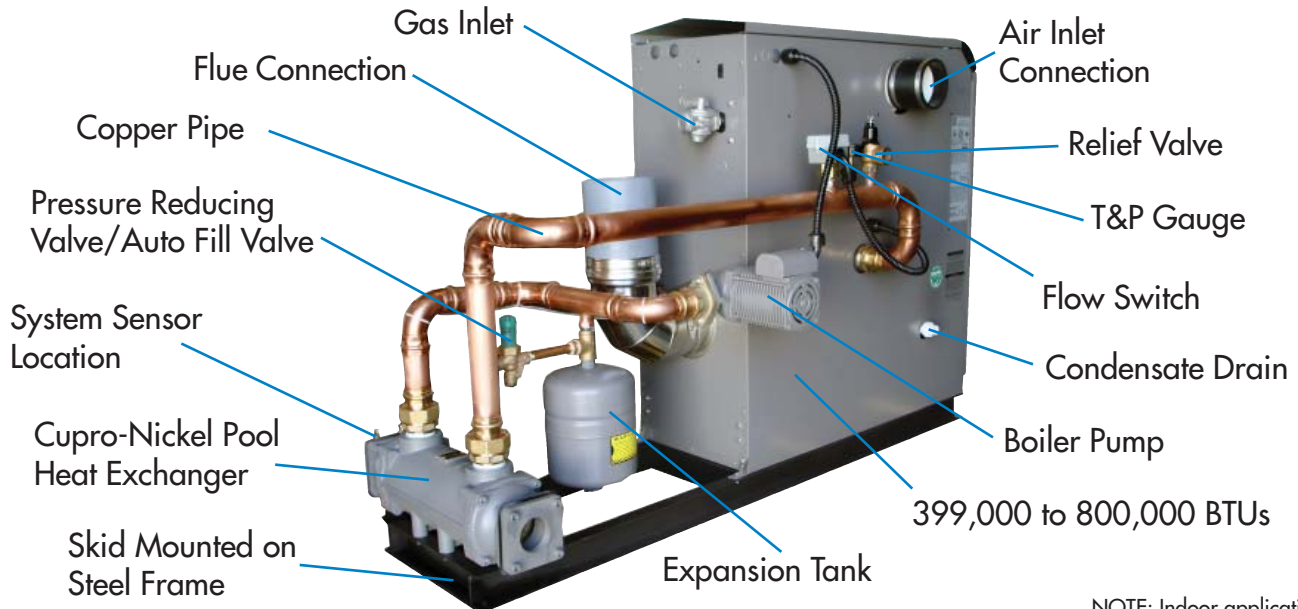
- › Up to 97% efficiency
- › Reduced pool heating costs (as much as 20-25% in actual application)
- › Small footprint
- › Smart System operating control
- › Condensing Boiler design with ASME construction
- › Modulating burner matches input to demand
- › Completely factory assembled and tested
- › Easy to install
- › Direct vent/sealed combustion isolates heater from contaminated air within pool equipment room
- › Lower installed costs with PVC/CPVC vent materials
- › External Cupro-Nickel pool heat exchanger -
 - Salt water approved
 - Shell and tube design
 - Pool water isolated from combustion chamber
 - Reduced maintenance requirements



Current Pool Heater Input	Hourly Cost at 78% Efficiency	Hourly Cost at 97% Efficiency	Annual Savings Based on Operating Hours per Day			
			4	8	12	18
1,000,000	\$14	\$11	\$3,861	\$7,721	\$11,582	\$17,373
2,000,000	\$27	\$22	\$7,721	\$15,443	\$23,164	\$34,746
4,000,000	\$54	\$43	\$15,443	\$30,886	\$46,329	\$69,493

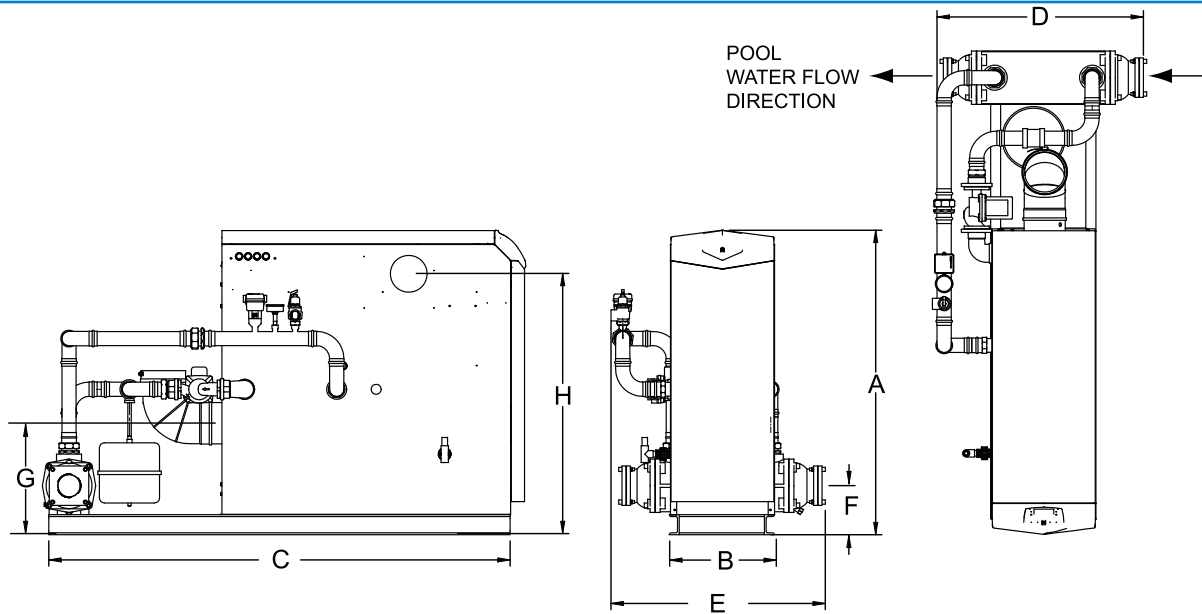
Costs are based on a gas price of \$1.35 per therm.

Standard Features



NOTE: Indoor applications only.

XLP POOL HEATER PACKAGE DIMENSIONS



Model Number	Btu Output*	A	B	C	D	E	F	G	H	Water Conn.	Gas Conn.	Vent Size	Air Inlet	Pool Flow	Pressure Drop	Ship. Wt.
XPN399	372,038	45-1/2"	15-3/4"	53"	23-1/4"	23-1/2"	6-1/2"	16-3/4"	37"	2-1/2"	1"	4"	4"	93	0.73	465
XPN500	467,297	45-1/2"	15-3/4"	55"	23-1/4"	23-1/2"	6-1/2"	16-3/4"	38"	2-1/2"	1"	4"	4"	117	1.15	497
XPN600	567,364	45-1/2"	15-3/4"	63"	23-1/4"	23-1/2"	6-1/2"	16-3/4"	39"	2-1/2"	1-1/2"	4"	4"	142	1.72	534
XPN700	660,423	45-1/2"	15-3/4"	68"	30"	32-1/4"	7-1/4"	16-3/4"	39"	3"	1-1/2"	6"	4"	166	0.55	634
XPN800	773,268	45-1/2"	15-3/4"	69"	30"	32-1/4"	7-1/4"	16-3/4"	39"	3"	1-1/2"	6"	4"	194	0.80	671

Notes: Change 'N' to 'L' for L.P. Gas Model. No deration on L.P. models. Performance data based on manufacturer test results. 120 VAC / 15 AMP circuit required. All dimensions shown in inches.

* BTU output based on 80 degree pool water and a delta t of 8 degrees across the pool heat exchanger

STANDARD FEATURES

- › Up to 97% Thermal Efficiency*
- › Modulating Burner with 5:1 Turndown
 - › Direct-Spark Ignition
 - › Low NOx Operation
 - › Sealed Combustion
 - › Low Gas Pressure Operation
- › Vertical & Horizontal Direct-Vent
 - › Category IV venting up to 100 feet
 - › PVC, CPVC or AL29-4C Venting up to 100 Feet
 - › Factory Supplied Sidewall Vent Termination
- › Integral Boiler Heat Exchanger
 - › ASME Certified, "H" Stamped
 - › 316L Stainless Steel
 - › Gasketless Heat Exchanger
 - › 160 psi Working Pressure
 - › Highly efficient, condensing design
- › On/Off Switch
- › Adjustable High Limit w/ Manual Reset
- › Flow Switch
- › Pool Temperature Sensor
- › Inlet & Outlet Temperature Sensors
- › Flue Temperature Sensor
- › Low Air Pressure Switch
- › 50 psi ASME Relief Valve
- › Temperature & Pressure Gauge
- › Cast Iron Pump
- › Expansion Tank
- › Pressure Reducing Valve/Auto Fill Valve
- › Condensate Trap
- › Zero Clearances to Combustible Material
- › 10 Year Limited Warranty (See Warranty for Details)

- › External Cupro-Nickel Pool Heat Exchanger
 - › Salt Water Ready
 - › Flanged Connections for Pool Water
- › SMART SYSTEM Digital Operating Control
 - › 2 line, 16 Character Display
 - › Dual Level Password Security
 - › Built in Cascading Sequencer for up to 8 Heaters
 - › Building Management System Integration with 0-10 VDC Input
 - › Low Water Flow Safety Control & Indication
 - › Pool Temperature Readout
 - › Inlet & Outlet Temperature Readout
 - › Freeze Protection
 - › Service Reminder
 - › Time Clock
- › Data Logging
 - › Hours Running
 - › Ignition Attempts
 - › Last 10 Lockouts
- › Low Voltage Terminal Strip
 - › 24 VAC Auxiliary Device Relay
 - › Auxiliary Proving Switch Contacts
 - › Flow Switch Contacts
 - › Alarm on Any Failure Contacts
 - › Runtime Contacts
 - › System Sensor Contacts
 - › Cascade Contacts
 - › 0-10 VDC BMS External Control Contact

OPTIONAL EQUIPMENT

- › Alarm Bell on Any Failure
- › Condensate Neutralization Kit
- › High & Low Gas Pressure Switches w/ Manual Reset (500-800)
- › Low Water Cutoff w/Manual Reset & Test
- › Stainless Steel Vent Kits (700-800)
- › Stack Frame
- › DHW Priority Piping
- › Room Air Filter Kit

FIRING CODES

- › M9 Standard Construction
- › M7 California Code
- › M13 CSD1 / FM / GE Gap (500-800)

Patent # 7,506,617

NOTE: Indoor applications only.

* Thermal efficiency based on 110°F inlet water temperature to the boiler and 75°F pool water temperature.



Applies to Boiler only



Applies to Boiler only



Applies to Boiler only



Lochinvar Corporation • 300 Maddox Simpson Pkwy • Lebanon, TN 37090 • 615-889-8900 / Fax: 615-547-1000

www.Lochinvar.com