



Lochinvar[®]
High Efficiency Water Heaters, Boilers and Pool Heaters

XLP
Commercial Pool Heater
Submittal Sheet

XPN-Sub-02

XLP COMMERCIAL POOL HEATER

JOB NAME _____
LOCATION _____
ARCH./ENGR. _____
WHOLESALE _____
MECH. CONTRACTOR _____
MODEL NO. _____
TYPE GAS _____
Btu/hr INPUT _____
RECOVERY RATE IN GPH _____ @ _____ **°F RISE**
NOTES

STANDARD FEATURES

- › **Up to 97% Thermal Efficiency***
- › **Modulating Burner with 5:1 Turndown**
 - › Direct-Spark Ignition
 - › Low NOx Operation
 - › Sealed Combustion
 - › Low Gas Pressure Operation
- › **Vertical & Horizontal Direct-Vent**
 - › Category IV venting up to 100 feet
 - › PVC, CPVC or AL29-4C Venting up to 100 Feet
 - › Factory Supplied Sidewall Vent Termination
- › **Integral Boiler Heat Exchanger**
 - › ASME Certified, "H" Stamped
 - › 316L Stainless Steel Gasketless Heat Exchanger
 - › 160 psi Working Pressure
 - › Highly efficient, condensing design
- › On/Off Switch
- › Adjustable Auto Reset High Limit
- › Adjustable Manual Reset High Limit
- › Flow Switch
- › Pool Temperature Sensor
- › 110°F Pool Safety Limit
- › Inlet & Outlet Temperature Sensors
- › Flue Temperature Sensor
- › Low Air Pressure Switch
- › 30 psi ASME Relief Valve
- › Temperature & Pressure Gauge
- › Cast Iron Pump
- › Expansion Tank
- › Pressure Reducing Valve/Auto Fill Valve
- › Condensate Trap
- › Zero Clearances to Combustible Material
- › 10 Year Limited Warranty (See Warranty for Details)

- › **External Cupro-Nickel Pool Heat Exchanger**
 - › Salt Water Ready
 - › Flanged CPVC Connections for Pool Water
- › **SMART SYSTEM Digital Operating Control**
 - › Multi-Colored Graphic LCD Display w/ Navigation Dial
- › **Built in Cascading Sequencer for up to 8 Pool Heaters**
 - › Lead Lag
 - › Efficiency Optimization
- › **Outdoor Reset Control with Outdoor Air Sensor**
- › **Programmable System Efficiency Optimizers**
 - › Night Setback
 - › DHW Night Setback
 - › Anti-Cycling
 - › Outdoor Air Reset Curve
 - › Ramp Delay
 - › Boost Temperature & Time
- › **Two Pump Control**
 - › Boiler Pump
 - › Domestic Hot Water Pump
- › **Domestic Hot Water Prioritization**
 - › DHW Modulation Limiting
 - › Separately Adjustable SH/DHW Switching Times*
- › **Building Management System Integration**
 - › 0-10VDC Input to Control Modulation or Set Point
 - › 0-10VDC Modulation Rate Output
 - › 0-10VDC Input to Enable/Disable call for heat
 - › Access to BMS Settings through Display

OPTIONAL EQUIPMENT

- Alarm Bell
- Condensate Neutralization Kit
- High & Low Gas Pressure Switches w/ Manual Reset (501-801)
- Low Water Cutoff w/Manual Reset & Test
- Stainless Steel Vent Kits (701-801)
- Stack Frame
- DHW Priority Piping (*includes tee's used to connect an indirect water heater*)
- Room Air Filter Kit
- MODBUS Communication

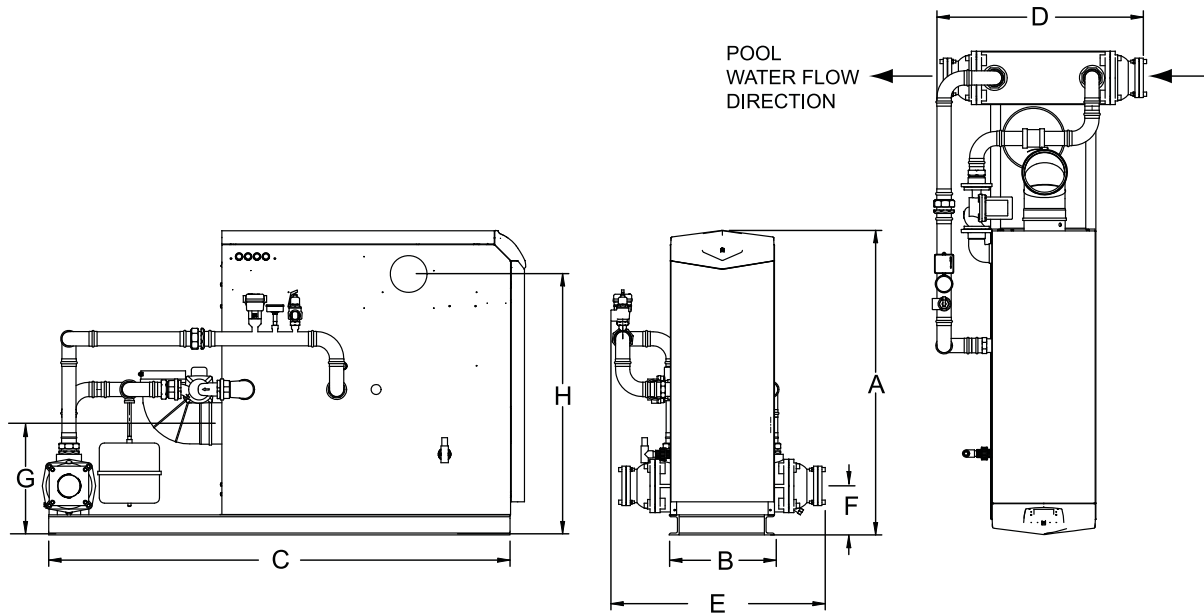
FIRING CODES

- M9 Standard Construction
- M7 California Code
- M13 CSD1 / FM / GE Gap (501-801)

NOTE: Indoor applications only.

* Thermal efficiency based on 110°F inlet water temperature to the boiler and 75°F pool water temperature.

XLP Commercial Pool Heater Dimensions & Specifications



Model Number	Btu Output*	A	B	C	D	E	F	G	H	Water Conn.	Gas Conn.	Vent Size	Air Inlet	Pool Flow	Pressure Drop	Ship. Wt.
XPN400	372,038	45-1/2"	15-3/4"	53"	23-1/4"	23-1/2"	6-1/2"	16-3/4"	37"	2-1/2"	1"	4"	4"	93	0.73	465
XPN501	467,297	45-1/2"	15-3/4"	55"	23-1/4"	23-1/2"	6-1/2"	16-3/4"	38"	2-1/2"	1"	4"	4"	117	1.15	497
XPN601	567,364	45-1/2"	15-3/4"	63"	23-1/4"	23-1/2"	6-1/2"	16-3/4"	39"	2-1/2"	1-1/2"	4"	4"	142	1.72	534
XPN701	660,423	45-1/2"	15-3/4"	68"	30"	32-1/4"	7-1/4"	16-3/4"	39"	3"	1-1/2"	6"	4"	166	0.55	634
XPN801	773,268	45-1/2"	15-3/4"	69"	30"	32-1/4"	7-1/4"	16-3/4"	39"	3"	1-1/2"	6"	4"	202	0.80	671

Notes: Change 'N' to 'L' for L.P. Gas Model. No deration on L.P. models. Performance data based on manufacturer test results. 120 VAC /15 AMP circuit required. All dimensions shown in inches. CPVC Pool Heater Water Connections. * BTU output based on 80 degree pool water and a delta t of 8 degrees across the pool heat exchanger



Lochinvar[®]
High Efficiency Water Heaters, Boilers and Pool Heaters



Applies to Boiler only

Lochinvar Corporation • 300 Maddox Simpson Pkwy • Lebanon, TN 37090 • 615-889-8900 / Fax: 615-547-1000
www.Lochinvar.com