



Lochinvar[®]
Nashville, Tennessee 37210

(615) 889-8900 ▼ FAX: (615) 885-4403

PARTS DEPOT

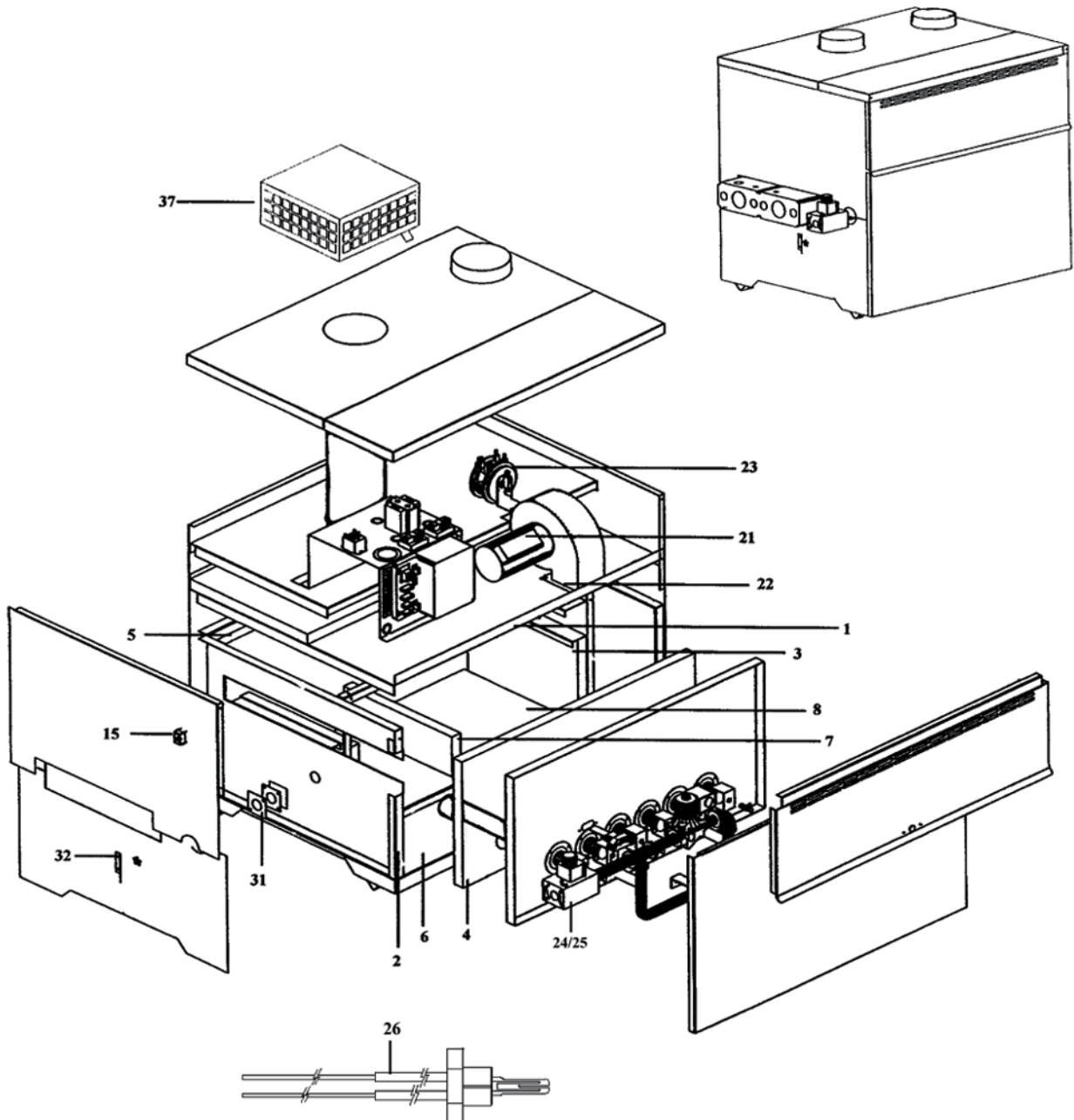
Detroit, Michigan 48170
(734) 454-4480 ▼ FAX: (734) 454-1790

Replacement Parts List

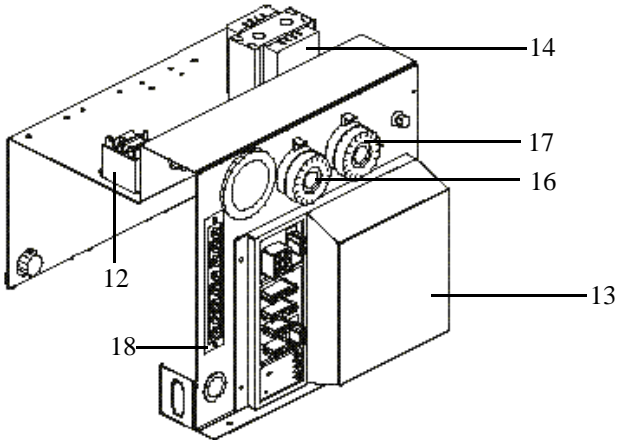
EB 100 — 300 M-9

EW 100 — 300 F-9

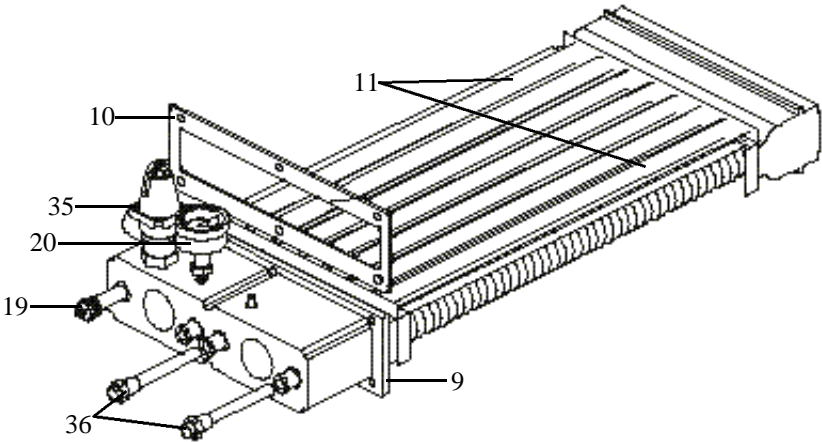
Boilers & Water Heaters



CONTROL PANEL ASSEMBLY



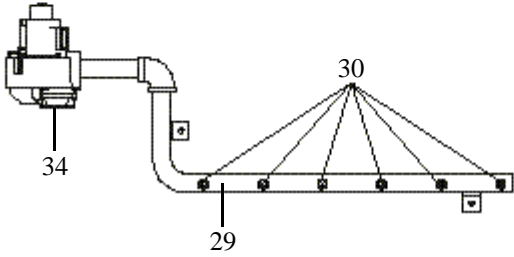
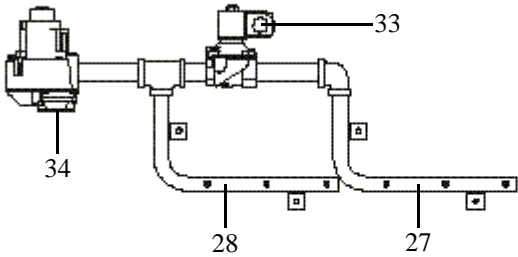
HEAT EXCHANGER ASSEMBLY



GAS TRAIN ASSEMBLY

EB: Two Stage – M9 Controls

EW: Single Stage – F9 Controls



ITEM NO.	PART NO.	DESCRIPTION	MODEL NUMBER
Lock-Heat® Tile			
1	FIB2800	LOCH-HEAT® TILE, TOP	150
1	FIB2801	LOCH-HEAT® TILE, TOP	200
1	FIB2802	LOCH-HEAT® TILE, TOP	250
1	FIB2803	LOCH-HEAT® TILE, TOP	300
1	FIB2814	LOCH-HEAT® TILE, TOP	100
2	FIB2809	LOCH-HEAT® TILE, FRONT HEAD SIDE	100
2	FIB2420	LOCH-HEAT® TILE, FRONT HEAD SIDE	150-300
3	FIB2421	LOCH-HEAT® TILE, REAR HEAD SIDE	ALL
4	FIB2812	LOCH-HEAT® TILE, FRONT	100
4	FIB2496	LOCH-HEAT® TILE, FRONT	150
4	FIB2497	LOCH-HEAT® TILE, FRONT	200
4	FIB2498	LOCH-HEAT® TILE, FRONT	250
4	FIB2499	LOCH-HEAT® TILE, FRONT	300
5	FIB2811	LOCH-HEAT® TILE, BACK	100
5	FIB2484	LOCH-HEAT® TILE, BACK	150
5	FIB2485	LOCH-HEAT® TILE, BACK	200
5	FIB2486	LOCH-HEAT® TILE, BACK	250
5	FIB2487	LOCH-HEAT® TILE, BACK	300
6	FIB2804	LOCH-HEAT® TILE, BOTTOM LEFT	100
6	FIB2488	LOCH-HEAT® TILE, BOTTOM LEFT	150
6	FIB2489	LOCH-HEAT® TILE, BOTTOM LEFT	200
6	FIB2490	LOCH-HEAT® TILE, BOTTOM LEFT	250
6	FIB2491	LOCH-HEAT® TILE, BOTTOM LEFT	300
7	FIB2806	LOCH-HEAT® TILE DIVIDER	ALL
8	FIB2815	LOCH-HEAT® TILE, BOTTOM RIGHT	100
8	FIB2804	LOCH-HEAT® TILE, BOTTOM RIGHT	150
8	FIB2489	LOCH-HEAT® TILE, BOTTOM RIGHT	200
8	FIB2805	LOCH-HEAT® TILE, BOTTOM RIGHT	250
8	FIB2491	LOCH-HEAT® TILE, BOTTOM RIGHT	300
Heater Exchangers			
9	HEX3484	HEAT EXCHANGER, COPPER TUBE	100
9	HEX3485	HEAT EXCHANGER, CUPRONICKEL TUBE	100
9	HEX3445	HEAT EXCHANGER	150
9	HEX3446	HEAT EXCHANGER	200
9	HEX3447	HEAT EXCHANGER	250
9	HEX3448	HEAT EXCHANGER	300
10	GKT2011	GASKET, FRONT HEADER	100
10	GKT2400	GASKET, FRONT HEADER	150-300
11	JKA2009	V-BAFFLE	100
11	JKA2000	V-BAFFLE	150
11	JKA2001	V-BAFFLE	200
11	JKA2002	V-BAFFLE	250
11	JKA2003	V-BAFFLE	300
Pumps			
--	ARM3082PBF	PUMP WATER HEATER	EW 100
--	ARM3044PBF	PUMP WATER HEATER	EW 150-300
Controls			
12	RLY2706	RELAY	EB
13	RLY2400	IGNITION MODULE	ALL
14	TRF2004	TRANSFORMER 50V.A.	ALL
15	MSC2426	SWITCH, ROCKER ON-OFF	ALL
16	TST2901	OPERATOR LOW FIRE To serial # F993230	EB
16	TST3920	OPERATOR To serial # F993230	EW
16	TST2701	OPERATOR Starting serial # F993231	EB/EW
17	TST2901	OPERATOR HIGH FIRE To serial # F993230	EB
17	TST2902	LIMIT To serial # F993230	EW
17	TST2701	LIMIT Starting serial # F993231	EB/EW
18	MSC2016	TERMINAL BOARD	ALL
19	HLC2302	HI LIMIT	EB 100
19	HLC2303	HI LIMIT	EW 100
19	HLC2500	HI LIMIT	EB 150-300
19	HLC2501	HI LIMIT	EW 150-300

NOTE: EB = BOILER / EW = WATER HEATER

Please have model number and serial number when ordering parts.

ITEM NO.	PART NO.	DESCRIPTION	MODEL NUMBER
----------	----------	-------------	--------------

Controls Cont.

20	GTP2900	T & P GAUGE	ALL
21	FAN4407	ASSEMBLY, FAN	100
21	FAN2410	ASSEMBLY, FAN	150-300
22	GKT2009	GASKET, FAN	100
22	GKT2416	GASKET, FAN	150-300
23	PRS2424	SWITCH, AIR PRESSURE	100
23	PRS2420	SWITCH, AIR PRESSURE	150-200
23	PRS2421	SWITCH, AIR PRESSURE	250-300

Pilot & Burner Assemblies

24	BNR2405	MAIN BURNER	ALL
25	BNR3415	MAIN BURNER, MACHINED	ALL
--	GKT2429	GASKET, BURNER	ALL
26	PLT3400	HOT SURFACE IGNITOR	ALL
27	MAN2441	GAS MANIFOLD, RIGHT	EB 100
27	MAN2439	GAS MANIFOLD, RIGHT	EB 300
28	MAN2453	GAS MANIFOLD, LEFT	EB 100
28	MAN2440	GAS MANIFOLD,	EW 100
28	MAN2439	GAS MANIFOLD, LEFT	EB 250-300
28	MAN2440	GAS MANIFOLD, LEFT	EB 150-200
27	MAN2441	GAS MANIFOLD, RIGHT	EB 150
27	MAN2440	GAS MANIFOLD, RIGHT	EB 200-250
29	MAN2439	GAS MANIFOLD	EW 150
29	MAN2442	GAS MANIFOLD	EW 200
29	MAN2443	GAS MANIFOLD	EW 250
29	MAN2444	GAS MANIFOLD	EW300
30	ORF2406	ORIFICE, MAIN BNR. NAT.	ALL
30	ORF2407	ORIFICE, MAIN BNR. LPG.	ALL
31	MSC3415	KIT, SIGHT GLASS	ALL
32	JKA6506	MIRROR, INSPECTION	ALL

Gas Valves

33	VAL2419	GAS VALVE, HIGH FIRE	EB 100
33	VAL2409	GAS VALVE, HIGH FIRE	EB 150-300
34	VAL2417	GAS VALVE, NAT. MAIN	EB/EW 100
34	VAL2410	GAS VALVE, NAT. MAIN	EB/EW 150-300
34	VAL2418	GAS VALVE, LPG. MAIN	EB/EW 100
34	VAL2411	GAS VALVE, LPG. MAIN	EB/EW 150-300

Miscellaneous

35	RLV2005	RELIEF VALVE, PRESSURE ONLY	EB
35	RLV2006	RELIEF VALVE, T & P	EW
36	TST2301	BULB WELL	ALL
37	JKA6510	COVER, DUST AIR INTAKE	ALL
--	DRH2929	BELL INCREASER (NOT PICTURED)	100
--	DRH2722	BELL INCREASER (NOT PICTURED)	150 & 200
--	DRH2729	BELL INCREASER (NOT PICTURED)	250 & 300
--	MSC3001	KIT, TUBING EPDM	100 - 200
--	MSC3002	KIT, TUBING EPDM	250 - 300
--	MSC2125	TUBE, INLET AIR	100
--	MSC2075	TUBE, INLET AIR	150-200
--	MSC2076	TUBE, INLET AIR	250-300
--	MSC2126	CLAMP, INLET AIR	100
--	MSC2077	CLAMP, INLET AIR	150-300
--	GKT3703	KIT, GASKET	100
--	MNL7034	SUPPLEMENT TO SERVICE MANUAL	100



The Built-In Advantage™

Lochinvar Corporation • Nashville, TN 37210 • 615-889-8900/Fax 615-885-4403
www.Lochinvar.com

PLEASE: Have model number and serial number when ordering parts.