



Lochinvar[®]

Nashville, Tennessee 37210
 (615) 889-8900 ▼ FAX: (615) 885-4403

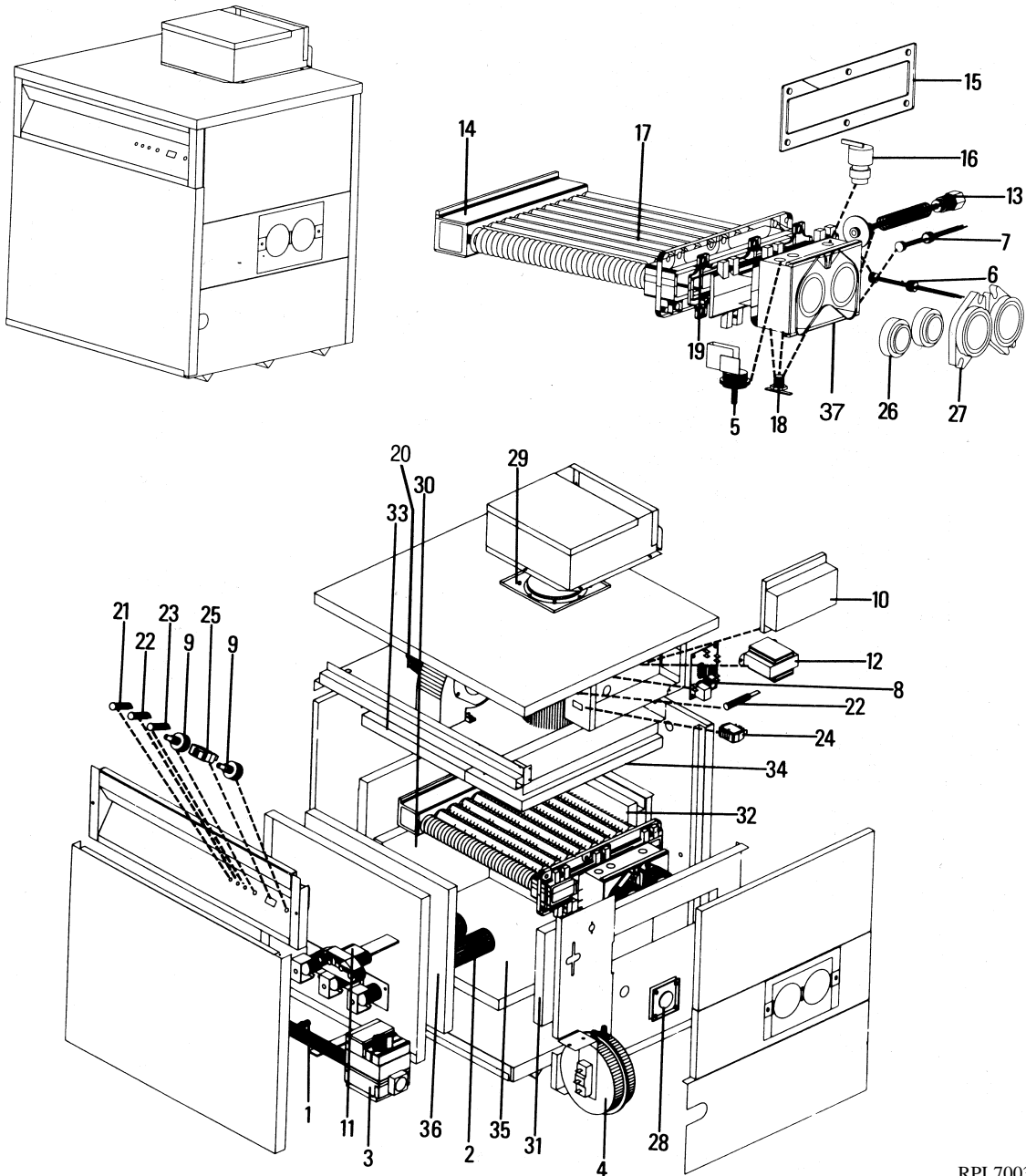
PARTS DEPOT

Detroit, Michigan 48170
 (734) 454-4480 ▼ FAX: (734) 454-1790

Replacement Parts List

EnergyRite[®]

**Residential Pool Heaters
 ERN(L) 150-400**



ITEM NO.	PART NO.	DESCRIPTION	MODEL NO.
Gas Train Assembly			
1	ORF2401*	ORIFICE, NAT (Green)	ALL
1	ORF2403*	ORIFICE, LPG (Red)	ALL
2	BNR2400	BURNER, NAT	ALL
2	BNR3400	BURNER, NAT WITH PRESSURE TAP	ALL
2	BNR2401	BURNER, LPG	ALL
2	BNR3401	BURNER, LPG WITH PRESSURE TAP	ALL
3	VAL2400	VALVE, GAS NAT	ALL
3	VAL2401	VALVE, GAS LPG	ALL
Controls & Gauges			
4	PRS2405*	SWITCH, AIR PRESSURE	ALL
5	PRS2406	SWITCH, WATER PRESSURE	ALL
6	TST2402	HI LIMIT SWITCH, SECONDARY 180°	150 - 300
6	TST2408	HI LIMIT SWITCH, SECONDARY 195°	400
7	TST2406	LIMIT SWITCH, PRIMARY 135°	ALL
--	TST2301	THERMOSTAT BULB WELL (NOT PICTURED)	ALL
8	TST2403	THERMOSTAT CIRCUIT BOARD	ALL
9	WRE2402	THERMOSTAT W/WIRING	ALL
--	TST2405	SENSOR, THERMOSTAT (NOT PICTURED)	ALL
--	TST3400	THERMOSTAT COMPLETE	ALL
10	RLY2421	IGNITION MODULE	ALL
11	PLT3400	HOT SURFACE IGNITOR	ALL
12	TRF2400	TRANSFORMER 120VAC/40V.A.	ALL
13	MSC3400	BY PASS REGULATOR	150
13	MSC3401	BY PASS REGULATOR	200 & 250
13	MSC3402	BY PASS REGULATOR	300 & 400
Heat Exchangers			
14	HEX3425	HEAT EXCHANGER	150
14	HEX3426	HEAT EXCHANGER	200
14	HEX3427	HEAT EXCHANGER	250
14	HEX3428	HEAT EXCHANGER	300
14	HEX3429	HEAT EXCHANGER	400
Miscellaneous			
15	GKT2400	GASKET, HEAT SHIELD	ALL
16	RLV2005	RELIEF VALVE, 30psi (OPTIONAL)	ALL
17	JKD2260	V-BAFFLE	150
17	JKD2261	V-BAFFLE	200
17	JKD2262	V-BAFFLE	250
17	JKD2263	V-BAFFLE	300

ITEM NO.	PART NO.	DESCRIPTION	MODEL NO.
Miscellaneous			
17	JKD2264	V-BAFFLE	400
18	DRV2400	DRAIN VALVE	ALL
19	GKT2412	GASKET, HEADER	ALL
20	FAN2410	FAN ASSEMBLY	ALL
21	MSC2422	LIGHT, RED 24 VAC	ALL
22	MSC2424	LIGHT, AMBER 24 VAC	ALL
23	MSC2423	LIGHT, GREEN 24 VAC	AL
24	MSC2426	SWITCH, ROCKER MAIN POWER	ALL
25	MSC2438	SWITCH, ROCKER SELECTOR	ALL
26	GKT2413	GASKET, FLANGE 2 "	ALL
26	GKT2414	GASKET, FLANGE 1 1/2"	ALL
27	WTR3502	FLANGE, WATER CONNECTION 2"	ALL
28	MSC3415	SIGHT GLASS ASSEMBLY	ALL
29	GKT2409	GASKET, OUTDOOR VENT	150 - 300
29	GKT2410	GASKET, OUTDOOR VENT	400
37	WTR3501	HEADER, BRONZE	ALL
Loch-Heat® Tile			
30	FIB2428	LOCH-HEAT® TILE, REAR HEAD SIDE	ALL
31	FIB2420	LOCH-HEAT® TILE, FRONT HEAD SIDE	ALL
32	FIB2424	LOCH-HEAT® TILE, REAR	150
32	FIB2423	LOCH-HEAT® TILE, REAR	200
32	FIB2422	LOCH-HEAT® TILE, REAR	250
32	FIB2400	LOCH-HEAT® TILE, REAR	300
32	FIB2401	LOCH-HEAT® TILE, REAR	400
33	FIB2438	LOCH-HEAT® TILE, TOP LEFT	150
33	FIB2436	LOCH-HEAT® TILE, TOP LEFT	200
33	FIB2434	LOCH-HEAT® TILE, TOP LEFT	250
33	FIB2432	LOCH-HEAT® TILE, TOP LEFT	300
33	FIB2474	LOCH-HEAT® TILE, TOP LEFT	400
34	FIB2439	LOCH-HEAT® TILE, TOP RIGHT	150
34	FIB2437	LOCH-HEAT® TILE, TOP RIGHT	200
34	FIB2435	LOCH-HEAT® TILE, TOP RIGHT	250
34	FIB2433	LOCH-HEAT® TILE, TOP RIGHT	300
34	FIB2475	LOCH-HEAT® TILE, TOP RIGHT	400
35	FIB2427	LOCH-HEAT® TILE, BOTTOM	150
35	FIB2426	LOCH-HEAT® TILE, BOTTOM	200
35	FIB2425	LOCH-HEAT® TILE, BOTTOM	250
35	FIB2415	LOCH-HEAT® TILE, BOTTOM	300

ITEM NO.	PART NO.	DESCRIPTION	MODEL NO.
Loch-Heat® Tile			
3 5	FIB2416	LOCH-HEAT® TILE, BOTTOM	4 0 0
3 6	FIB2431	LOCH-HEAT® TILE, FRONT DOOR	1 5 0
3 6	FIB2430	LOCH-HEAT® TILE, FRONT DOOR	2 0 0
3 6	FIB2429	LOCH-HEAT® TILE, FRONT DOOR	2 5 0
3 6	FIB2405	LOCH-HEAT® TILE, FRONT DOOR	3 0 0
3 6	FIB2406	LOCH-HEAT® TILE, FRONT DOOR	4 0 0
--	CFK3300	COMBUSTIBLE FLOOR KIT OPTIONAL	150 & 200
--	CFK3301	COMBUSTIBLE FLOOR KIT OPTIONAL	250 & 300
--	CFK3302	COMBUSTIBLE FLOOR KIT OPTIONAL	4 0 0

**PLEASE SPECIFY MODELNUMBER AND SERIAL NUMBER WHEN ORDERING PARTS.
*OVER 2,000 FEET ALTITUDE CONSULT FACTORY**



High Efficiency Water Heaters And Boilers

The Built-In AdvantageSM

Lochinvar Corporation • Nashville, TN 37210 • 615/889-8900/Fax 615/885-4403