



# Pump Specifications

## COPPER-FIN II®

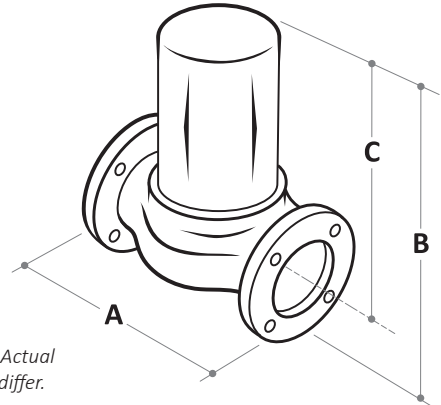


Illustration is to clarify dimension locations only. Actual appearance of pump will differ.

### Appliance Pump Data

MODEL NO.	PART NUMBER	HP	FLANGE SIZE	PUMP MAT'L	VENDOR / PRODUCT SERIES	A" WIDTH	B" DEPTH	C" C/L FLANGE TO BACK
CH 0402-0752	100133612	1/4	2"	Cast Iron	Armstrong/LS45	10	15.75	12.5
CF 0402-0752	100133610	1/4	2"	All Bronze	Armstrong/LS45	10	15.75	12.5
CH 0992-2072	100133603	1/2	2-1/2"	Cast Iron	Armstrong/2B1050	11.5	19.5	16
CF 0992-2072	100133601	1/2	2-1/2"	All Bronze	Armstrong/2B1050	11.5	19.5	16

**NOTICE:** Pump sizing and flow requirements are based on max. of 45 ft. of straight piping, (6) 90° elbows, (2) unions, (2) ball valves, and (1) cold water inlet tee.

### System Temperature Rise Charts: WATER HEATER - CF Models

MODEL	TEMPERATURE RISE	WATER FLOW RATE
402/502	12°/15° F	55 GPM
652	20° F	55 GPM
752	23° F	55 GPM
992	19° F	90 GPM

MOODEL	TEMPERATURE RISE	WATER FLOW RATE
1262	24° F	90 GPM
1442	27° F	90 GPM
1802	34° F	90 GPM
2072	39° F	90 GPM

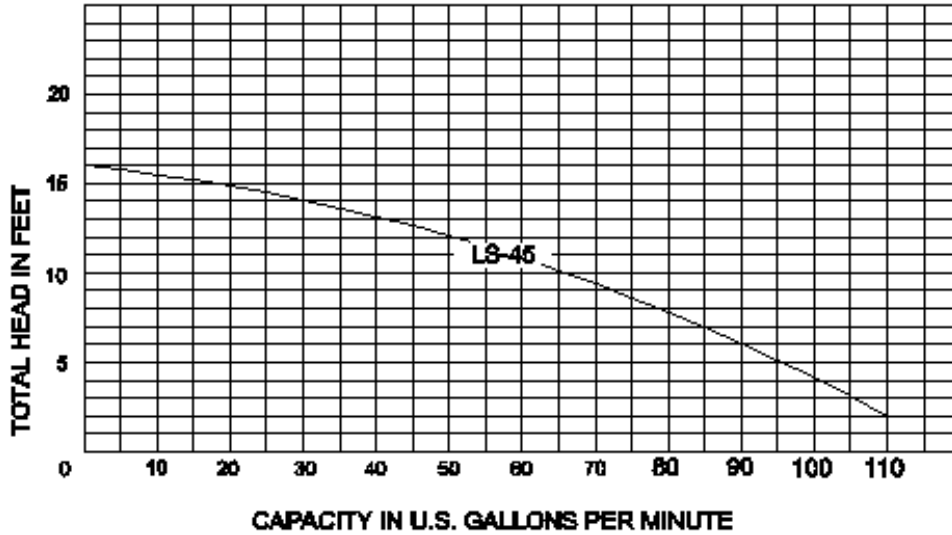
### System Temperature Rise Chart: BOILER - CH Models (Based on Input in btu/hr)

BTU/HR		30°F ΔT		35°F ΔT		40°F ΔT		45°F ΔT		50°F ΔT		55°F ΔT		60°F ΔT	
INPUT	OUTPUT	GPM	Ft/HD	GPM	Ft/HD	GPM	Ft/HD	GPM	Ft/HD	GPM	Ft/HD	GPM	Ft/HD	GPM	Ft/HD
399,999	339,999	23	1.1	19	0.7	--	--	--	--	--	--	--	--	--	--
500,000	425,000	28	1.6	24	1.2	21	0.7	19	0.7	--	--	--	--	--	--
650,000	552,500	37	3.0	31	2.2	28	1.6	24	1.2	22	0.9	20	0.7	18	0.6
750,000	637,500	42	4.1	36	2.8	32	2.3	28	1.6	25	1.3	23	1.1	21	0.7
990,000	841,500	55	2.6	48	2.3	42	1.5	37	1.4	33	1.0	30	0.9	28	0.9
1,260,000	1,071,000	71	4.4	61	3.6	53	2.7	48	2.3	42	1.7	39	1.5	35	1.2
1,440,000	1,224,000	81	6.3	70	5.0	61	3.8	54	2.7	48	2.3	44	2.0	40	1.8
1,800,000	1,530,000	102*	11.8	87	9.0	76	6.6	68	5.6	61	4.4	55	2.6	50	3.0
2,070,000	1,759,500	--	--	100*	10.1	87	9.0	78	7.6	70	6.2	64	5.4	58	4.6

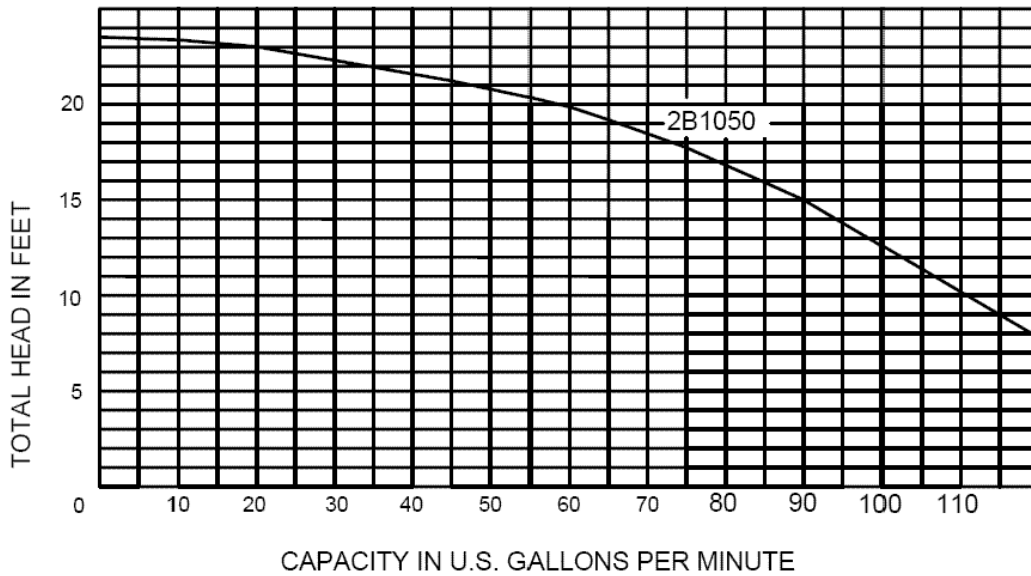
\* These foot head calculations exceed the maximum allowable flow rate of the boiler. Requires Cupro-Nickel heat exchanger.

**PUMP CURVE INFORMATION IS BASED ON A SINGLE WATER HEATER PIPED TO A SINGLE STORAGE TANK INSTALLATION.**

STANDARD PUMP FOR MODEL NUMBER(S)	PUMP PART NUMBER	PUMP MAT'L	VOLTS	AMP DRAW	MAXIMUM FLOW RATE	BASED ON MIN PIPE DIAMETER:
CH 0402 - CH 0752	100133612	Cast Iron	115	5.8 A	55 GPM	2"
CF 0402 - CF 0752	100133610	All Bronze	115	5.8 A	55 GPM	2"



STANDARD PUMP FOR MODEL NUMBER(S)	PUMP PART NUMBER	PUMP MAT'L	VOLTS	AMP DRAW	MAXIMUM FLOW RATE	BASED ON MIN PIPE DIAMETER:
CH 0992 - CH 2072	100133603	Cast Iron	115/230V	7.4 A	90 GPM	2"
CF 0992 - CF 2072	100133601	All Bronze	115/230V	7.4 A	90 GPM	2"



**Read the Installation and Operation Manual.**

Please contact the factory if the planned system exceeds the pump capacity in flow and/or head loss and for details about upsized pumps with Cupro-Nickel Heat Exchanger option in domestic water systems.