



Lochinvar[®]
HIGH EFFICIENCY BOILERS & WATER HEATERS

NOBLE[®]
RESIDENTIAL BOILER

Submittal Sheet

NKB-Sub-02

NOBLE[®] RESIDENTIAL CONDENSING BOILER MODELS NKB080-199

Job Name: _____ Model No. _____
 Location: _____ Type Gas: _____
 Engineer: _____ Equipment Tag(s): _____
 Agent/Wholesaler: _____
 Contractor: _____

NOTES:

Smart Control™ Features

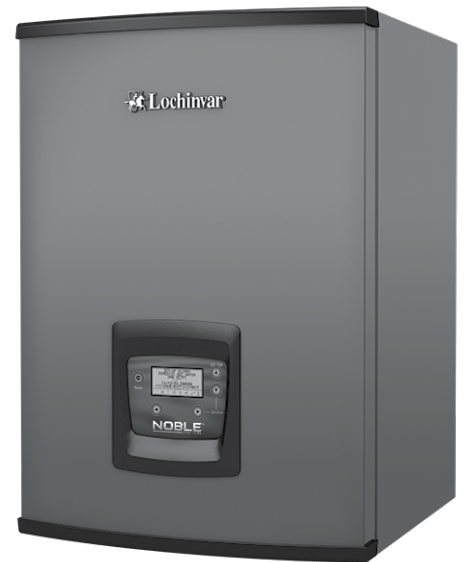
- » **SMART CONTROL Digital Operating Control**
LCD Display with words, not codes
- » **Outdoor Reset Control with Outdoor Air Sensor**
- » **Programmable System Efficiency Optimizers**
- » **Three Pump Control**
System Pump
Boiler Pump
DHW Pump
- » **High-Voltage Junction Box**
120 VAC / 60 Hertz / 1 Phase Power Supply
- » **Low Voltage Terminal Strip**
Flow Switch Contacts
Low-Water Cutoff Connection
System Sensor Contacts
Outdoor Air Sensor Contacts
Cascade Contacts
- » **Time Clock for Data Logging**
Last 10 Lockouts
- » **Low-Water Flow Safety Control & Indication**
- » **Password Security**
- » **Built-in Cascading Sequencer for up to 8 units**

Standard Features

- » **Modulating Burner with 10:1 Turndown**
Direct-Spark Ignition
Low-NOx Operation
- » **ASME Stainless Steel Heat Exchanger**
- » **Vertical & Horizontal Direct-Vent**
PVC, CPVC, Polypropylene or SS Venting up to 100 feet
- » **Condensate Trap**
- » **California Code Compliant**
- » **Other Features**
Automatic Reset High Limit
Adjustable High Limit w/Manual Reset
Wall-Mount Bracket
Zero Clearances to Combustible Materials
See Warranty for Details:
10 Year HEX Warranty
5 Year Parts Warranty

Optional Equipment

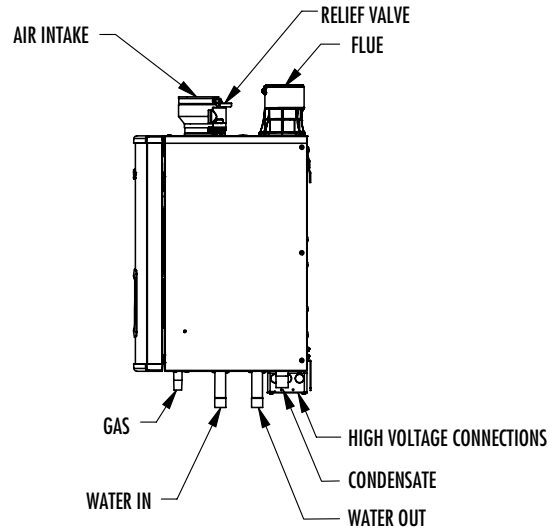
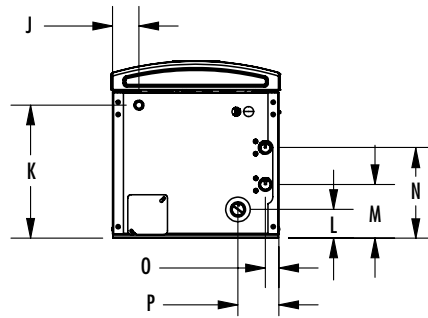
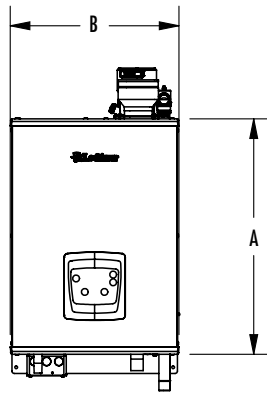
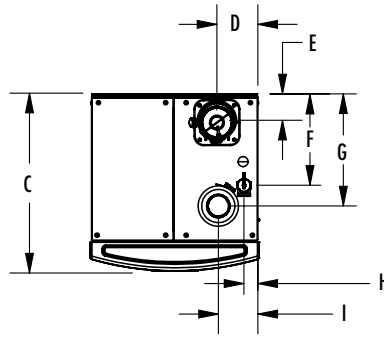
- Low-Water Cutoff w/Manual Reset & Test
- Concentric Vent Kit
- Condensate Neutralization Kit
- Sidewall Vent Termination
- Floor Stand
- Flow Switch
- Wireless Outdoor Sensor
- Nat to LP Gas Conversion Kit



DESIGNED ★ ENGINEERED ★ ASSEMBLED

USA

DIMENSIONS & SPECIFICATIONS



Model Number	INPUT		AFUE %	Heating Capacity MBH	Net MBH	A	B	C	D	E	F	G	H
	Min MBH	Max MBH											
NKB080N	8.3	80	95.0	74	64	24"	17-1/4"	17-1/4"	2-1/4"	5-1/8"	8-1/2"	5-1/8"	1-1/2"
NKB110N	11	110	95.0	102	89	24"	17-1/4"	18"	2-3/4"	2-7/8"	9"	5-1/2"	2-7/8"
NKB150N	15.0	150	95.0	139	125	24"	17-1/4"	18"	4-1/2"	2-3/4"	9-1/8"	11-3/4"	4-1/2"
NKB199N	19.9	199	95.0	185	161	24"	17-1/4"	18"	4-1/8"	2-3/4"	9-3/8"	11-1/2"	4"

Model Number (continued)	I	J	K	L	M	N	O	P	Gas Conn.	Water Conn.	Air Inlet	Vent Size	Shipping Wt. (lbs.)
NKB080N	1-1/2"	6-3/8"	12-5/8"	5-1/8"	4-5/8"	8-1/2"	1-1/2"	2-1/2"	1/2"	1"	2"	2"	120
NKB110N	2-7/8"	7-3/4"	13-1/8"	2-7/8"	5-1/2"	9"	2"	3"	1/2"	1"	3"	3"	126
NKB150N	4-1/2"	2-7/8"	13-1/8"	3"	5-3/8"	9-1/8"	1-7/8"	4-5/8"	1/2"	1"	3"	3"	132
NKB199N	4"	2-3/4"	13-1/2"	2-7/8"	5-1/2"	9-1/4"	1-3/8"	1-3/8"	1/2"	1"	3"	3"	140

NOTES:

- Information subject to change without notice. Change "N" to "L" for LP gas models.
- The Net AHRI Water Ratings shown are based on a piping and pickup allowance of 1.15.
- The ratings have been determined under the provisions governing forced draft burners.
- Lochinvar should be consulted before selecting a boiler for installations having unusual piping and pickup requirements, such as intermittent system operation, extensive piping systems, etc.



Lochinvar, LLC
 300 Maddox Simpson Parkway
 Lebanon, Tennessee 37090
 P: 615.889.8900 / F: 615.547.1000
 Lochinvar.com

