



Lochinvar Corporation  
 Nashville, Tennessee  
 615-889-8900 Fax: 615-547-1000  
 www.Lochinvar.com

**Wiring Diagrams  
 &  
 Electrical Data**  
**HP-WI-02**

**WIRING DIAGRAMS AND ELECTRICAL DATA FOR  
 STANDARD HI POWER® (HS AND HC) MODELS**

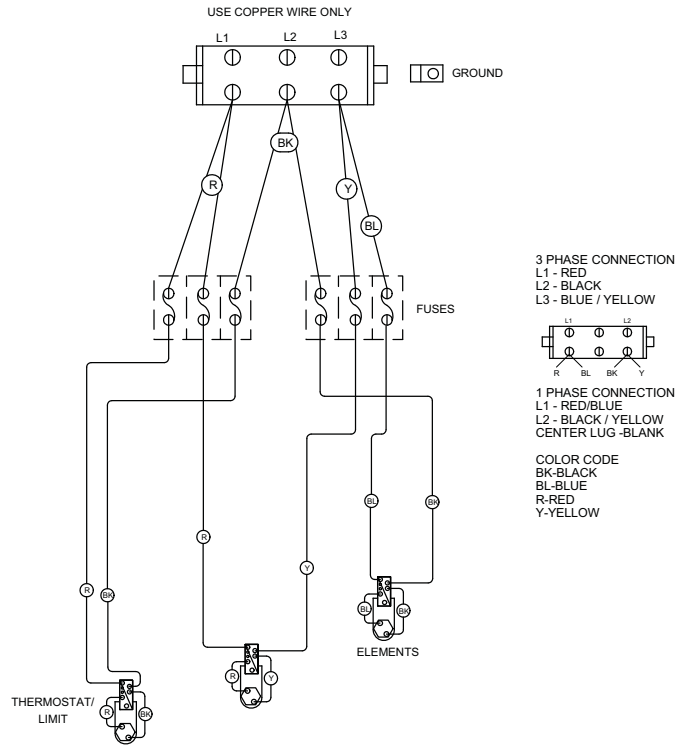
**AMP CHART**

Volts	Total KW Per Tank		Element		Total AMPS		Main Line Fuse		Field Wire Per Leg	
			KW	Quan.	1Ø	3Ø	1Ø	3Ø	1Ø	3Ø
208					43	25	55	35	6	8
240	9	3	3		38	22	50	30	6	10
277					33	-	45	-	8	-
480					19	11	25	15	10	14
208					58	33	75	45	4	8
240	12	4	3		50	29	70	40	4	8
277					43	-	60	-	6	-
480					25	14	35	20	8	12
208					72	42	90	60	3	6
240	15	5	3		63	36	80	50	4	8
277					54	-	70	-	4	-
480					32	18	40	25	8	10
208					87	50	110	70	2	6
240	18	3	6		75	43	100	60	3	6
277					65	-	90	-	4	-
480					38	22	50	30	6	10
208					87	50	110	70	2	6
240	18	6	3		75	43	100	60	3	6
277					65	-	90	-	4	-
480					38	22	50	30	6	10
208					115	67	150	90	1/0	4
240	24	4	6		100	58	120	80	1	4
277					87	-	110	-	3	-
480					50	29	70	40	6	8
208					130	75	175	100	2/0	3
240	27	3	9		113	65	150	90	1/0	4
277					97	-	125	-	1/0	-
480					56	33	70	45	4	8
208					130	75	175	100	2/0	3
240	27	4.5	6		113	65	150	90	1/0	4
277					97	-	125	-	1/0	-
480					56	33	70	45	4	8
208					144	83	200	110	3/0	2
240	30	5	6		125	72	175	90	2/0	3
277					108	-	150	-	1/0	-
480					63	36	80	45	4	8
208					173	100	225	125	4/0	1
240	36	6	6		150	87	200	110	3/0	2
277					130	-	175	-	2/0	-
480					75	44	100	60	3	6
208					216	125	300	175	300	2/0
240	45	5	9		188	108	250	150	250	1/0
277					162	-	225	-	4/0	-
480					94	54	125	70	1	4
208					260	150	350	200	2-2/0	3/0
240	54	6	9		225	130	300	175	2-1/0	2/0
277					195	-	250	-	250	-
480					113	65	150	90	1/0	4

# STANDARD HI-POWER® WIRING DIAGRAM

## SURFACE MOUNTED THERMOSTAT MODELS 3 ELEMENT HEATERS — 9-12-15-18 KW — 208, 240, 480 VOLT — 1 or 3 PHASE

TOTAL KW	PHASE	VOLTS	AMPS	ELEMENT KW	FUSE AMPS	INTERNAL WIRE
9	1	208	43	3	N/A	#10
9	3	208	25	3	N/A	#10
9	1	240	38	3	N/A	#10
9	3	240	22	3	N/A	#10
9	1	480	19	3	N/A	#12
9	3	480	11	3	N/A	#12
12	1	208	58	4	40	#10
12	3	208	33	4	N/A	#10
12	1	240	50	4	40	#10
12	3	240	29	4	N/A	#10
12	1	480	25	4	N/A	#12
12	3	480	14	4	N/A	#12
15	1	208	72	5	40	#10
15	3	208	42	5	N/A	#10
15	1	240	63	5	40	#10
15	3	240	36	5	N/A	#10
15	1	480	31	5	N/A	#12
15	3	480	18	5	N/A	#12
18	1	208	87	6	40	#10
18	3	208	50	6	40	#10
18	1	240	75	6	40	#10
18	3	240	43	6	N/A	#10
18	1	480	38	6	N/A	#12
18	3	480	22	6	N/A	#12



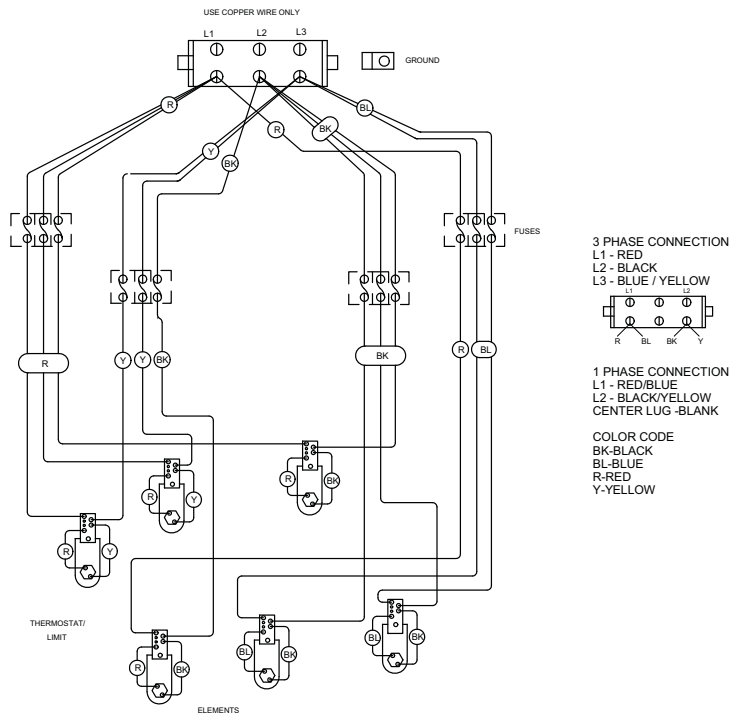
NOTE: SEE RATING PLATE FOR SUPPLY CONNECTION MINIMUM WIRE GAUGE. LBL7062 REV G

Fuses furnished on units with current draw in excess of 48 AMPS.

LBL7062 Rev. G

## SURFACE MOUNTED THERMOSTAT MODELS 6 ELEMENT HEATERS — 24-27-36 KW — 208, 240, 480 VOLT — 1 or 3 PHASE

TOTAL KW	PHASE	VOLTS	AMPS	ELEMENT KW	FUSE AMPS	INTERNAL WIRE
24	1	208	115	4	40	#10
24	3	208	67	4	40	#10
24	1	240	100	4	40	#10
24	3	240	58	4	40	#10
24	1	480	50	4	25	#12
24	3	480	29	4	N/A	#12
27	1	208	130	4.5	40	#10
27	3	208	75	4.5	40	#10
27	1	240	113	4.5	40	#10
27	3	240	65	4.5	40	#10
27	1	480	56	4.5	25	#12
27	3	480	32	4.5	N/A	#12
30	1	208	144	5	40	#10
30	3	208	83	5	40	#10
30	1	240	125	5	40	#10
30	3	240	72	5	40	#10
30	1	480	63	5	25	#12
30	3	480	36	5	N/A	#12
36	1	208	173	6	40	#10
36	3	208	100	6	40	#10
36	1	240	150	6	40	#10
36	3	240	87	6	40	#10
36	1	480	75	6	25	#12
36	3	480	43	6	N/A	#12



NOTE: SEE RATING PLATE FOR SUPPLY CONNECTION MINIMUM WIRE GAUGE. LBL7061 REV E

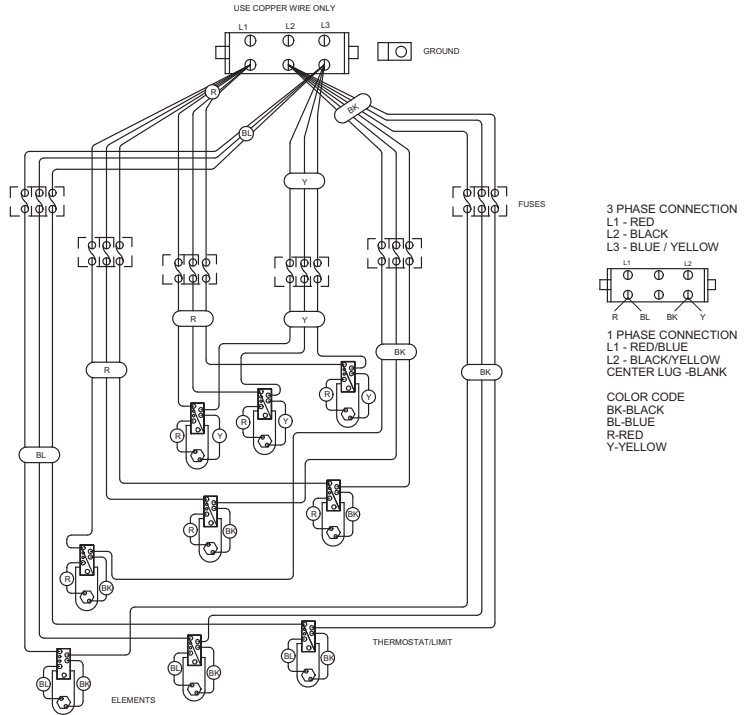
Fuses furnished on units with current draw in excess of 48 AMPS.

LBL7061 Rev. E

# STANDARD HI-POWER® WIRING DIAGRAM

## SURFACE MOUNTED THERMOSTAT MODELS 9 ELEMENT HEATERS — 45-54 KW — 208, 240, 480 VOLT — 1 or 3 PHASE

TOTAL KW	PHASE	VOLTS	AMPS	ELEMENT KW	FUSE AMPS	INTERNAL WIRE
45	1	208	216	5	40	#10
45	3	208	125	5	40	#10
45	1	240	188	5	40	#10
45	3	240	108	5	40	#10
45	1	480	94	5	25	#12
45	3	480	54	5	25	#12
54	1	208	260	6	40	#10
54	3	208	150	6	40	#10
54	1	240	225	6	40	#10
54	3	240	130	6	40	#10
54	1	480	113	6	25	#12
54	3	480	65	6	25	#12

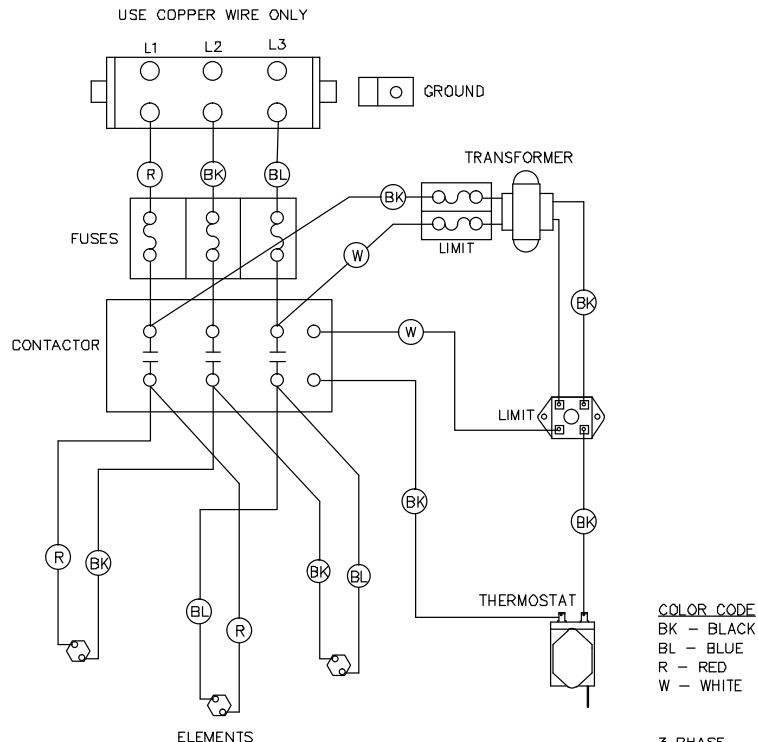


NOTE: SEE RATING PLATE FOR SUPPLY CONNECTION MINIMUM WIRE GAUGE. LBL7060 REV F

Fuses furnished on units with current draw in excess of 48 AMPS.

LBL7060 Rev. F

## IMMERSION THERMOSTAT/MAGNETIC CONTACTOR MODELS 3 ELEMENT HEATERS — 9-12-15-18 KW — 208, 240, 480 VOLT — 3 PHASE



LBL7063 REV. D

Fuses furnished on units with current draw in excess of 48 AMPS.

LBL7063 Rev. D

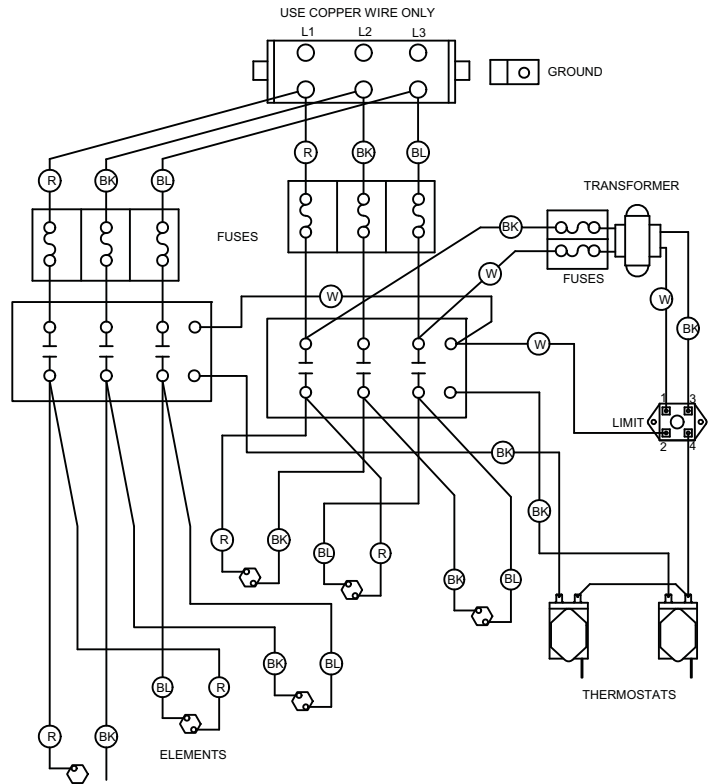
# STANDARD HI-POWER® WIRING DIAGRAM

## IMMERSION THERMOSTAT/MAGNETIC CONTACTOR MODELS 6 ELEMENT HEATERS — 27-36 KW — 208, 240, 480 VOLT — 3 PHASE

K2	PH	VOLTS	AMPS	ELEM KW	FUSES/AMPS	INTERNAL WIRING ELEMENT	PANEL
24	3	208	67	4.0	60	#10	#6
24	3	240	58	4.0	60	#10	#8
24	3	480	29	4.0	N/A	#12	#10
27	3	208	75	4.5	60	#10	#6
27	3	240	65	4.5	60	#10	#8
27	3	480	33	4.5	N/A	#12	#10
30	3	208	83	5.0	60	#10	#6
30	3	240	72	5.0	60	#10	#8
30	3	480	36	5.0	N/A	#12	#10
36	3	208	100	6.0	60	#10	#6
36	3	240	87	6.0	60	#10	#10
36	3	480	44	6.0	N/A	#12	#6

COLOR CODE 3 PHASE  
BK - BLACK L1 - RED  
BL - BLUE L2 - BLACK  
R - RED L3 - BLUE  
W - WHITE

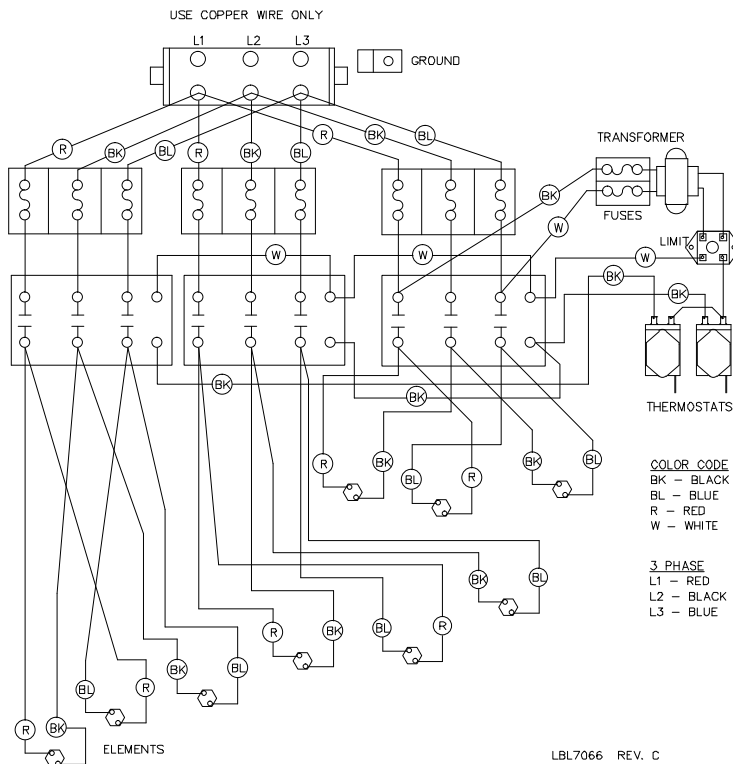
LBL7064 REV. E



Fuses furnished on units with current draw in excess of 48 AMPS.

LBL7064 Rev. E

## IMMERSION THERMOSTAT/MAGNETIC CONTACTOR MODELS 9 ELEMENT HEATERS — 45-54 KW — 208, 240, 480 VOLT — 3 PHASE



COLOR CODE  
BK - BLACK  
BL - BLUE  
R - RED  
W - WHITE

3 PHASE  
L1 - RED  
L2 - BLACK  
L3 - BLUE

LBL7066 REV. C

Fuses furnished on units with current draw in excess of 48 AMPS.

LBL7066 Rev. C