

# RESIDENTIAL GAS WATER HEATERS

*Lochinvar's Power Direct Vent residential gas models are available in 40, 50 and 75 gallon capacities, feature a power direct vent system for sidewall or rooftop termination.*

## WATER HEATERS POWER DIRECT VENT

### STANDARD FEATURES

**CODE COMPLIANCE** – Complies with the Federal Energy Conservation Standards effective April 16, 2015, in accordance with the Energy Policy and Conservation Act, (EPCA), as amended.

**POWER DIRECT VENT SYSTEM** – This 2-pipe closed combustion system utilizes a vent to exhaust the byproducts of combustion and a separate air intake to provide fresh combustion air. Vents through a sidewall or through the roof using 2", 3" or 4" PVC, CPVC or Polypropylene vent material. The design is Flammable Vapor Ignition Resistant.

**ELECTRONIC GAS CONTROL** – The gas valve features electronic ignition, control logic for precise temperature control and an LED status indicator for simplified service diagnostics.

**GLASS-LINED STEEL TANK** – The durable glass lining is fused to the steel tank at 1600°F to assure lasting protection against rust and corrosion while providing clear, clean hot water. 300 PSI test pressure; 150 PSI working pressure.

**NON-CFC FOAM INSULATION** – A uniform coverage of thick closed-cell foam insulation minimizes standby heat loss, maximizes heat retention and delivers a high Energy Factor.

**TANK SAVER ANODE** – A large diameter, high capacity anode inhibits corrosion of the tank interior for long, trouble-free service.

**HEAT TRAP** – Heat traps are built into the inlet and outlet connections to eliminate heat migration and heat loss in the water piping.

**SIGHT GLASS** – A built-in sight glass provides an unobstructed view of the burner and pilot flame.

**TEMPERATURE & PRESSURE RELIEF VALVE** – Factory installed for optimum safety.

**BRASS DRAIN VALVE** – An enhanced ball valve design for effective drainage and positive shut-off.

**6 YEAR LIMITED TANK & PARTS WARRANTY\*** – See warranty sheet for details.

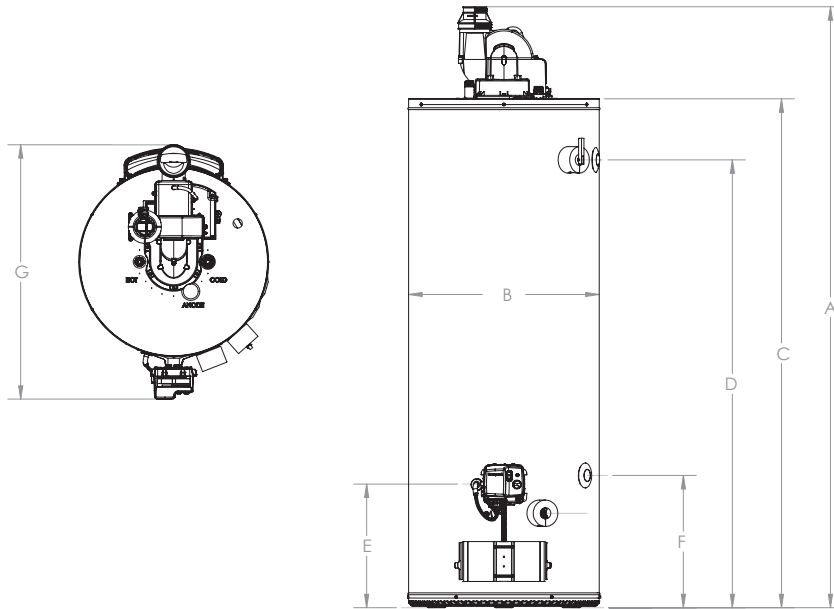
**10 YEAR EXTENDED WARRANTY** – Available for residential applications only.

*\* 1-year limited tank & parts warranty when installed in a commercial application.*



**Lochinvar**<sup>®</sup>  
HIGH EFFICIENCY BOILERS & WATER HEATERS

# DIMENSIONS AND SPECIFICATIONS



Model Number	Nominal Gal. Cap.	Rated Storage Btu/Hr Cap.	Input	UEF	1st Hr. Rating	GPH @ 90°F Rise	A	B	C	D	E	F	G	Gas Conn.	Vent Size	Air Intake	Water Conn.	Ship. Wt.
PRN040 40	40	38	40,000	0.68	74	45	58-1/4"	22"	49-3/4"	42-1/2"	13-1/4"	15-1/4"	30"	1/2"	2", 3" OR 4"	2", 3" OR 4"	3/4"	174
PRN050 45	50	48	45,000	0.72	81	50	67-1/2"	22"	58-3/4"	51-3/4"	13-1/4"	15-1/4"	30"	1/2"	2", 3" OR 4"	2", 3" OR 4"	3/4"	192
PRN050 65ST	50	48	62,000**	0.73	118	73	69"	22"	60-1/4"	52-3/4"	13-1/4"	15-1/4"	30"	1/2"	3" OR 4"	3" OR 4"	3/4"	200
PRN075 75ST	75	72	72,000	0.68	129	82	70-3/4"	26"	61-1/2"	53"	13-1/4"	15-1/4"	34"	1/2"	3" OR 4"	3" OR 4"	3/4"	277

**Notes:** Add "ST" to models PRN04040 & PRN05045 for optional side tappings. Replace "N" with "L" for LP gas models.

\*\* Propane model rated for 58,000 Btu/hr

## Certified for Potable Water and Space Heating Applications

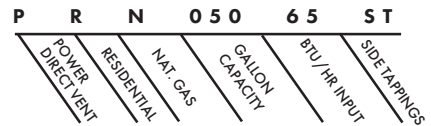
This water heater is suitable for water heating and space heating. Toxic chemicals, such as those used for boiler water treatment shall NEVER be introduced into this system. This water heater may NEVER be connected to any existing heating system or components previously used with non-potable water heating appliances.

Vent Kits	Part Number
2" Concentric Vent Kit	100112869
3" Concentric Vent Kit	100111100
2" Vent Kit *	100153232
High Ambient Air Kit **	100191116

\* Vent Kit includes: Coupling, Termination elbows and Sound Suppressor

\*\* High Ambient Air Kit must be installed with CPVC

### FOR EASE IN ORDERING BY MODEL NUMBER



This heater is a 62,000 Btu/hr Power Direct Vent natural gas water heater with a 50 gallon storage capacity and side tappings.

For technical information call 800-722-2101. Lochinvar, LLC reserves the right to make product changes or improvements without prior notice.



Lochinvar, LLC  
300 Maddox Simpson Parkway  
Lebanon, Tennessee 37090  
P: 615.889.8900 / F: 615.547.1000

[f](#) [in](#) [v](#) [i](#) [o](#) [i](#) [s](#) [t](#) [e](#) [c](#) [h](#) [e](#) [r](#) [e](#) [l](#) [l](#) [o](#) [c](#) [h](#) [i](#) [n](#) [v](#) [a](#) [r](#) [.c](#) [o](#) [m](#)

