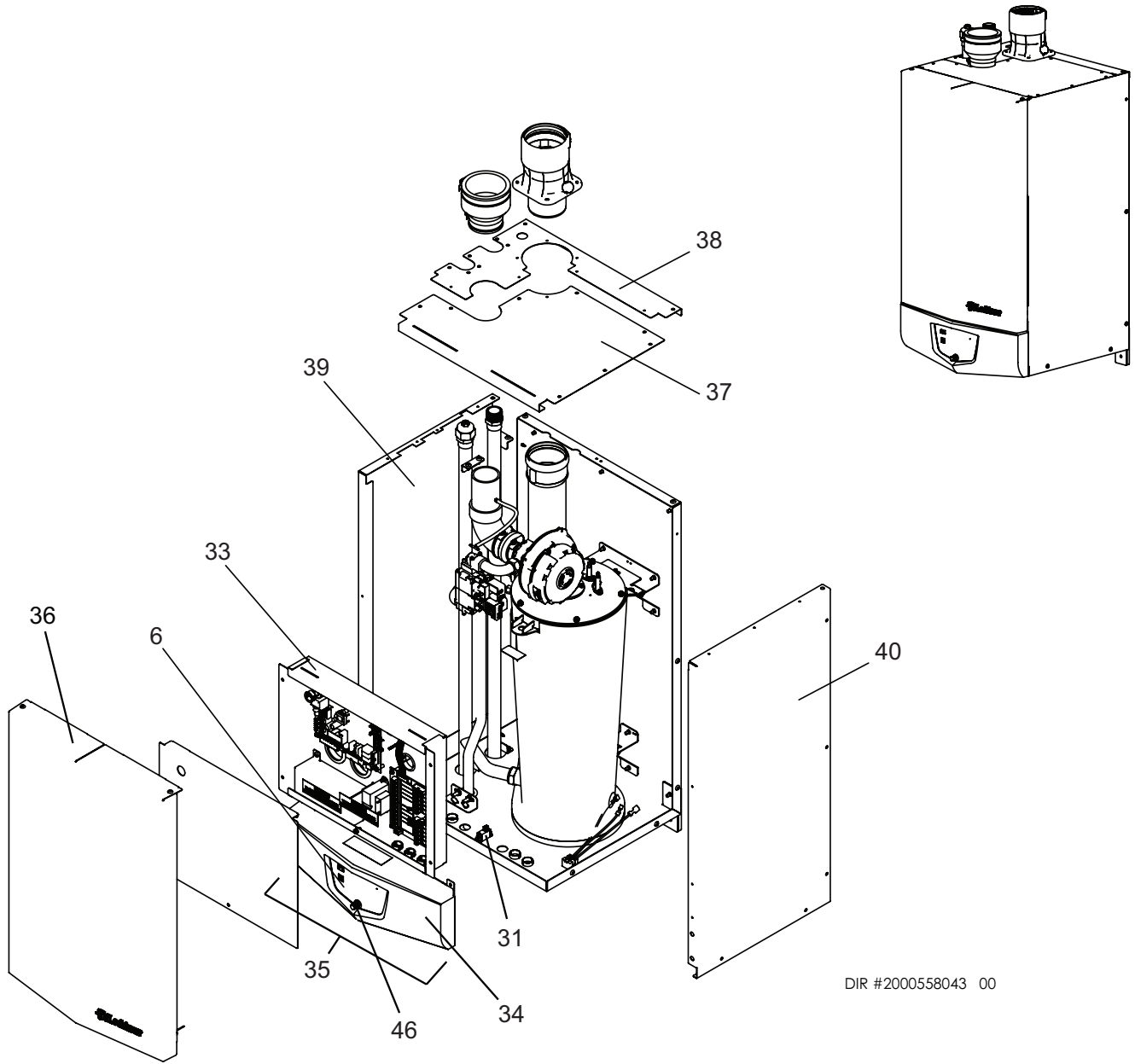




PARTS & SERVICE DEPARTMENT
 Nashville, Tennessee
 877-554-5544 • Fax: 615-882-2918
 parts_team@lochinvar.com
 www.Lochinvar.com

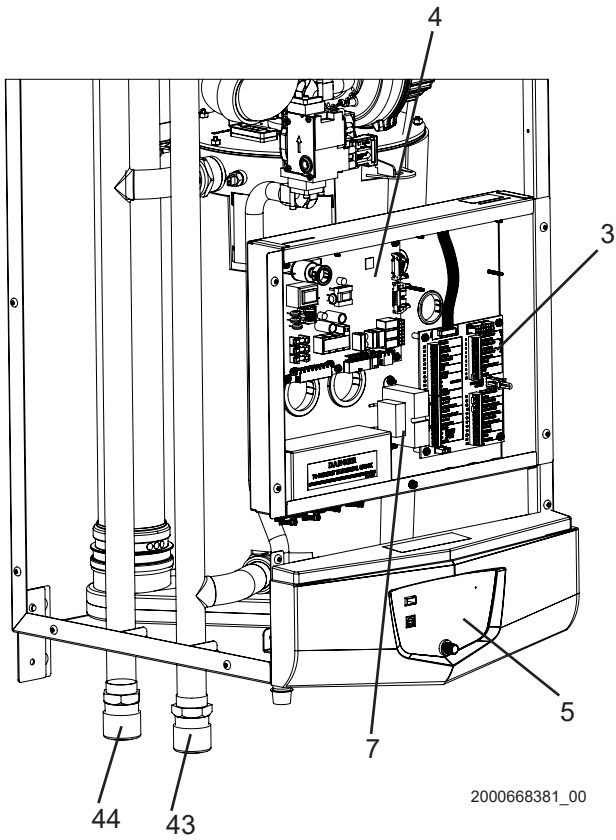
Replacement Parts List

Knight
Wall Mount Boilers
WHB 55 thru 399
Series 100-101, 110-111, & 120-121



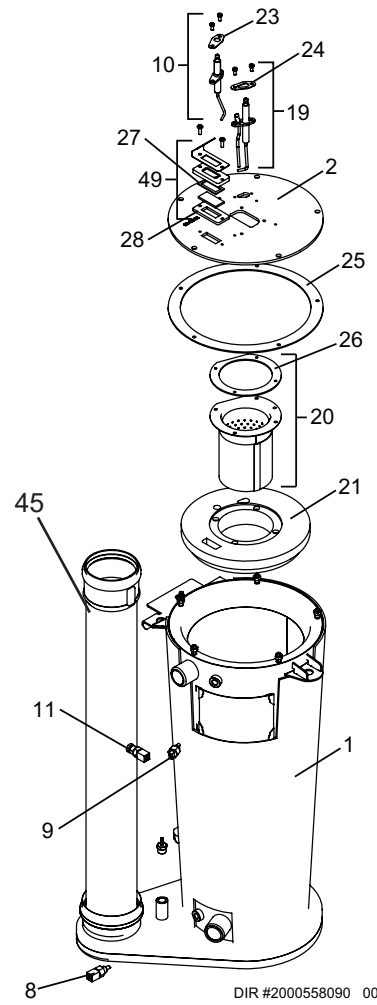
DIR #2000558043 00

CONTROL PANEL



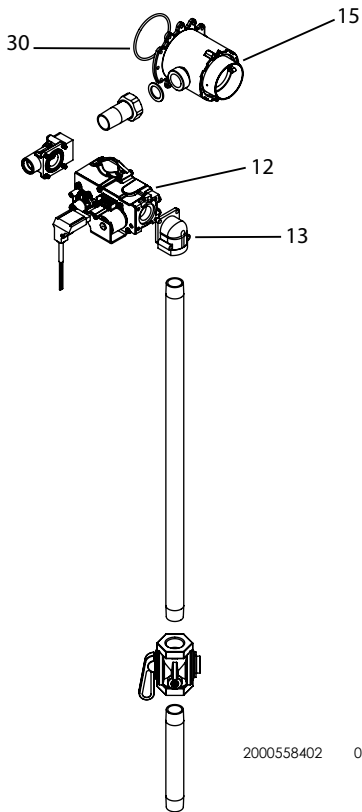
2000668381_00

HEAT EXCHANGER



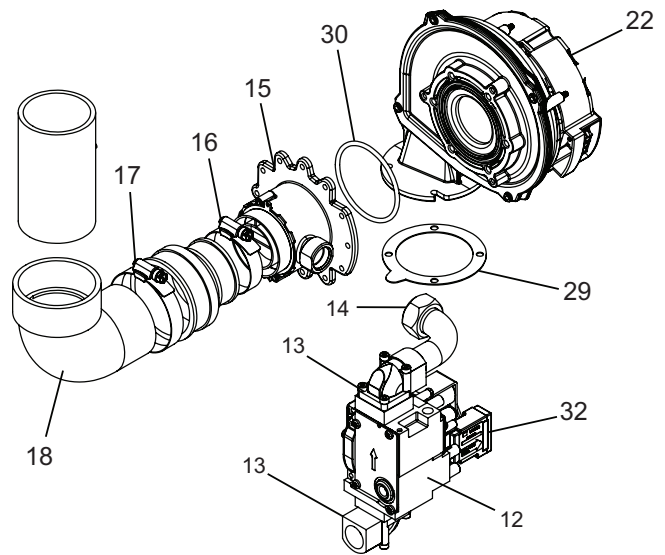
DIR #2000558090 00

GAS TRAIN - WHB399



2000558402 01

GAS TRAIN - WHB055 - 285



DIR #2000544243 00

ITEM NO.	PART NO.	DESCRIPTION	MODEL
HEAT EXCHANGER ASSEMBLY			
1	100266940	HEAT EXCHANGER - ASME - H STAMP - 55 MBH	WHB 055
1	100266951	HEAT EXCHANGER - ASME - H STAMP - 85 MBH	WHB 085
1	100350474	HEAT EXCHANGER - ASME - H STAMP - 110 MBH	WHB 110
1	100350476	HEAT EXCHANGER - ASME - H STAMP - 155 MBH	WHB 155
1	100350477	HEAT EXCHANGER - ASME - H STAMP - 199 MBH	WHB 199
1	100350478	HEAT EXCHANGER - ASME - H STAMP - 285 MBH	WHB 285
1	100350480	HEAT EXCHANGER - ASME - H STAMP - 399 MBH	WHB 399
2	100268111	HEAT EXCHANGER TOP PLATE ASSEMBLY	WHB 055 - 085
2	100268112	HEAT EXCHANGER TOP PLATE ASSEMBLY	WHB 110 - 155
2	100268113	HEAT EXCHANGER TOP PLATE ASSEMBLY	WHB 199 - 285
2	100173754	HEAT EXCHANGER TOP PLATE ASSEMBLY	WHB 399
CONTROLS & ELECTRICAL COMPONENTS			
3	100277940*	LOW VOLTAGE CONNECTION BOARD	ALL
4	100304134*	MAIN CONTROL BOARD	WHB 055
4	100304135*	MAIN CONTROL BOARD	WHB 085
4	100304136*	MAIN CONTROL BOARD	WHB 110
4	100304137*	MAIN CONTROL BOARD	WHB 155
4	100304138*	MAIN CONTROL BOARD	WHB 199
4	100304140*	MAIN CONTROL BOARD	WHB 285
4	100304165*	MAIN CONTROL BOARD - SERIES 100 THRU 110	WHB 399
4	100352848	MAIN CONTROL BOARD - SERIES 120	WHB 399
4	100304141	MAIN CONTROL BOARD, HIGH ALTITUDE	WHB 055
4	100304142	MAIN CONTROL BOARD, HIGH ALTITUDE	WHB 085
4	100304144	MAIN CONTROL BOARD, HIGH ALTITUDE	WHB 110
4	100304145	MAIN CONTROL BOARD, HIGH ALTITUDE	WHB 155
4	100304116	MAIN CONTROL BOARD, HIGH ALTITUDE	WHB 199
4	100304117	MAIN CONTROL BOARD, HIGH ALTITUDE	WHB 285
4	100304167	MAIN CONTROL BOARD, HIGH ALTITUDE - SERIES 100 THRU 110	WHB 399
4	100352849	MAIN CONTROL BOARD, HIGH ALTITUDE - SERIES 120	WHB 399
5	100304118*	USER INTERFACE CONTROL	ALL
6	100304185	LABEL, USER INTERFACE OVERLAY	ALL
7	100208230	TRANSFORMER, 120 X 24V, 40VA, 60HZ	ALL
-	100208808*	FUSE, TIME DELAY, 1.25A, 250V, CLASS T	ALL
-	100208231*	FUSE, TIME DELAY, 3.15A, 250V, CLASS T	ALL
-	100290102*	FUSE, TIME DELAY, 6.3A, 250V, CLASS T	ALL
-	100304120*	LINE VOLTAGE RECEPTACLE	ALL
SENSORS			
8	100208560*	SENSOR, IMMERSION / INLET	ALL
9	100208547*	SENSOR, IMMERSION / OUTLET	ALL
10	100165930*	SENSOR, FLAMES W/ GASKET & SCREWS	ALL
11	100275527*	SENSOR, FLUE TEMP W/ GROMMET	ALL
-	100157775*	SENSOR, SYSTEM W/ BULB WELL & SLEEVE	ALL
-	100208552	SENSOR, SYSTEM, T-STAT ONLY	ALL
-	100208569	BULB WELL, 1/4" NPT	ALL
-	100208834*	SENSOR KIT, OUTDOOR AIR	ALL
GAS VALVES & COMPONENTS			
12	100268028*	GAS VALVE W/ FLANGE & SCREWS	WHB 055
12	100268029*	GAS VALVE W/ FLANGE & SCREWS	WHB 085
12	100268030*	GAS VALVE W/ FLANGE & SCREWS	WHB 110
12	100268031*	GAS VALVE W/ FLANGE & SCREWS	WHB 155
12	100268032*	GAS VALVE W/ FLANGE & SCREWS	WHB 199
12	100268033*	GAS VALVE W/ FLANGE & SCREWS	WHB 285
12	100171950*	GAS VALVE W/ VENTURI & LP ORIFICE - SERIES 100 THRU 110	WHB 399
12	100350334	GAS VALVE - SERIES 120	WHB 399
13	100275534	FLANGE, GAS VALVE W/ GASKET	WHB 055 - 285
13	100287896	FLANGE, GAS VALVE W/ GASKET	WHB 399
14	100287150	ADAPTER, UNION, G3/4 W/ GASKET	WHB 055 - 085, 285
14	100329770	ADAPTER, UNION, G3/4 W/ GASKET	WHB 110 - 199
15	100287149	VENTURI W/ GASKETS - NATURAL	WHB 055 - 085
15	100287147	VENTURI W/ GASKETS - NATURAL	WHB 110

PLEASE HAVE MODEL AND SERIAL NUMBER WHEN ORDERING PARTS
*ITEMS DENOTE SUGGESTED INVENTORY PARTS

ITEM NO.	PART NO.	DESCRIPTION	MODEL
GAS VALVE & COMPONENTS (CONTINUED)			
15	100287145	VENTURI W/ GASKETS - NATURAL	WHB 155
15	100287143	VENTURI W/ GASKETS - NATURAL	WHB 199
15	100287142	VENTURI W/ GASKETS - NATURAL	WHB 285
15	100350335	VENTURI W/ GASKETS - NATURAL - SERIES 120	WHB 399
15	100287130	VENTURI W/ GASKETS - LP	WHB 055
15	100287129	VENTURI W/ GASKETS - LP	WHB 085
15	100287127	VENTURI W/ GASKETS - LP	WHB 110
15	100287126	VENTURI W/ GASKETS - LP	WHB 155
15	100287124	VENTURI W/ GASKETS - LP	WHB 199
15	100287123	VENTURI W/ GASKETS - LP	WHB 285
16	100275550	COUPLING, VENTURI W/ CLAMPS	WHB 055 - 199
16	100287122	COUPLING, VENTURI W/ CLAMPS	WHB 285 - 399
17	100287121	COUPLING, AIR INLET - 2"	WHB 055 - 085
17	100275561	COUPLING, AIR INLET - 3"	WHB 110 - 285
17	100287120	COUPLING, AIR INLET - 4"	WHB 399
-	100208326	HOSE BARB, BRASS, 10 32 X 1/8 NPT	ALL
18	100287118	ELBOW, AIR INLET	WHB 055 - 155
18	100287117	ELBOW, AIR INLET	WHB 110
18	100287116	ELBOW, AIR INLET	WHB 199
18	100287115	ELBOW, AIR INLET	WHB 285
18	100287114	ELBOW, AIR INLET	WHB 399
-	100284237	AIR SHUTTER W/ GASKETS - LP	WHB 055 - 085
-	100287022	AIR SHUTTER W/ GASKETS - LP	WHB 110
-	100287020	AIR SHUTTER W/ GASKETS - LP	WHB 155
-	100284239	AIR SHUTTER W/ GASKETS - LP	WHB 199 - 285
-	100287017	ORIFICE, VALVE - LP	WHB 110
-	100287011	ORIFICE, VALVE - LP	WHB 155 - 199
IGNITION & BURNER ASSEMBLIES			
19	100165925*	IGNITOR, SPARK W/ GASKET	ALL
20	100267965	MAIN BURNER ASSEMBLY, 55 - 85K BTU MODELS	WHB 055 - 085
20	100267967	MAIN BURNER ASSEMBLY, 110 - 155K BTU MODELS	WHB 110 - 155
20	100267968	MAIN BURNER ASSEMBLY, 199 - 285K BTU MODELS	WHB 199 - 285
20	100135269	MAIN BURNER ASSEMBLY, 399K BTU MODELS - SERIES 100 THRU 110	WHB 399
20	100368941	MAIN BURNER ASSEMBLY, 399K BTU MODELS - SERIES 120	WHB 399
21	100287088	INSULATION, BURNER / TOP PLATE	WHB 055 - 085
21	100287087	INSULATION, BURNER / TOP PLATE	WHB 110 - 155
21	100287086	INSULATION, BURNER / TOP PLATE	WHB 199 - 285
21	100287085	INSULATION, BURNER / TOP PLATE - SERIES 100 THRU 110	WHB 399
21	100350338	INSULATION, BURNER / TOP PLATE - SERIES 120	WHB 399
FAN ASSEMBLIES			
22	100266999*	FAN ASSEMBLY W/ GASKETS, 120V, 60HZ	WHB 055 - 155
22	100145008*	FAN ASSEMBLY W/ GASKETS, 120V, 60HZ - SERIES 100	WHB 199 - 285
22	100267000*	FAN ASSEMBLY W/ GASKETS, 120V, 60HZ - SERIES 110	WHB 199 - 399
22	100327468	FAN ASSEMBLY W/ GASKETS, 120V, 60HZ - SERIES 120	WHB 399
GASKETS & GASKET KITS			
23	100208091	GASKET, FLAME SENSOR	ALL
-	100208321	GROMMET, FLUE SENSOR	ALL
-	100275538	GASKET, GAS VALVE	ALL
24	100208086	GASKET, SPARK IGNITOR	ALL
25	100287111*	GASKET, HEAT EXCHANGER TOP PLATE	WHB 055 - 085
25	100287096*	GASKET, HEAT EXCHANGER TOP PLATE	WHB 110 - 155
25	100287094*	GASKET, HEAT EXCHANGER TOP PLATE	WHB 199 - 285
26	100287092*	GASKET, BURNER	WHB 055 - 085
26	100287091*	GASKET, BURNER	WHB 110 - 155
26	100287090*	GASKET, BURNER	WHB 199 - 285
26	100278095*	GASKET SET, BURNER, HEAT EXCHANGER, SIGHT GLASS - LOWER	WHB 399
27	100274752	GASKET, SIGHT GLASS - UPPER	WHB 055 - 285
27	100233667	GASKET, SIGHT GLASS - UPPER	WHB 399
28	100274751	GASKET, SIGHT GLASS - LOWER	WHB 055 - 285
PLEASE HAVE MODEL AND SERIAL NUMBER WHEN ORDERING PARTS			
*ITEMS DENOTE SUGGESTED INVENTORY PARTS			

ITEM NO.	PART NO.	DESCRIPTION	MODEL
GASKETS & GASKET KITS (CONTINUED)			
29	100208101*	GASKET, FAN	ALL
30	100277743*	GASKET, VENTURI	WHB 055 - 155
30	100208761*	GASKET, VENTURI	WHB 199 - 399
-	100287071	GASKET, WATER PIPE - 1"	WHB 055 - 155
-	100278051	GASKET, WATER PIPE - 1-1/4"	WHB 199 - 285
-	100287067	GASKET, WATER PIPE - 1-1/2"	WHB 399
SWITCHES			
31	100208242	SWITCH, ON/OFF W/ I-O SYMBOL	ALL
32	100275533	SWITCH, GAS VALVE ON/OFF	ALL
33	100287155*	SWITCH, PRESSURE - 3.2" WC	WHB 055 - 155
33	100275596*	SWITCH, PRESSURE - 4.1" WC	WHB 199 - 399
RELIEF, TEMP. & PRESSURE, & MISC. VALVES			
-	100208449	RELIEF VALVE, PRESSURE, 3/4 MALE, 30 PSI, 510MBTU	WHB 055 - 285
-	100284289	RELIEF VALVE, PRESSURE, 3/4 FEMALE, 30 PSI, 510MBTU	WHB 399
-	100287083	VALVE, COIN VENT, 150 PSI	WHB 055 - 285
-	100167445	VALVE, AIR VENT, MANUAL	WHB 399
WIRE HARNESES & RIBBON CABLES			
-	100304119	HARNESS, POWER	ALL
-	100286988	HARNESS, UNIT	WHB 055 - 285
-	100286987	HARNESS, UNIT	WHB 399
-	100208620	HARNESS, IGNITOR	ALL
-	100278061	HARNESS, FLAME SENSOR	ALL
-	100286981	HARNESS, CONNECTION BOARD	ALL
-	100208637	HARNESS, GAS VALVE - SERIES 100 THRU 110	WHB 399
-	100208636	CABLE, RIBBON	ALL
JACKET ASSEMBLY			
34	100286959	BEZEL, DISPLAY	WHB 055 - 285
34	100278093	BEZEL, DISPLAY	WHB 399
35	100304184	DISPLAY BEZEL ASSEMBLY	WHB 055 - 285
35	100304161	DISPLAY BEZEL ASSEMBLY	WHB 399
36	100304189	JACKET, OUTER FRONT DOOR ASSEMBLY	WHB 055 - 285
36	100304148	JACKET, OUTER FRONT DOOR ASSEMBLY - SERIES 100 THRU 110	WHB 399
36	100350339	JACKET, OUTER FRONT DOOR ASSEMBLY - SERIES 120	WHB 399
37	100304196	JACKET, OUTER TOP FRONT	WHB 055 - 085
37	100304198	JACKET, OUTER TOP FRONT	WHB 110 - 155
37	100304199	JACKET, OUTER TOP FRONT	WHB 199
37	100304200	JACKET, OUTER TOP FRONT	WHB 285
37	100304150	JACKET, OUTER TOP FRONT - SERIES 100 THRU 110	WHB 399
37	100350340	JACKET, OUTER TOP FRONT - SERIES 120	WHB 399
38	100304192	JACKET, OUTER TOP BACK	WHB 055 - 085
38	100304193	JACKET, OUTER TOP BACK	WHB 110 - 155
38	100304194	JACKET, OUTER TOP BACK	WHB 199
38	100304195	JACKET, OUTER TOP BACK	WHB 285
38	100304149	JACKET, OUTER TOP BACK - SERIES 100 THRU 110	WHB 399
38	100350351	JACKET, OUTER TOP BACK - SERIES 120	WHB 399
39	100286909	JACKET, LEFT SIDE PANEL	WHB 055 - 085
39	100286907	JACKET, LEFT SIDE PANEL	WHB 110 - 199
39	100286903	JACKET, LEFT SIDE PANEL	WHB 285
39	100304172	JACKET, LEFT SIDE PANEL - SERIES 100 THRU 110	WHB 399
39	100350352	JACKET, LEFT SIDE PANEL - SERIES 120	WHB 399
40	100286899	JACKET, RIGHT SIDE PANEL	WHB 055 - 085
40	100286897	JACKET, RIGHT SIDE PANEL	WHB 110 - 199
40	100286894	JACKET, RIGHT SIDE PANEL	WHB 285
40	100304147	JACKET, RIGHT SIDE PANEL - SERIES 100 THRU 110	WHB 399
40	100350353	JACKET, RIGHT SIDE PANEL - SERIES 120	WHB 399
-	100304188	COVER PANEL, JUNCTION BOX	ALL
PUMPS			
-	100304109*	PUMP ASSEMBLY, 0-10 VDC, UPML, 1" FLANGE	WHB 055 - 155
-	100304110*	PUMP ASSEMBLY, 0-10 VDC, UPMXL, 1-1/4" FLANGE	WHB 199 - 285

PLEASE HAVE MODEL AND SERIAL NUMBER WHEN ORDERING PARTS
***ITEMS DENOTE SUGGESTED INVENTORY PARTS**

ITEM NO.	PART NO.	DESCRIPTION	MODEL
PUMPS (CONTINUED)			
-	100304162*	PUMP ASSEMBLY, 0-10 VDC, UPMXL, 1-1/2" FLANGE	WHB 399
-	100304131*	FLANGE KIT, 1" NPT, CAST IRON	WHB 055 - 155
-	100304132*	FLANGE KIT, 1-1/4" NPT, CAST IRON	WHB 199 - 285
-	100304186*	FLANGE KIT, 1-1/2" NPT, CAST IRON	WHB 399
MISCELLANEOUS COMPONENTS			
41	100189215*	SIGHT GLASS KIT	WHB 055 - 285
41	100163214*	SIGHT GLASS KIT	WHB 399
42	100287113	MIRROR, SIGHT GLASS	WHB 055 - 285
42	100287112	MIRROR, SIGHT GLASS	WHB 399
43	100287082	WATER TUBE, INLET, COP, 1"	WHB 055 - 085
43	100287080	WATER TUBE, INLET, COP, 1"	WHB 110 - 155
43	100287079	WATER TUBE, INLET, COP, 1-1/4"	WHB 199 - 285
43	100287078	WATER TUBE, INLET, COP, 1-1/2"	WHB 399
44	100287077	WATER TUBE, OUTLET, COP, 1"	WHB 055 - 085
44	100287075	WATER TUBE, OUTLET, COP, 1"	WHB 110 - 155
44	100287074	WATER TUBE, OUTLET, COP, 1-1/4"	WHB 199 - 285
44	100287073	WATER TUBE, OUTLET, COP, 1-1/2"	WHB 399
-	100284286	CONDENSATE TRAP	ALL
-	100287066	PIPE, CONDENSATE TRAP	ALL
-	100304190	INSTALL KIT	WHB 055 - 155
-	100304191	INSTALL KIT	WHB 199 - 285
-	100304164	INSTALL KIT	WHB 399
-	100304106	ADAPTER, PVC TO POLYPROPYLENE - 2"	WHB 055 - 085
-	100304107	ADAPTER, PVC TO POLYPROPYLENE - 3"	WHB 110 - 285
-	100304169	ADAPTER, PVC TO POLYPROPYLENE - 4"	WHB 399
45	100304108	PIPE, FLUE, POLYPROPYLENE - 2"	WHB 055 - 085
45	100304187	PIPE, FLUE, POLYPROPYLENE - 3"	WHB 110 - 285
45	100304171	PIPE, FLUE, POLYPROPYLENE - 4"	WHB 399
46	100277824	KNOB, FLUTED W/ SKIRT	ALL
-	100286989	BRACKET, WALL MOUNT	ALL
-	100304133	HOSE BARB, 1/8 X 1/4 NPT, BRASS	ALL
-	100284284	ADAPTER, FLUE W/ ANALYZER PORT - 2"	WHB 055 - 085
-	100275600	ADAPTER, FLUE W/ ANALYZER PORT - 3"	WHB 110 - 285
-	100304170	ADAPTER, FLUE W/ ANALYZER PORT - 4"	WHB 399
-	100208152	GAUGE, T&P, 0-75 PSI, 50-320F, 2-1/2 X 3/8	ALL
-	100163203	BIRD SCREEN, SS - 2"	WHB 055 - 110
-	100163204	BIRD SCREEN, SS - 3"	WHB 155 - 285
-	100163205	BIRD SCREEN, SS - 4"	WHB 399
-	100268040	LP CONVERSION KIT	WHB 055
-	100268104	LP CONVERSION KIT	WHB 085
-	100285815	LP CONVERSION KIT	WHB 110
-	100285817	LP CONVERSION KIT	WHB 155
-	100285818	LP CONVERSION KIT	WHB 199
-	100268109	LP CONVERSION KIT	WHB 285
-	100159011	LP CONVERSION KIT - SERIES 110	WHB 399
-	100350354	LP CONVERSION KIT - SERIES 120	WHB 399
-	100157609	SIDEWALL VENT KIT - 2" DIA	WHB 055 - 110
-	100157610	SIDEWALL VENT KIT - 3" DIA	WHB 155 - 285
-	100157611	SIDEWALL VENT KIT - 4" DIA	WHB 399

PLEASE HAVE MODEL AND SERIAL NUMBER WHEN ORDERING PARTS
***ITEMS DENOTE SUGGESTED INVENTORY PARTS**

NOTES

